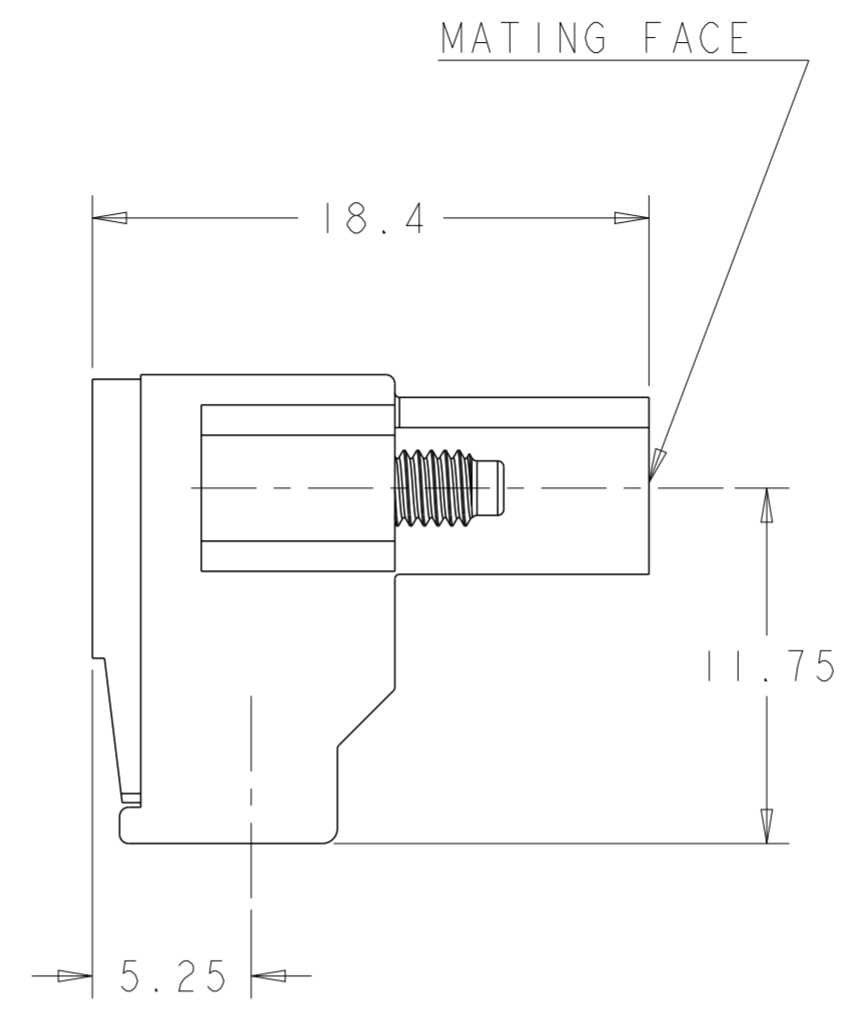
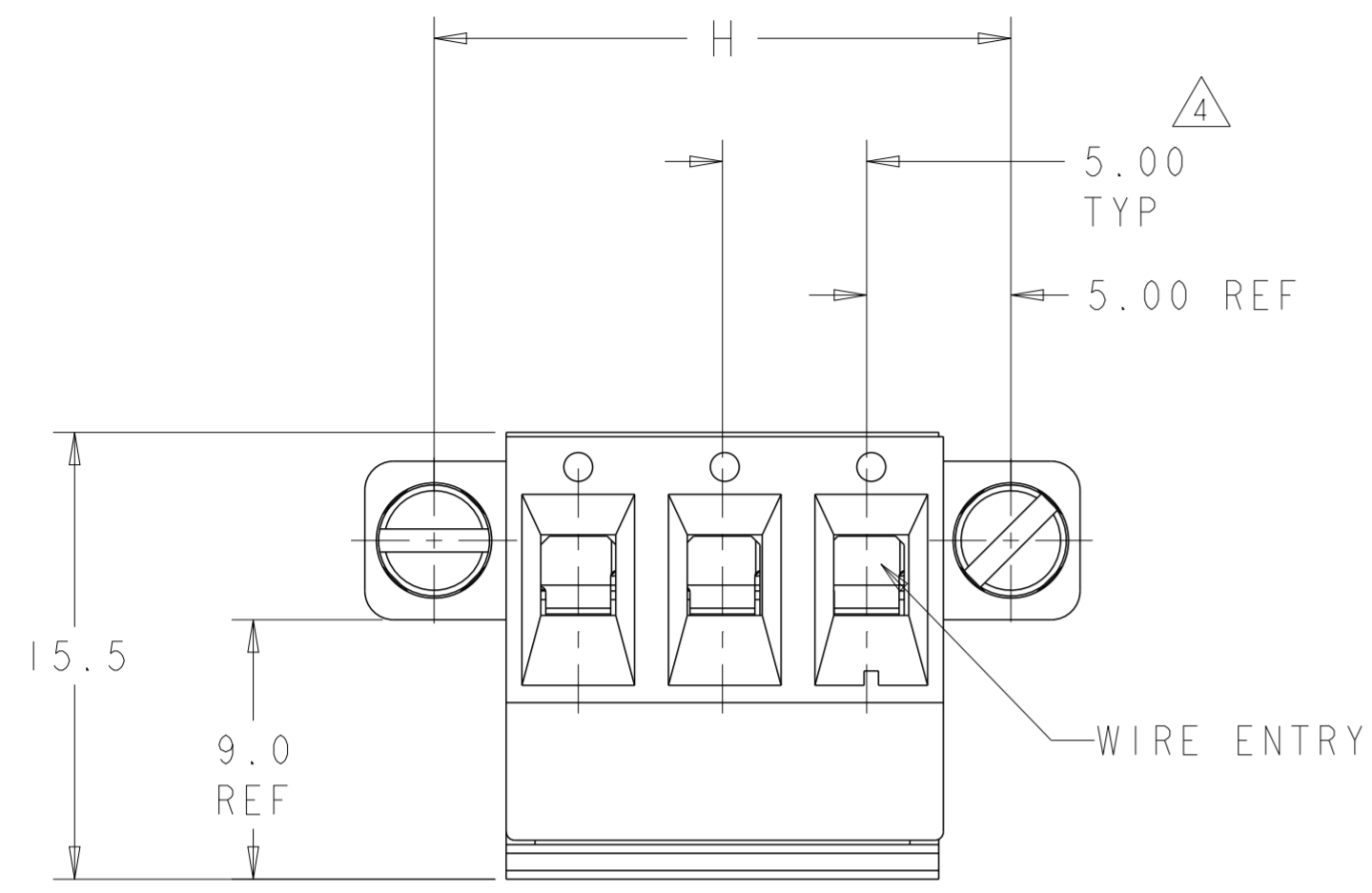


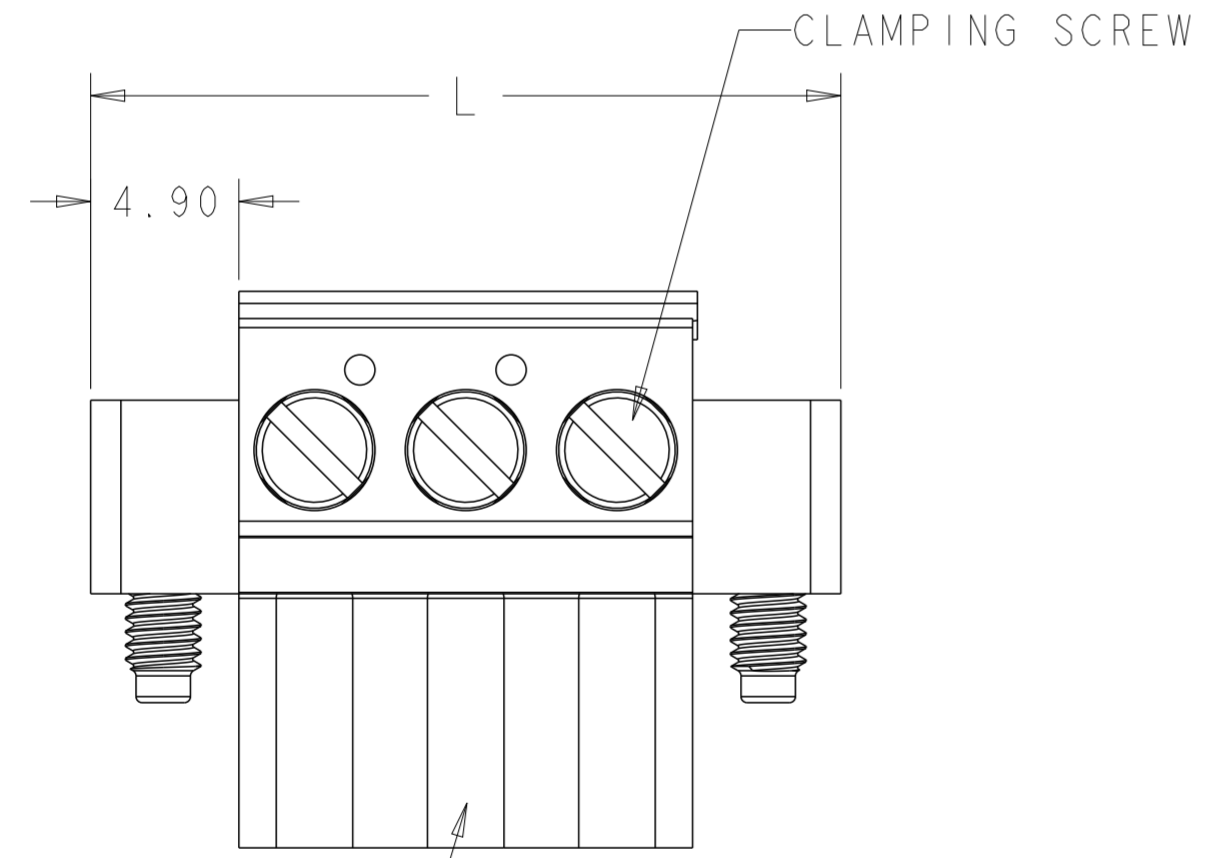
THIS DRAWING IS UNPUBLISHED. RELEASED FOR PUBLICATION 20  
 © COPYRIGHT 20 BY - ALL RIGHTS RESERVED.

REVISIONS				
P	LTR	DESCRIPTION	DATE	APVD
	BI	NEW PN FOR 9 AND 10 POS. ADDED	27JAN2015	PS JK

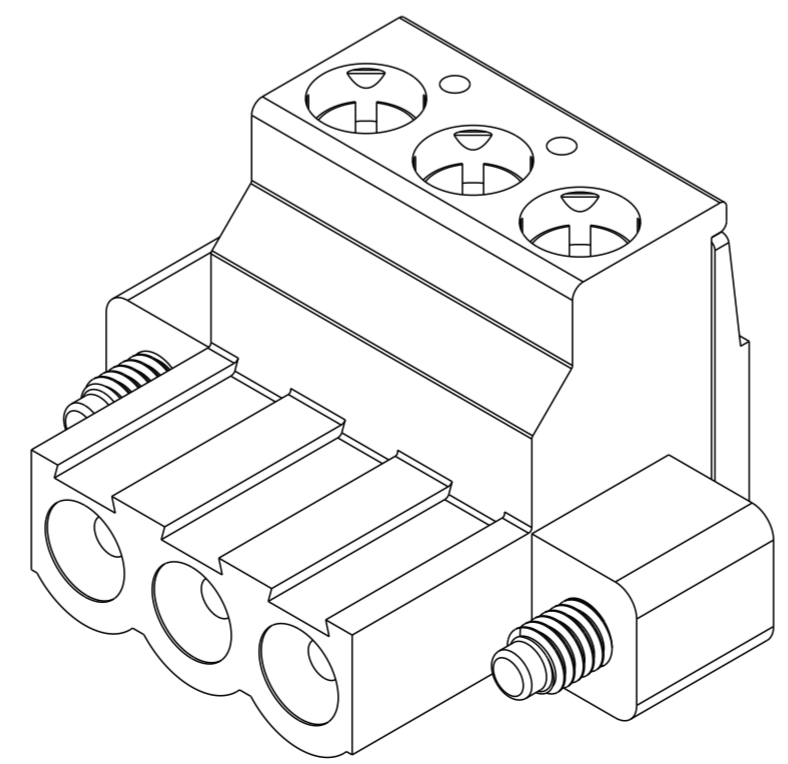


NOTES:

- MATERIALS & FINISH  
 HOUSING : PA6.6 , UL94 V0, COLOR -GREEN  
 SCREW M3 : BRASS, NICKEL PLATED  
 CLAMP : BRASS, NICKEL PLATED  
 CONTACT : PHOSPHOR BRONZE , TIN PLATED
- RECOGNIZED UNDER THE COMPONENT PROGRAM OF UNDERWRITERS LABORATORIES INC. FILE No. E60677.
- IMQ CERTIFICATE WITH SURVEILLANCE ON CONFORMITY WITH IEC 998-1/998-2-1.
- NOT CUMULATIVE TOLERANCE.
- MECHANICAL  
 INSERTION FORCE PER POLE : MAX 3N  
 WITHDRAWAL FORCE PER POLE : MIN 1.5 N  
 RECOMMENDED/ HIGHEST TIGHTENING TORQUE: 0.5/0.6 Nm  
 WIRE STRIPPING LENGTH: 6.0 TO 7.5mm
- ELECTRICAL  
 WIRE RANGE : 30 - 12 AWG  
 MAX. VOLTAGE : 300 V  
 MAX CURRENT : 15 A  
 CONTACT RESISTANCE : <15 m Ohm  
 INSULATION RESISTANCE : > 1000 M Ohm (500V DC)
- OPERATING TEMPERATURE RANGE: -40°C TO +110°C



POLARIZATION KEY SLOT



59.8	55.0	10	1-796858-0
54.8	50.0	9	796858-9
49.8	45.0	8	796858-8
44.8	40.0	7	796858-7
39.8	35.0	6	796858-6
34.8	30.0	5	796858-5
29.8	25.0	4	796858-4
24.8	20.0	3	796858-3
19.8	15.0	2	796858-2
L	H	NO. OF POSN	PART NUMBER

THIS DRAWING IS A CONTROLLED DOCUMENT.

DIMENSIONS: mm	TOLERANCES UNLESS OTHERWISE SPECIFIED: 0 PLC ± 1 PLC ±0.2 2 PLC ±0.15 3 PLC ± 4 PLC ± ANGLES ±2° FINISH	DWN S. WELDON 12FEB2001 CHK D. BIEVENOUR 12FEB2001 APVD D. BIEVENOUR 12FEB2001	NAME PRODUCT SPEC APPLICATION SPEC WEIGHT	TE Connectivity TERMINAL BLOCK, PLUG, 90 DEG, WITH SCREW LOCKING FLANGE 5.00mm PITCH SIZE A2 CAGE CODE 00779 DRAWING NO C-796858 RESTRICTED TO
MATERIAL		Customer Drawing	SCALE 4:1	SHEET 1 OF 1 REV BI

单击下面可查看定价，库存，交付和生命周期等信息

[>>TE Connectivity\(泰科\)](#)