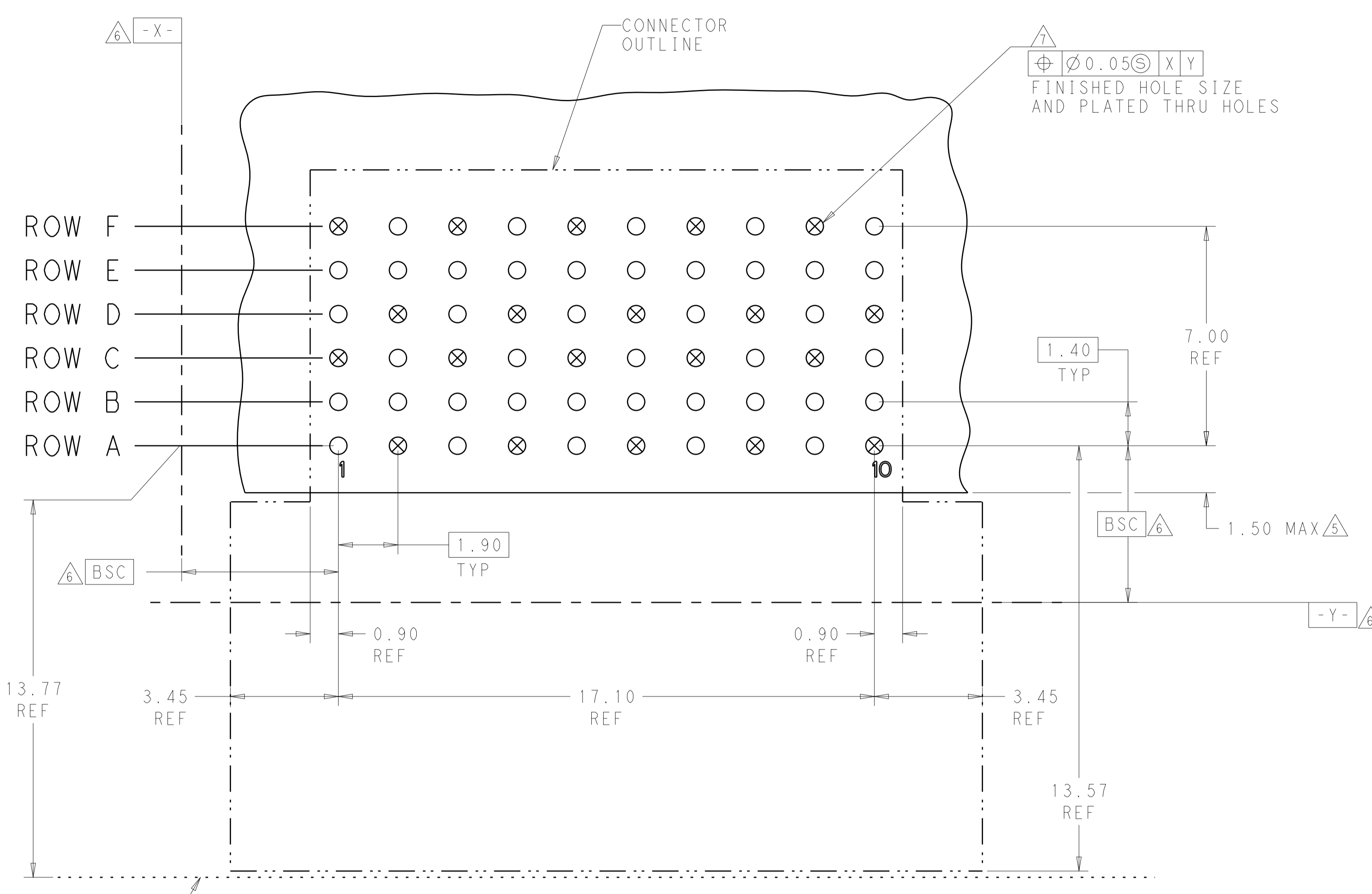


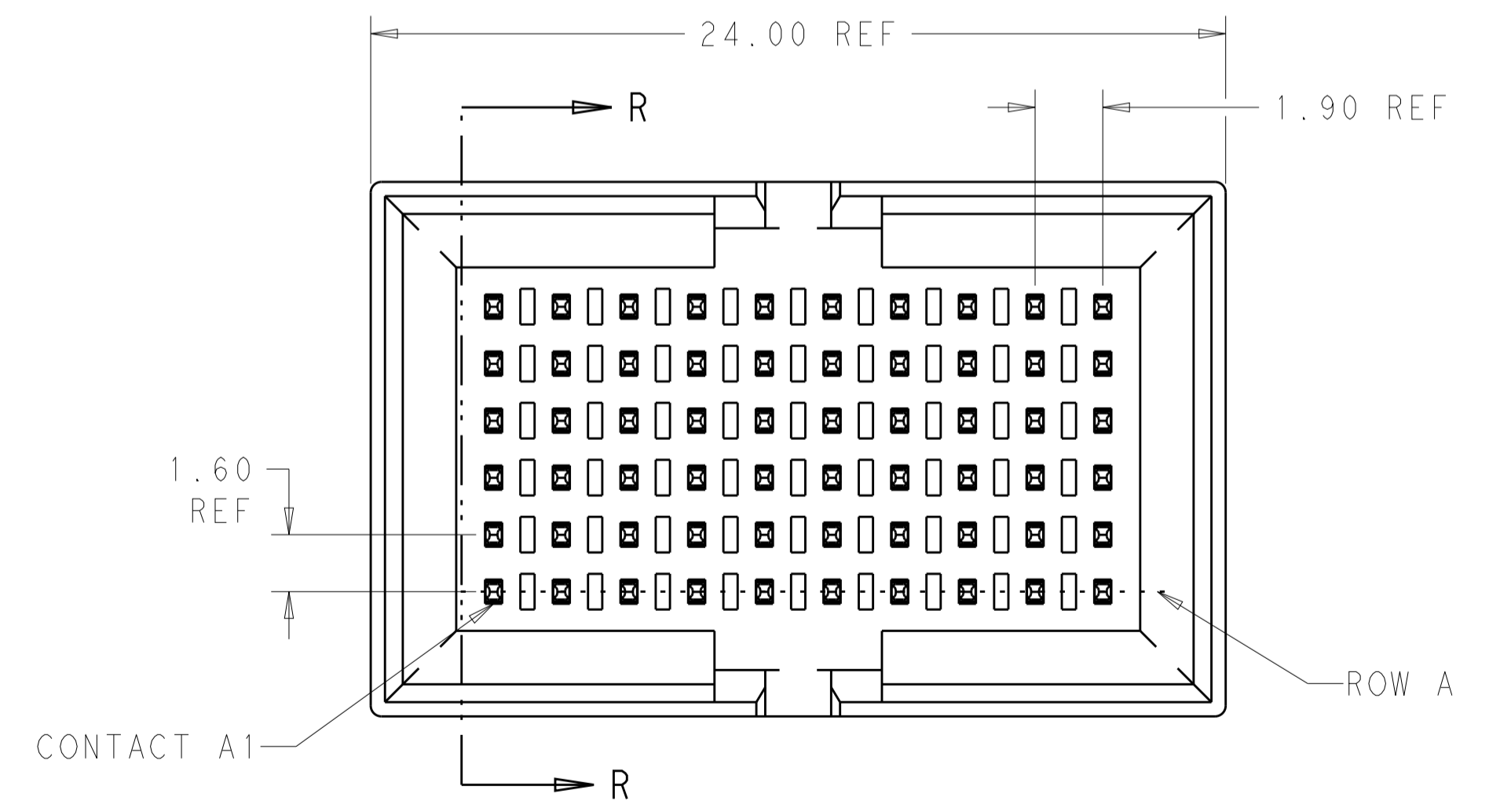
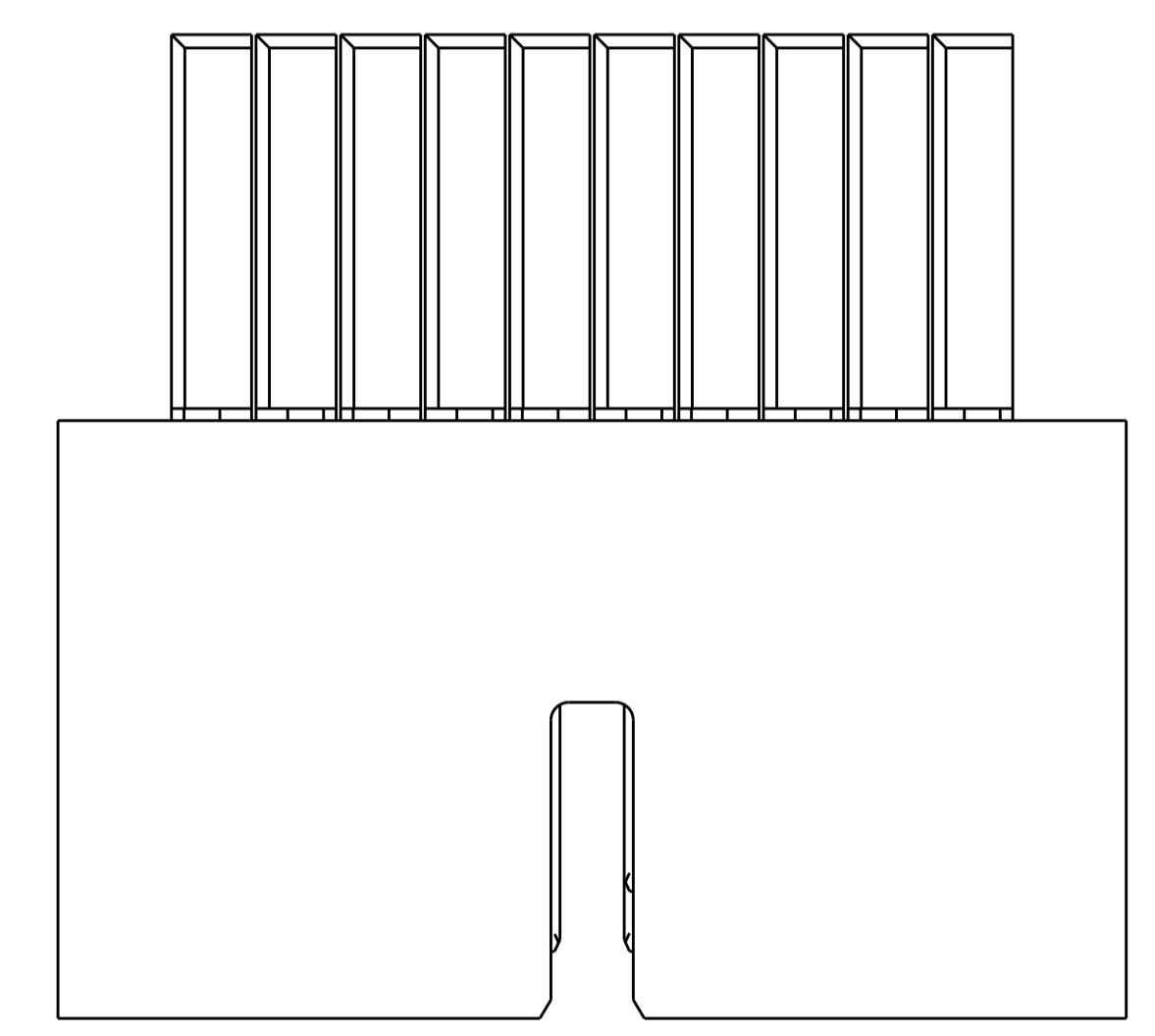
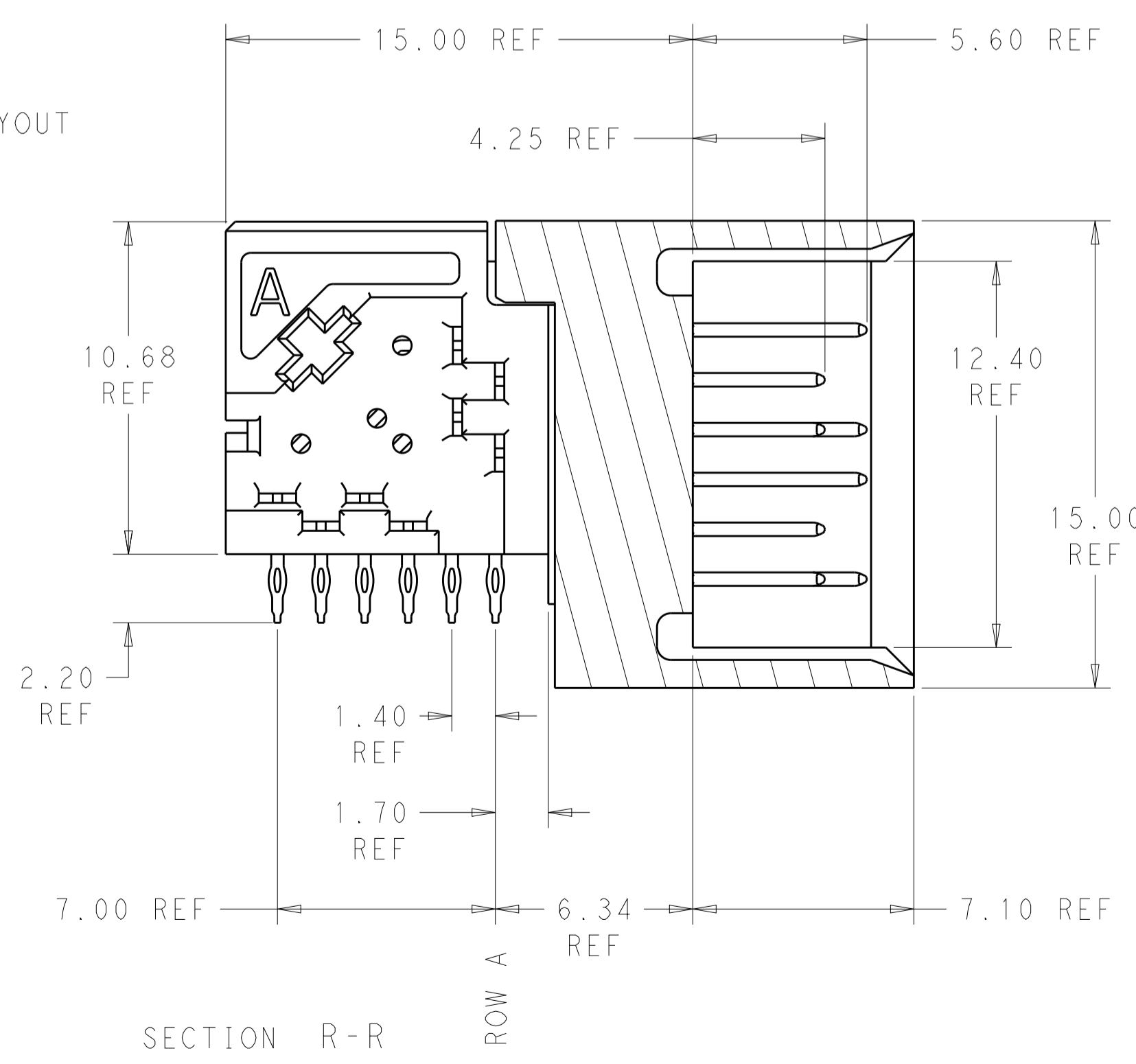
| LOC | DIST | REV           | DATE      | BY  | CHKD | APVD |
|-----|------|---------------|-----------|-----|------|------|
| A   |      | REVIS         | 110CT2012 | MGM | CT   |      |
| B   |      | ECO-13-004759 | 01APR2013 | KG  | DH   |      |



○ = SIGNAL  
⊗ = GROUND

RECOMMENDED DIFFERENTIAL PAIR PC BOARD LAYOUT  
COMPONENT SIDE SHOWN  
SCALE 10:1

- 1 MATERIAL:  
CONTACT AND SHIELD: COPPER ALLOY  
HOUSING AND CHICKLET: LCP, COLOR: BLACK
- 2 FINISH:  
CONTACT: MATING AREA: 1.27µm MIN GOLD OVER  
1.27µm MIN NICKEL  
SHIELD: 1.27µm MIN NICKEL
- 3 FINISH:  
COMPLIANT PIN AREA: 0.5µm MIN BRIGHT TIN LEAD OVER  
1.27µm MIN NICKEL
- 4 FINISH:  
COMPLIANT PIN AREA: 0.5µm MIN MATTE TIN OVER  
1.27µm MIN NICKEL
- 5 DIMENSION APPLIES TO CENTERLINE OF THRU HOLE.
- 6 DATUMS AND BASIC DIMENSIONS ESTABLISHED BY CUSTOMER.
- 7 REFERENCE APPLICATION SPEC 114-13267 FOR RECOMMENDED PLATED THRU HOLE DIAMETER AND PLATING THICKNESS.
- 8 RECOMMENDED DIFFERENTIAL PAIR CONFIGURATION SHOWN. THE CONNECTOR UTILIZES AN OPEN PIN FIELD AND CAN BE LAID OUT IN A SINGLE-ENDED CONFIGURATION.



|        |   |             |
|--------|---|-------------|
| 2      | 4 | 2102081-2   |
| 2      | 3 | 2102081-1   |
| FINISH |   | PART NUMBER |

|   |  |  |                  |  |  |
|---|--|--|------------------|--|--|
| THIS DRAWING IS A CONTROLLED DOCUMENT. DIMENSIONING AND TOLERANCING PER ASME Y14.5M-2009. |  | DWN: D. BELACK<br>CHK: N. GARIBALDI<br>APVD: M. McALONIS | ZANOV2010        | TE Connectivity  |  |
| DIMENSIONS: mm  |  | TOLERANCES UNLESS OTHERWISE SPECIFIED:                   | PRODUCT SPEC     | NAME: Fortis Zd, 2-PAIR, 10-COLUMN, R/A FULL SHROUD ASSEMBLY |  |
| 0 PLC ±0.13   |  | 1 PLC ±0.05  | 108-2409         | SIZE: CAGE CODE: DRAWING NO: A100779                         |  |
| 2 PLC ±0.05   |  | 3 PLC ±0.05  | APPLICATION SPEC | RESTRICTED TO  |  |
| 4 PLC ±0.05   |  | ANGLES ±2°   | 114-13267        | SCALE: 6:1 SHEET 1 OF 1 REV B                                |  |
| MATERIAL: FINISH:   |  | WEIGHT: ~7.45g   | Customer Drawing |  |  |

单击下面可查看定价，库存，交付和生命周期等信息

[>>TE Connectivity\(泰科\)](#)