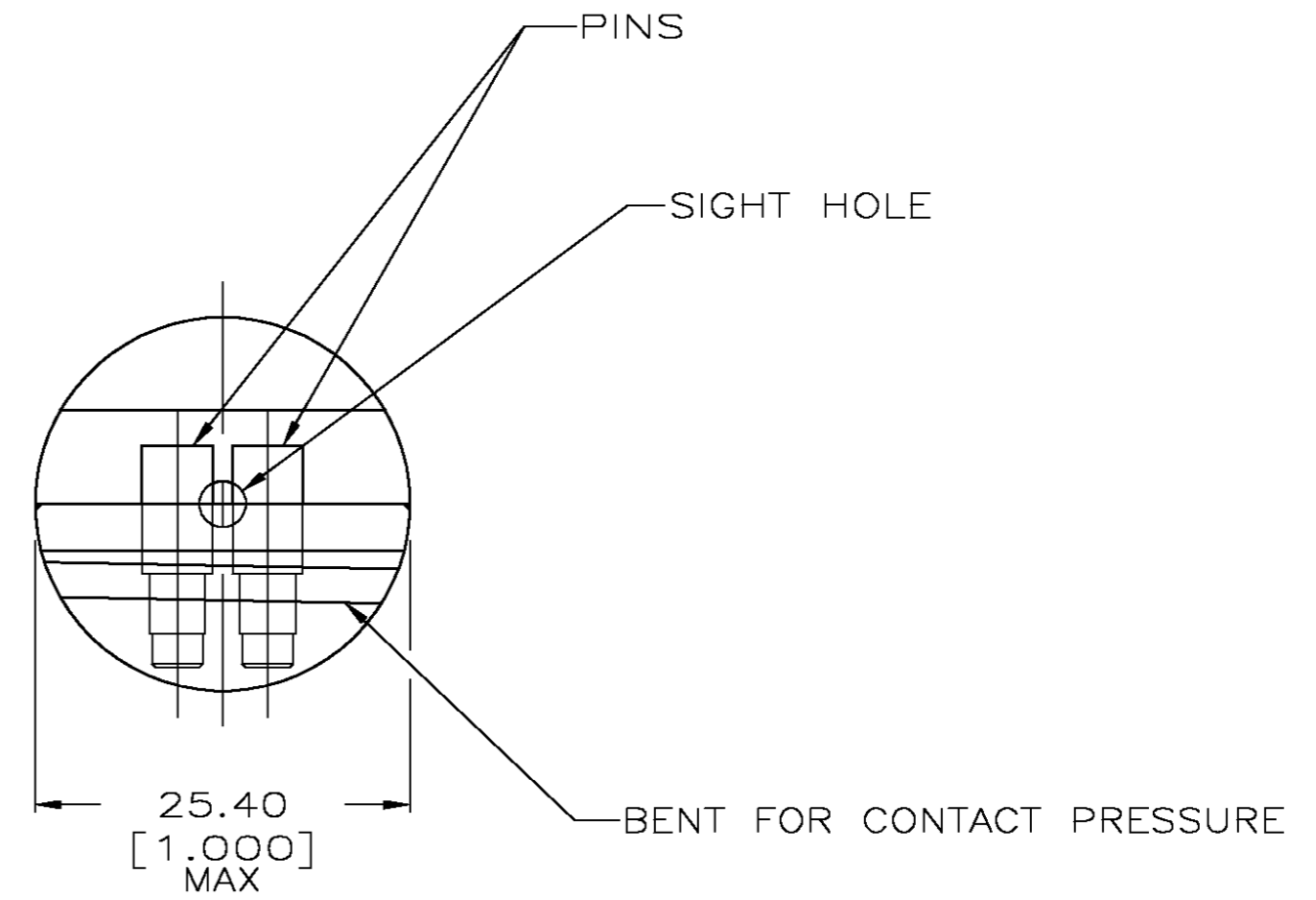
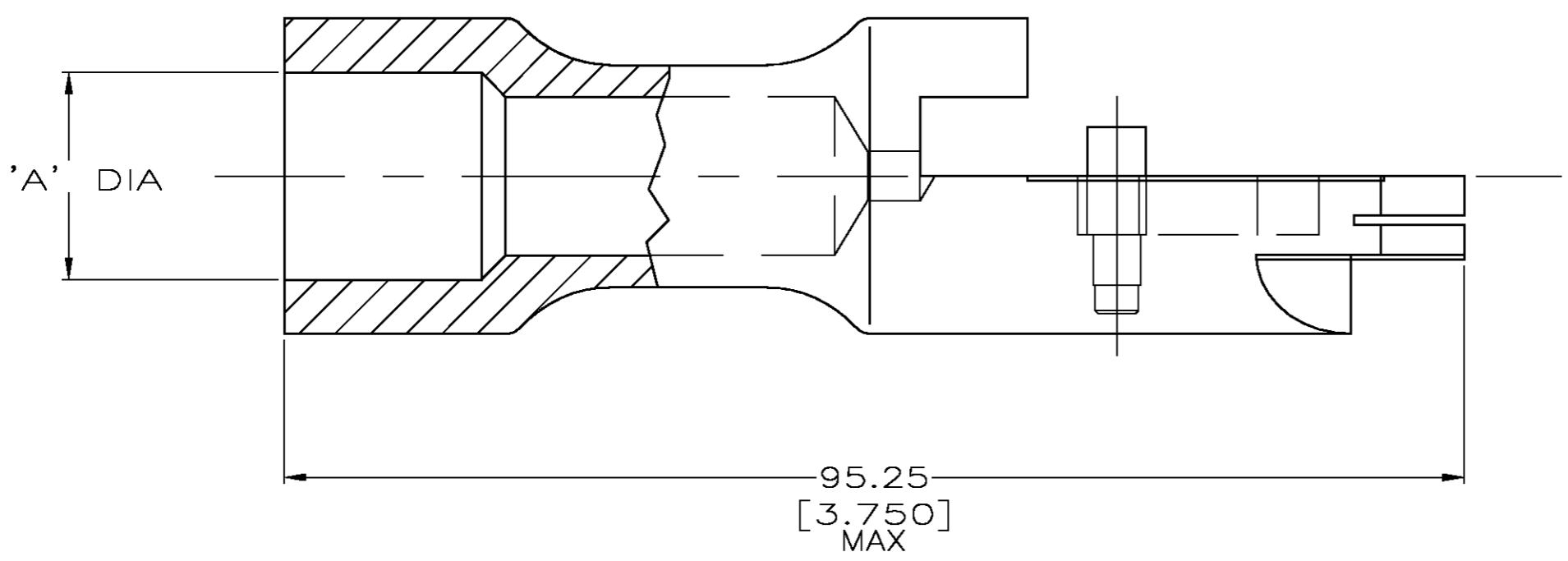
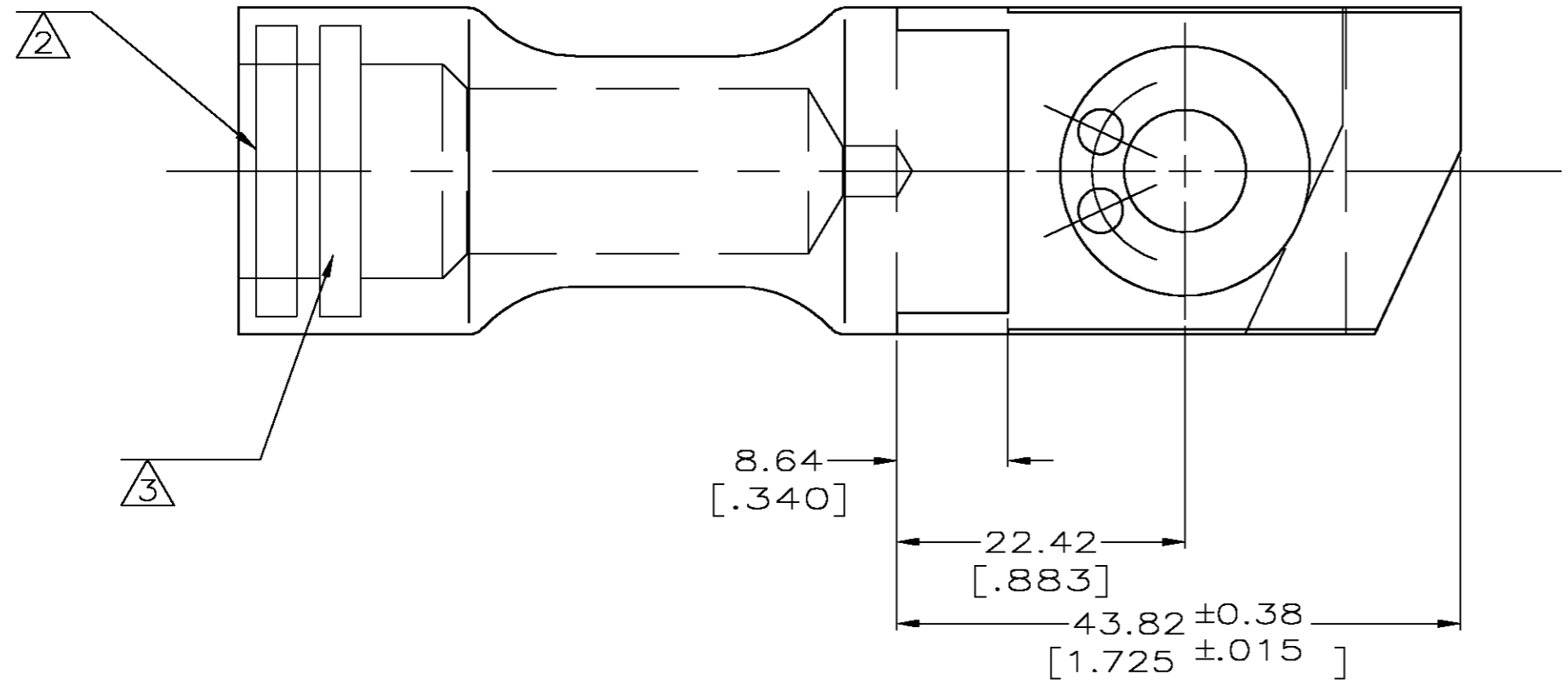


THIS DRAWING IS UNPUBLISHED. RELEASED FOR PUBLICATION
 © COPYRIGHT BY TYCO ELECTRONICS CORPORATION. ALL RIGHTS RESERVED.

LOC		DIST		REVISIONS			
P	LTR	DESCRIPTION	DATE	DWN	APVD		
G	86	F	REV PER 0G3A-0604-04	29JUL04	JR	MS	

- △1 SPECIAL WIRE SIZE 2/0.
- △2 STAMPING, SEE CHART
- △3 STAMPING, SEE CHART
- △4 FINISH: MIN SILVER PLATE PER QQ-S-365, SEE CHART FOR THK.
- △5 MATERIAL: BODY AND PINS, BRASS PER QQ-B-626
- △6 PRELIMINARY - NOT FOR PRODUCTION



OBSOLETE

⑦7077D80G15	3/0 A33	18.41 [.725]	0.0076 [.0003]	△6 52596-9
⑦7077D80G14	2/0S A33	17.48 [.688]	0.0076 [.0003]	△6 52596-8 △1
⑦7077D80G10	3/0 A33	20.62 [.812]	0.0076 [.0003]	52596-6
-	AMP 3/0	18.27 [.719]	0.0025 [.0001]	52596-5
-	AMP 3/0	20.62 [.812]	0.0025 [.0001]	52596-1
△3 STAMPING	△2	'A'	FINISH △4	AMP PART NUMBER

THIS DRAWING IS A CONTROLLED DOCUMENT.		DWN	JR RUTH	22JUL99	tyco Electronics	Tyco Electronics Corporation	
DIMENSIONS: mm [INCHES]		CHK	M SPICER	22JUL99		Harrisburg, Pa 17105-3608	
TOLERANCES UNLESS OTHERWISE SPECIFIED:		APVD	M SPICER	22JUL99	NAME		
0 PLC ± -	1 PLC ± -	PRODUCT SPEC	108-13014				
2 PLC ± 0.20[.008]	3 PLC ± -	APPLICATION SPEC	-				
4 PLC ± -	ANGLES ± -	WEIGHT	-				
FINISH	△5	FINISH	△4				
MATERIAL	- △5	WEIGHT	- lbs				
CUSTOMER DRAWING		SCALE	2:1		SHEET	1 OF 1	
		REV	F				

单击下面可查看定价，库存，交付和生命周期等信息

[>>TE Connectivity\(泰科\)](#)