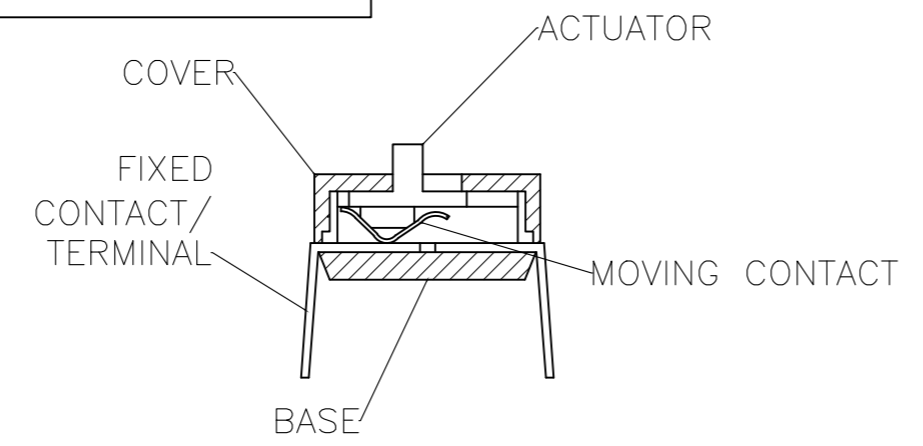
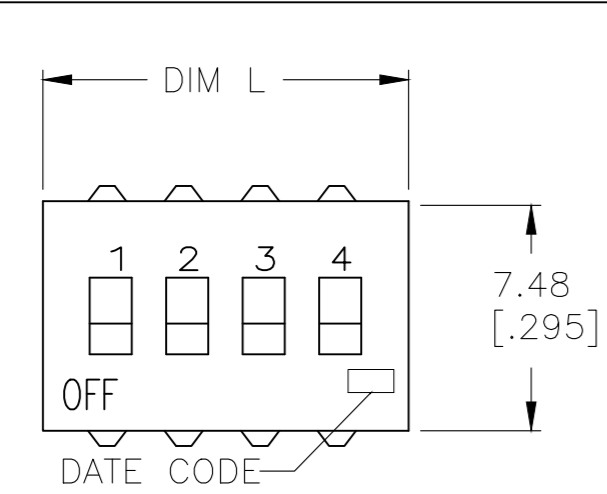


THIS DRAWING IS UNPUBLISHED. RELEASED FOR PUBLICATION  
 © COPYRIGHT - TE Connectivity ALL RIGHTS RESERVED.

REVISIONS					
P	LTR	DESCRIPTION	DATE	DWN	APVD
	C1	REVISED PER ECO-09-024927	07NOV09	KK	AEG
	C2	REVISED PER ECO-16-018654	15MAY2017	RK	PO
	C3	REVISED PER ECO-17-007090	30JUN2017	RK	PO



Specifications:

**Material**  
 Base, PPS UL94V-0, BLACK  
 Cover, PPS UL94V-0, BLACK  
 Actuator, PA6T UL94V-0, WHITE  
 Fixed Contact/Terminal, Cu Alloy, Plate- Gold/Nickel  
 Moving Contact, Cu Alloy, Plate-Gold/Nickel

**Electrical**  
 Contact rating switching, .4VA @ 20V DC  
 Initial contact resistance, 50 milliohms max.  
 Insulation Resistance, 100 Megohms min. @ 100 VDC  
 Dielectric strength, 500 VAC RMS @ Sea level  
 Life, 5,000 cycles

**Mechanical**  
 Operating force, Less than 800 grams  
 Travel, .051

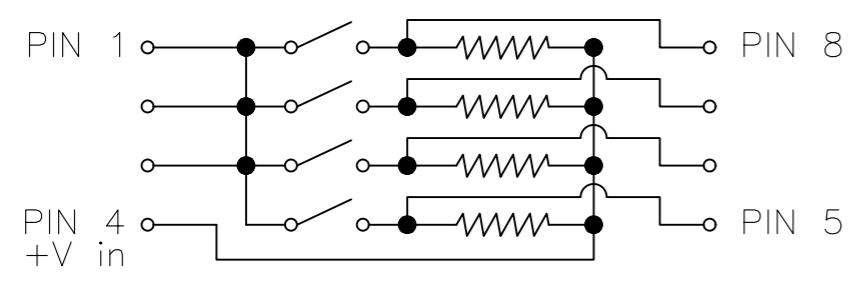
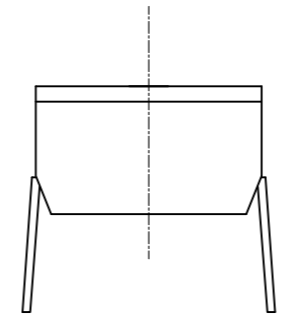
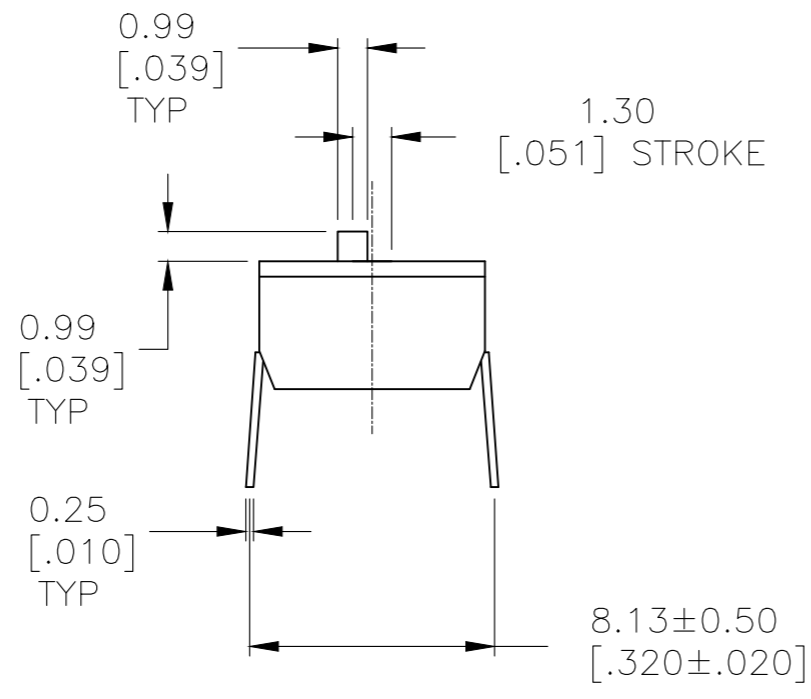
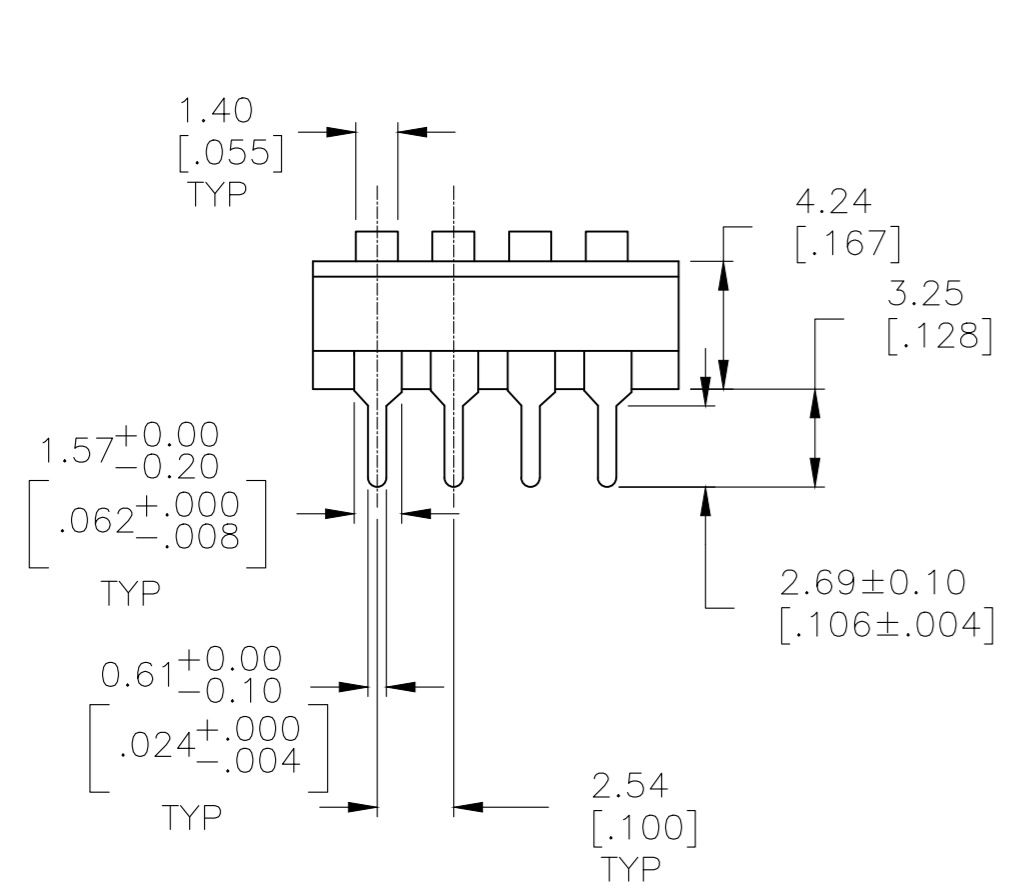
**Environmental**  
 Operating Temperature, -30 to +85 degrees C  
 Storage Temperature, -45 to + 100 degrees C  
 Cleaning, Aqueous or solvent  
 Solder heat resistance, 265 degrees C +/- 3 degrees C within 8 seconds +/- 2 seconds  
 Solderability per JIS-C-0050 & JIS-C-00053

Notes

1. ALL MATERIALS AND FINISHES SHALL COMPLY WITH EU DIRECTIVE 2002/95/EC OF 27JAN2003 (ROHS)
2. SWITCHES TO HAVE WHITE ACTUATORS AND MARKINGS
3. SWITCHES SUPPLIED IN THE "OFF" POSITION AND PACKAGED IN CLEAR TUBES TO ACCOMMODATE AUTO-INSERTION

4 SURFACE MOUNT

5 OBSOLETE PARTS: OBSOLETE CIS STREAMLINING PER D.RENAUD/D.SINISI

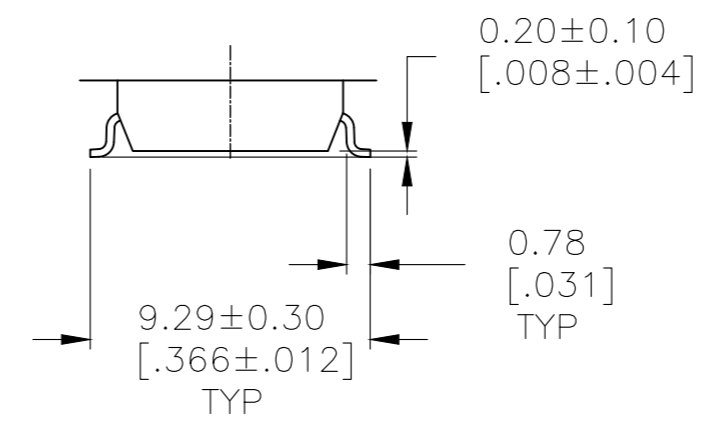
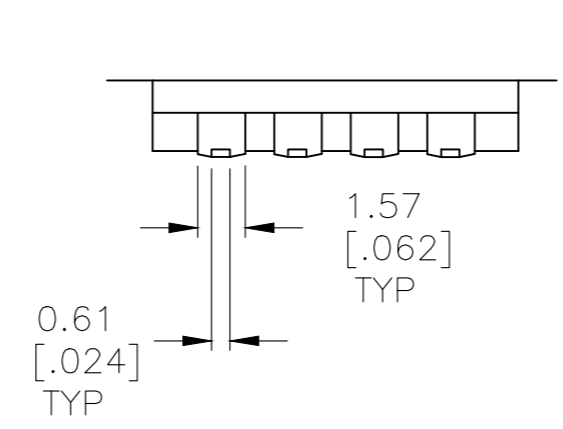


ELECTRICAL SCHEMATIC  
ARF SERIES ONLY

RATED POWER	RESISTANCE	TOLERANCE	MAX VOLTAGE
125mW	3.3KΩ (RED) 10KΩ (GREEN)	±5% @ 85°C	24V

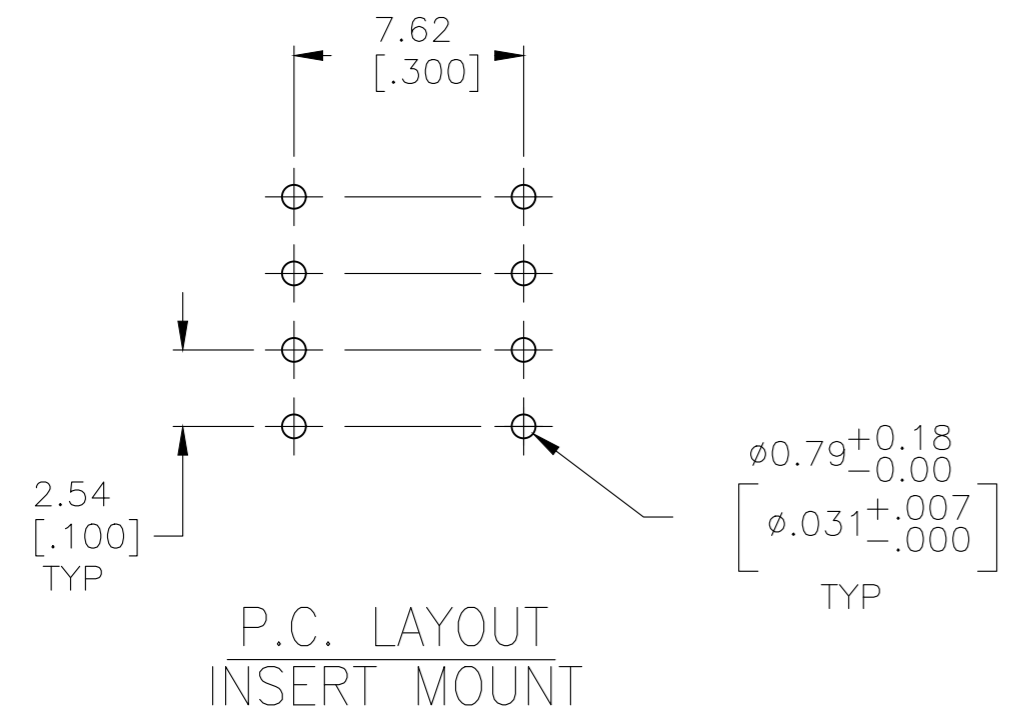
ARE

ARF

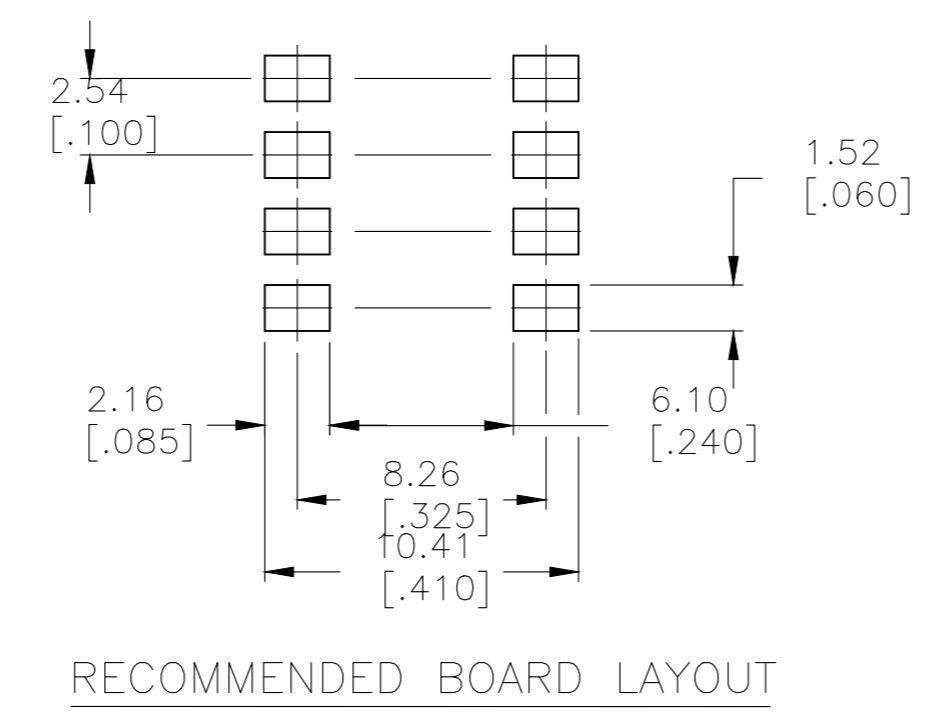


SURFACE MOUNT

	DIM L	POLES	T&B P/N	PART NUMBER
OBSOLETE 4	22.30[.878]	8	ARF083.3K04	<del>1-1825428-2</del>
	22.30[.878]	8	ARF0810KT04	<del>1-1825428-1</del>
	1214[.478]	4	ARF043.3KT04	<del>1-1825428-0</del>
	1214[.478]	4	ARF043.3K04	<del>1825428-9</del>
	7.06[.278]	2	ARF023.3K04	<del>1825428-8</del>
OBSOLETE 5	22.30[.878]	8	ARE0810KS04	<del>1825428-7</del>
	22.30[.878]	8	ARE0810K04	<del>1825428-6</del>
OBSOLETE 5	1214[.478]	4	ARE043.3K04	<del>1825428-5</del>
	22.30[.878]	8	ARF0810K04	1825428-4
OBSOLETE 5	1214[.478]	4	ARF0410K04	<del>1825428-3</del>
	27.38[1.078]	10	ARE103.3K04	<del>1825428-2</del>
OBSOLETE	22.30[.878]	8	ARE083.3K04	<del>1825428-1</del>



P.C. LAYOUT  
INSERT MOUNT



RECOMMENDED BOARD LAYOUT

THIS DRAWING IS A CONTROLLED DOCUMENT.		DWN M.BINNER 27MAR06		
DIMENSIONS: mm [INCHES]		CHK M SARVER 15FEB05		
TOLERANCES UNLESS OTHERWISE SPECIFIED:		APVD M SARVER 15FEB05	NAME	
0 PLC ± -	1 PLC ± -	PRODUCT SPEC	DIP SWITCH, ARE/F SERIES	
2 PLC ± 0.30[012]	3 PLC ± -	APPLICATION SPEC	SIZE	CAGE CODE
4 PLC ± -	ANGLES ± -	WEIGHT	A2	00779
MATERIAL		FINISH	DRAWING NO	RESTRICTED TO
			C=1825428	
CUSTOMER DRAWING			SCALE 4:1	SHEET 1 of 1
			REV C3	

1825428

B

A

单击下面可查看定价，库存，交付和生命周期等信息

[>>TE Connectivity\(泰科\)](#)