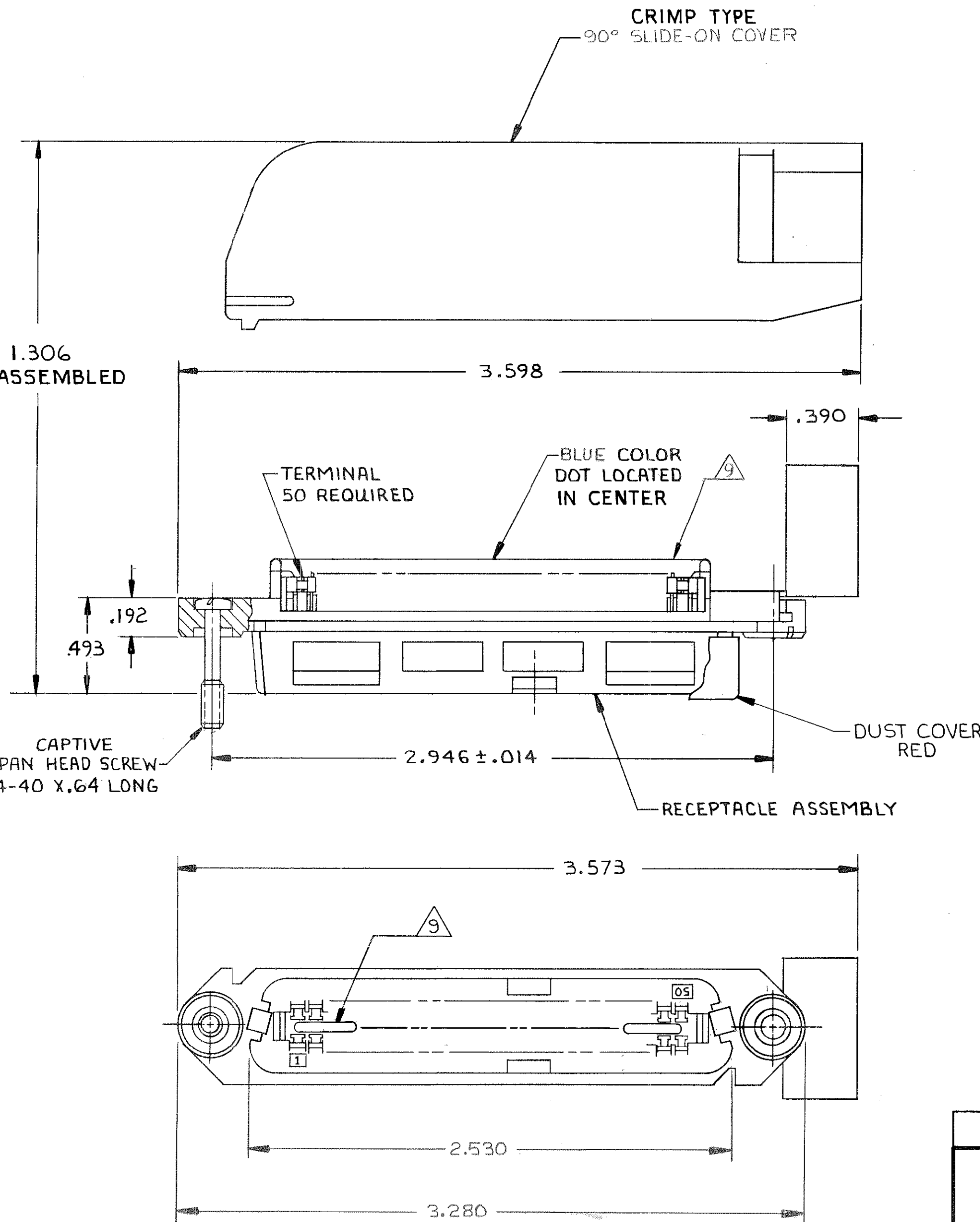


© COPYRIGHT 1980 BY AMP INCORPORATED, HARRISBURG, PA. ALL INTERNATIONAL RIGHTS RESERVED. AMP INCORPORATED PRODUCTS COVERED BY U. S. AND FOREIGN PATENTS AND/OR PATENTS PENDING.

REVISIONS						
P	F	ZONE	LTR	DESCRIPTION	DATE	APPROVED
J			J	OBsolete - 1; ECN AA-5942	11-3-89	EW TC
			K	REV; EC OUIE-0040-01	3-19-01	DD EB



1. THE CONTACT SURFACES OF THE TERMINALS ARE COATED WITH LUBRICANT.
  2. MATERIAL: HOUSING & SLIDE-ON COVER-POLYPHENYLENE. CABLE CLAMP & SCREW-ZINC PLATED STEEL. TERMINAL-GOLD OVER NICKEL PLATED HIGH STRENGTH COPPER ALLOY. DUST COVER-POLYETHYLENE.
  3. WIRE SIZE: 24&26 AWG SOLID OR 24 AWG 7 STRANDS OF COPPER CONDUCTORS. MAX INSULATION DIAMETER OF .045 IS ACCEPTABLE FOR MOST APPLICATIONS.
  4. CENTER-TO-CENTER SPACING OF TERMINALS IS .085 NOMINAL.
  5. CABLE CLAMP & SCREW ARE ASSEMBLED TO CONNECTOR BEFORE SHIPMENT.
  6. ALL DIMENSIONS ARE MAXIMUM UNLESS OTHERWISE SPECIFIED.
  7. COVER SHIPPED UNASSEMBLED WITH CABLE CLAMP UNCRIMPED.
  8. KIT SHIPPED BULK PACKAGED.
- 9 CORING MAY OR MAY NOT APPEAR AND IS AT THE DISCRETION OF AMP INCORPORATED.

YES	GRAY	553212-3
DUST COVER	COLOR	PART NO

UNLESS OTHERWISE SPECIFIED DIMENSIONS ARE IN INCHES. TOLERANCES ON: DECIMALS ± — ANGLES ± —	CONTRACT NO	AMP INCORPORATED Harrisburg, Pa.		
	DR <i>D. Bowman</i> 7-29-80	NAME RECEPTACLE KIT , 50 POSITION, B SLOT, CRIMP TYPE, SCREW & 90° COVER, CHAMP-LOK		
	CHK <i>MD Friel</i> 7-31-80	APPD <i>B.G. Ward</i> 7/31/80	APPD <i>Donnelly</i> 8-1-80	SIZE CODE IDENT NO DRAWING NO <b>C 00779 553212</b>
	MATERIAL	DSGN APPD	OTHER APPD <i>RE Rich</i> 8/11/80	SCALE 2:1 SHEET 1 OF 1
FINISH				

单击下面可查看定价，库存，交付和生命周期等信息

[>>TE Connectivity\(泰科\)](#)