

THIS DRAWING IS UNPUBLISHED.

RELEASED FOR PUBLICATION

© COPYRIGHT - BY TYCO ELECTRONICS CORPORATION.

ALL INTERNATIONAL RIGHTS RESERVED.

LOC
FT

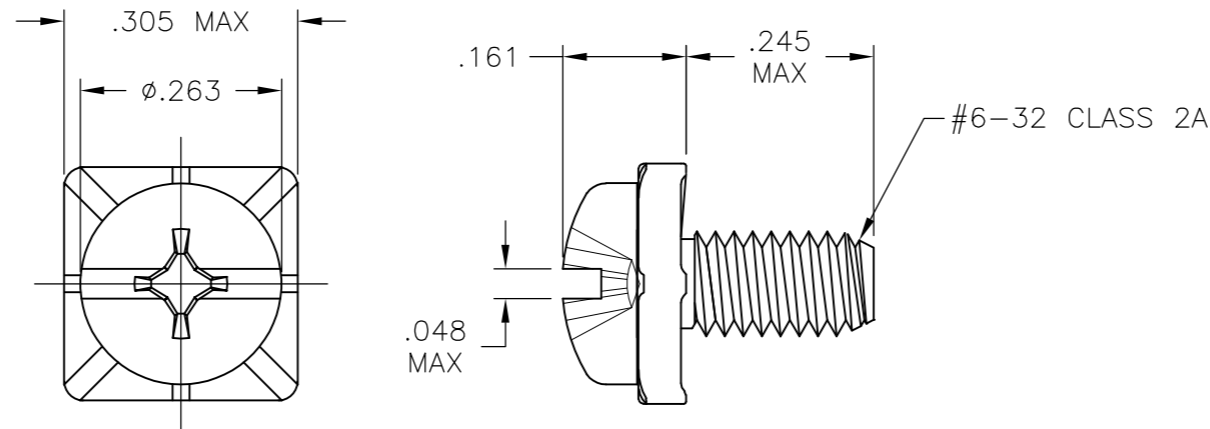
DIST
0

REVISIONS

P	LTR	DESCRIPTION	DATE	DWN	APVD
	A	-	12/19/08	SS	SM

① MATERIAL: STEEL, ZINC PLATED .0002 MIN. WITH CLEAR NON-HEXAVALENT CHROMATE.

② MATERIAL: BRASS, NICKEL PLATED .0001 MIN. OVER COPPER FLASH.



②	1437651-6
①	1437651-2
①	9-1437667-9
MATERIAL	PART NUMBER

THIS DRAWING IS A CONTROLLED DOCUMENT.		DWN S SCHLEGEL 19DEC2008	Tyco Electronics Corporation Harrisburg, Pa 17105-3608		
DIMENSIONS: INCHES		CHK S MACE 12/19/08	NAME #6-32 COMBO TYPE 1/SLOTTED PAN HEAD SQ. WASHER SEMS MACHINE SCREW		
		APVD S MACE 12/19/08			
TOLERANCES UNLESS OTHERWISE SPECIFIED:		PRODUCT SPEC	SIZE A3		
0 PLC ± - 1 PLC ± - 2 PLC ± - 3 PLC ± - 4 PLC ± - ANGLES ± -		APPLICATION SPEC			
MATERIAL		WEIGHT	CAGE CODE 00779	DRAWING NO 1546184	RESTRICTED TO
FINISH		CUSTOMER DRAWING		SCALE NTS	SHEET 1 OF 1
				REV A	

单击下面可查看定价，库存，交付和生命周期等信息

[>>TE Connectivity\(泰科\)](#)