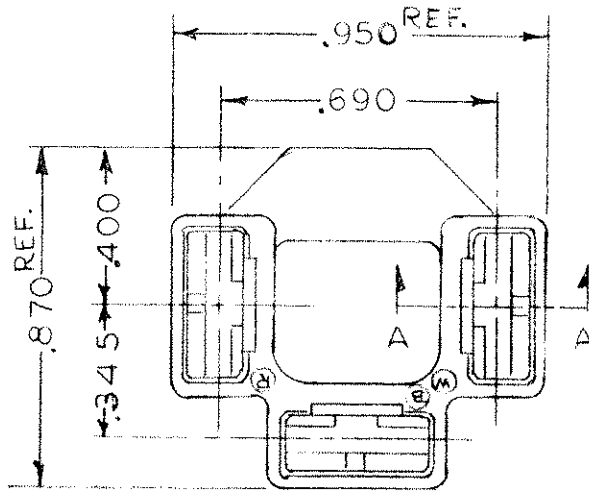
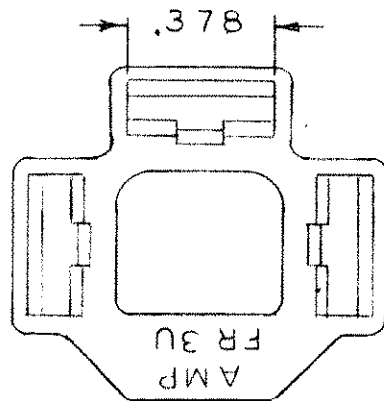
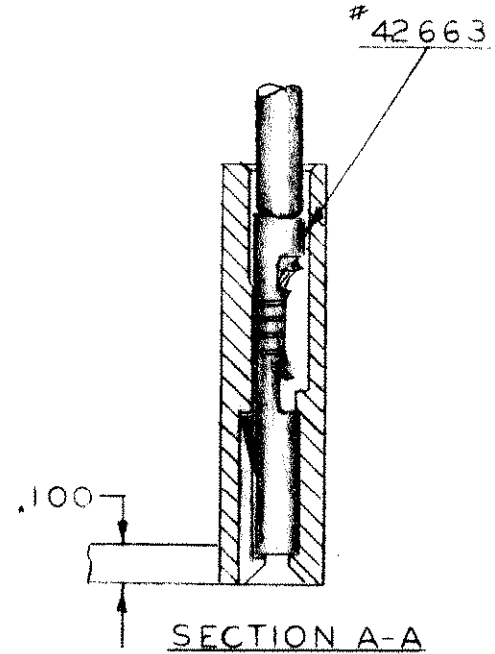
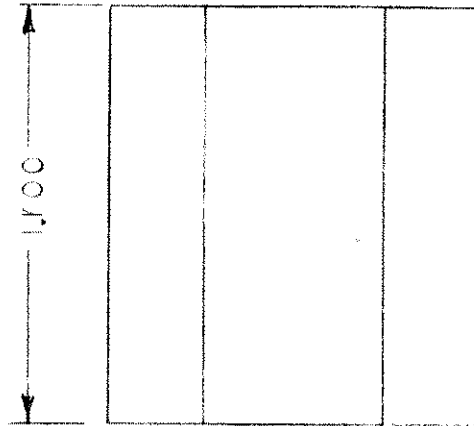


480100

USED ON



HOUSING NO	MATERIAL
480100-1	BLACK - 6/6 NYLON



MATERIAL: SEE TABLE

FINISH: *✓*

© 1958, BY AMP INCORPORATED
AMP PRODUCTS COVERED BY PATENTS
AND/OR PATENTS PENDING.

CUSTOMER DRAWING

AMP INCORPORATED
AUTOMATIC MACHINE DIVISION
HARRISBURG, PENNA.

NO.	ALTERATION	DATE	BY	E.C.R.
E	REV PER OG-3A-0428-02	8-7-02	AF	
D	OLS -2, -3, -4	AF-1706 4/21/80	AF	
C	ADD 480100-4	5/24/74	TTI	
B	ADD 480100-3	5/28/73	TTI	
A	ADDED 480100-2	6-1-73	TTI	

RECEPTACLE HOUSING
FAST-IN-FASTON 3 CIRCUIT
WIRE RANGE
SERIES "312" SERIES
TOLERANCES - ALL DIMENSIONS ± .015, EXCEPT AS NOTED

DR. D. RUNKLE	3-25-58	D. B. [Signature]	3-26-58
CK. SILLIPLANE	3-26-58	APP. [Signature]	

SCALE: 2.1	480100
------------	--------

BTA	NO.	ALT
1		
2		
3		
4		
5		
6		
7		
8		
9		
10		
11		
12		
13		
14		
15		
16		
17		
18		
19		
20		
21		
22		
23		
24		
25		
26		
27		
28		
29		
30		
31		
32		
33		

AMP 250-2

单击下面可查看定价，库存，交付和生命周期等信息

[>>TE Connectivity\(泰科\)](#)