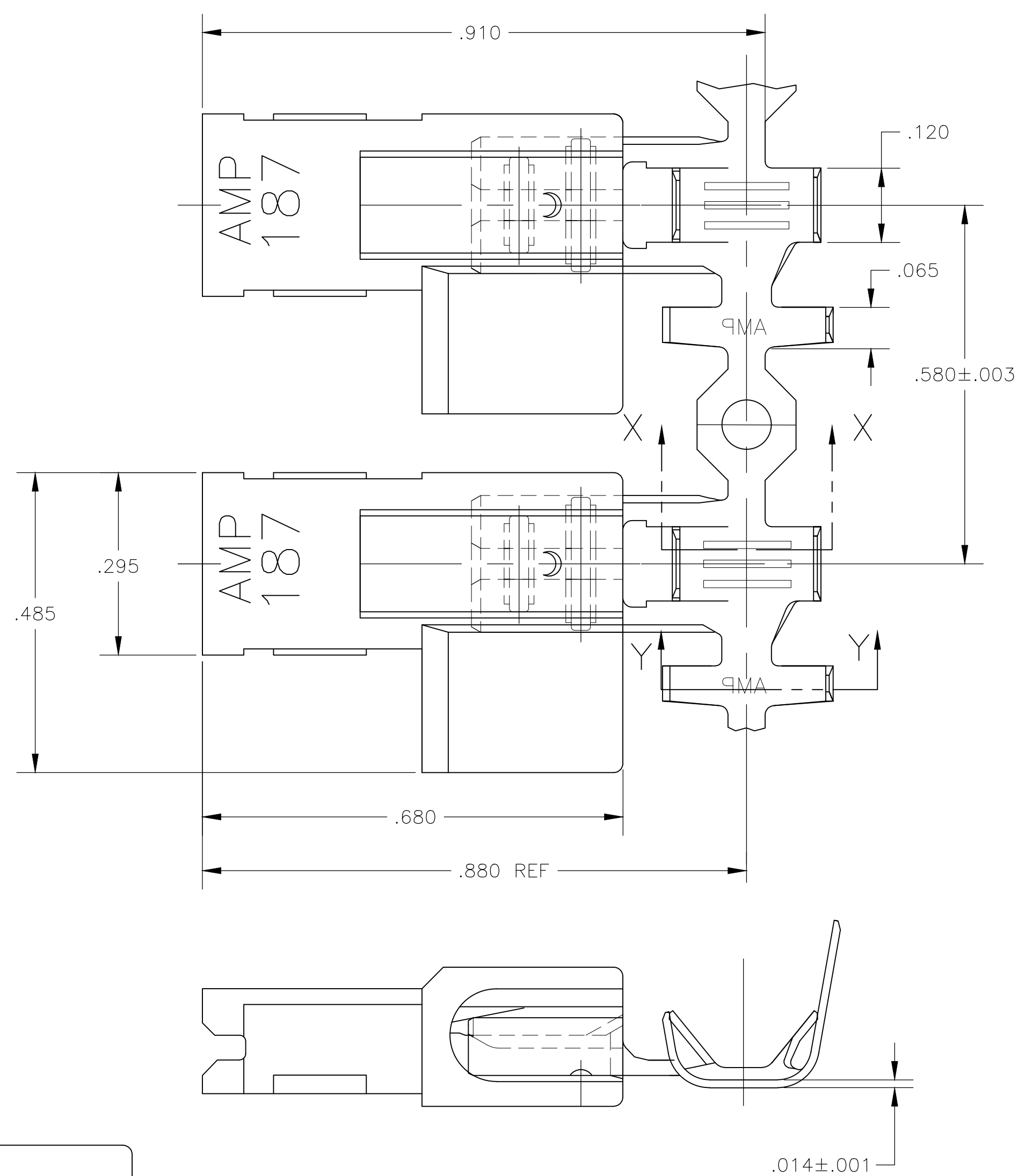
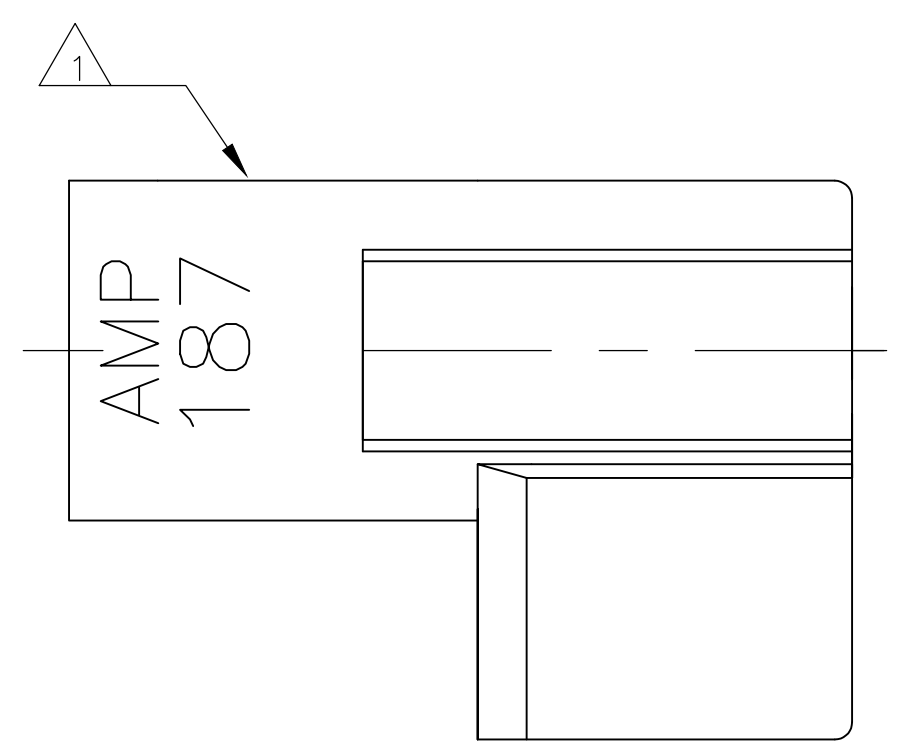
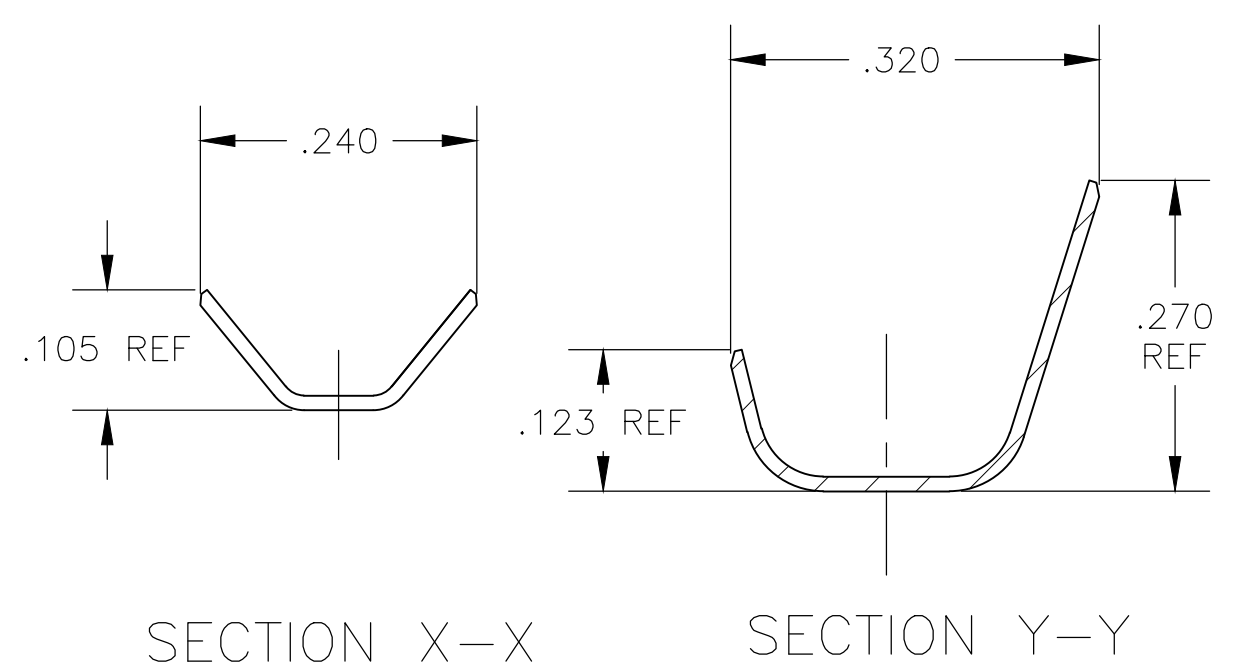


THIS DRAWING IS UNPUBLISHED. RELEASED FOR PUBLICATION
 © COPYRIGHT - By - ALL RIGHTS RESERVED.

LOC	DIST	REVISIONS			
P	LTR	DESCRIPTION	DATE	DWN	APVD
AF	50	J1	REVISED PER ECR-19-018062	10DEC2019	SS TD



- 1 ALTERNATIVE HOUSING FORM
- 2 WIRE SIZES & COMBINATIONS: #18, #16, #14, (2)#20, (2)#18
- 3 INSULATION RANGE IS .110-.150 DIA OR TWO AT .110 MAX DIA.
- 4 MATERIAL;
 TERMINAL: BRASS, FINISH SEE TABLE
 HOUSING: 6/6 NYLON, NATURAL COLOR (WHITE)
- 5 FITS .187 X .032 THK FASTON TAB
- 6 OBSOLETE PARTS



THIS DRAWING IS A CONTROLLED DOCUMENT.		DWN	JR RUTH	30JUL03
DIMENSIONS: INCHES		CHK	J HUMMEL	24JUL03
TOLERANCES UNLESS OTHERWISE SPECIFIED:		APVD	KRISTY YI	24JUL03
0 PLC ± -		PRODUCT SPEC	108-2215	
1 PLC ± -		APPLICATION SPEC	114-2124	
2 PLC ± -		WEIGHT	-	
3 PLC ± .010		SIZE	A2	00779
4 PLC ± -		CAGE CODE	C=521601	
ANGLES ± -		DRAWING NO	521601-2	
FINISH		RESTRICTED TO	-	
SEE NOTES		SCALE	6:1	
SEE NOTES		SHEET	1 of 1	
CUSTOMER DRAWING		REV	J1	

.000040 MIN TIN PLATE	521601-2
NO PLATING	521601-1
TERMINAL: FINISH	PART NO.

6



ASSEMBLY, RECPT, FLAG, ULTRA-POD, .187 SERIES
 18-14 AWG , VO HOUSING

单击下面可查看定价，库存，交付和生命周期等信息

[>>TE Connectivity\(泰科\)](#)