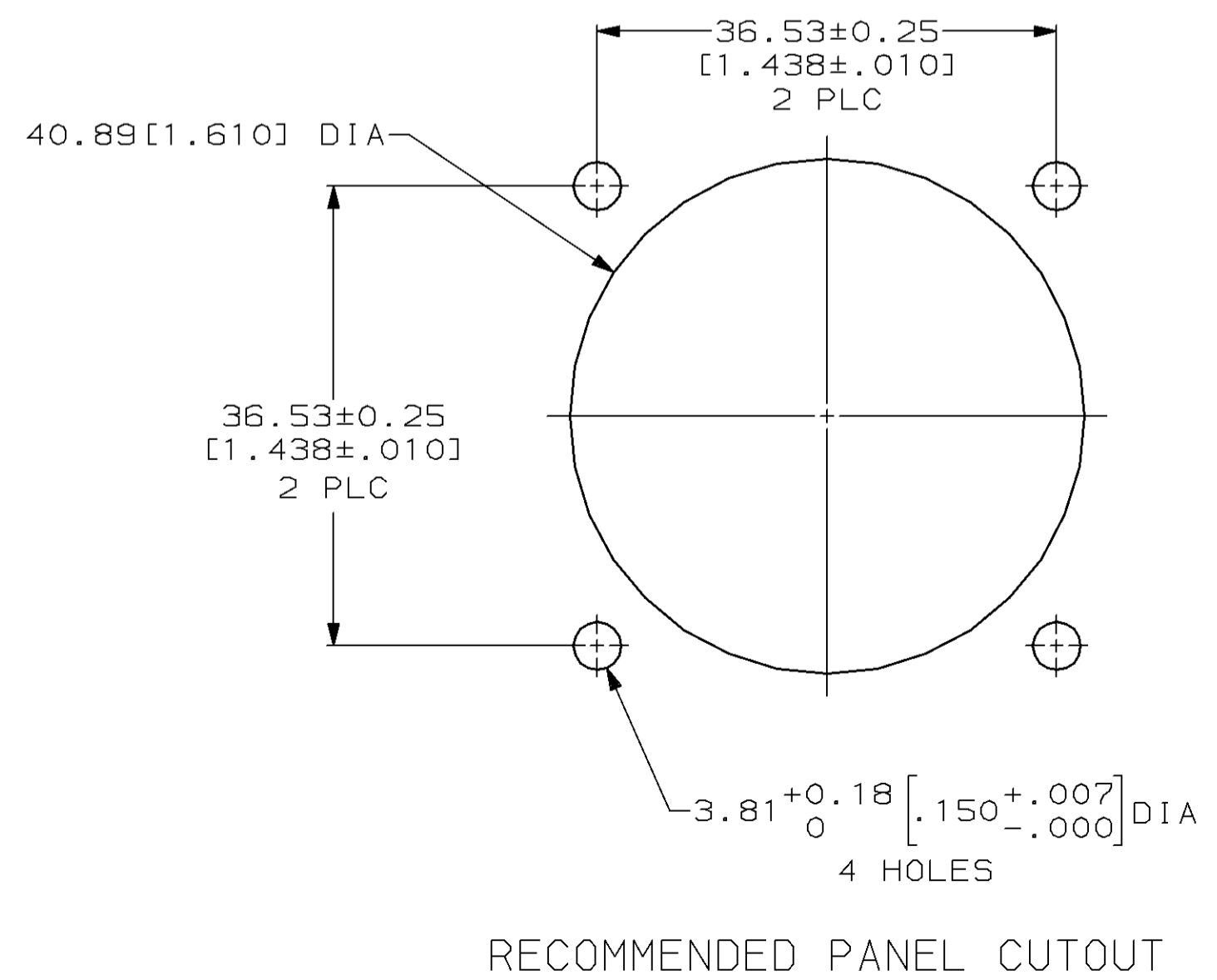
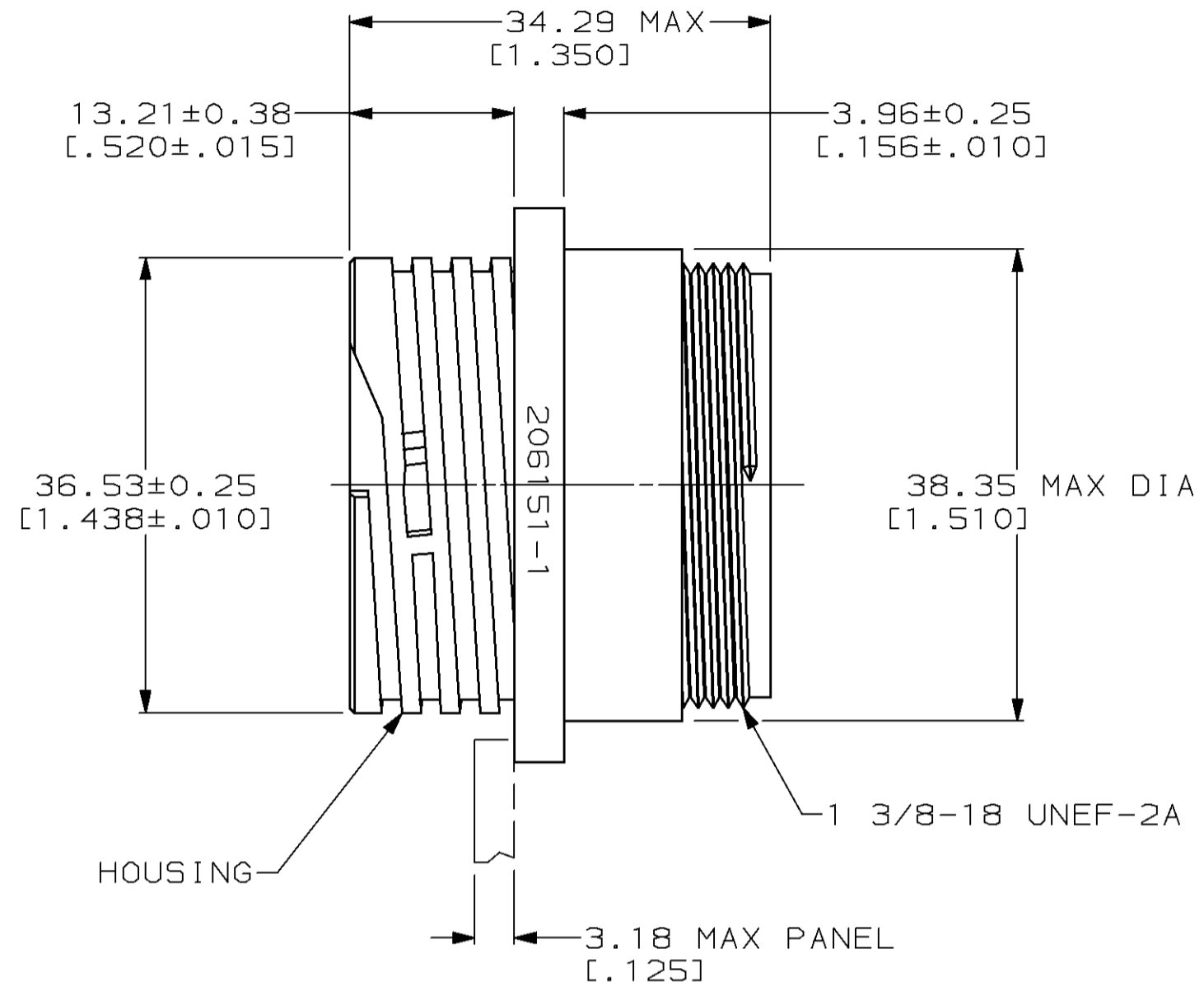
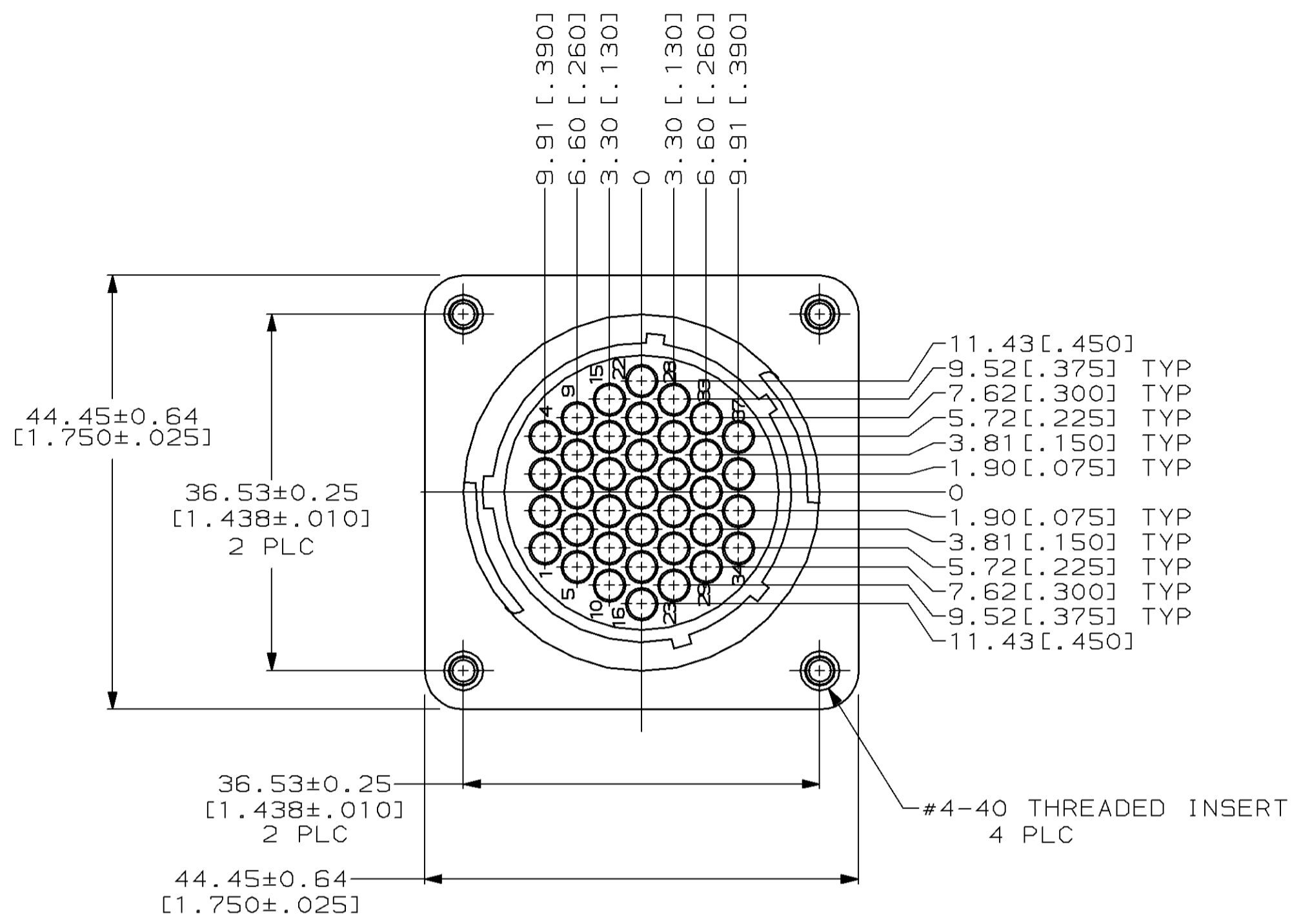


THIS DRAWING IS UNPUBLISHED. RELEASED FOR PUBLICATION
 BY AMP INCORPORATED. ALL RIGHTS RESERVED.

REVISONS		DATE	DWN	APVD
0	RELEASED -1 PER NPR 5423 WAS 95-5029-3-1	06 OCT 95	-	-



- 1. HOUSING: NYLON, BLACK.
#4-40 THREADED INSERTS: BRASS.
- 2. CAVITY IDENTIFICATION ON FRONT AND REAR FACES.
- 3. CONNECTOR WILL ACCEPT 37 MULTIMATE PIN CONTACTS.

787610-1
PART NUMBER

THIS DRAWING IS A CONTROLLED DOCUMENT FOR AMP INCORPORATED. IT IS SUBJECT TO CHANGE AND THE CONTROLLING ENGINEERING ORGANIZATION SHOULD BE CONTACTED FOR THE LATEST REVISION.		DWN K.FOLTZ 06 OCT 95	AMP Incorporated Harrisburg, PA 17105-3608
DIMENSIONS: mm [INCHES]		CHK R.STONE 09 OCT 95	
TOLERANCES UNLESS OTHERWISE SPECIFIED:		APVD R.BYERS 09 OCT 95	NAME
0 PLC ±- 1 PLC ±- 2 PLC ±0.13 [.005] 3 PLC ±- 4 PLC ±- ANGLES ±- FINISH -		PRODUCT SPEC 108-10024	RECEPTACLE ASSEMBLY, STANDARD SEX, SIZE 23-37, CPC
MATERIAL		WEIGHT	SIZE A2
RECOMMENDED PANEL CUTOUT		CUSTOMER DRAWING	CAGE CODE 00779
		SCALE 2:1	DRAWING NO C=787610
		SHEET 1 OF 1	REV 0

787610

单击下面可查看定价，库存，交付和生命周期等信息

[>>TE Connectivity\(泰科\)](#)