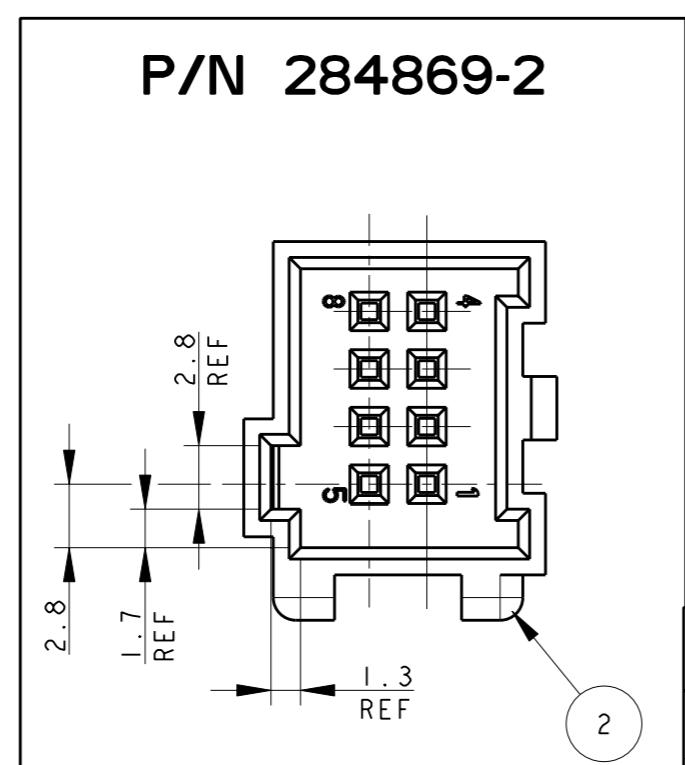
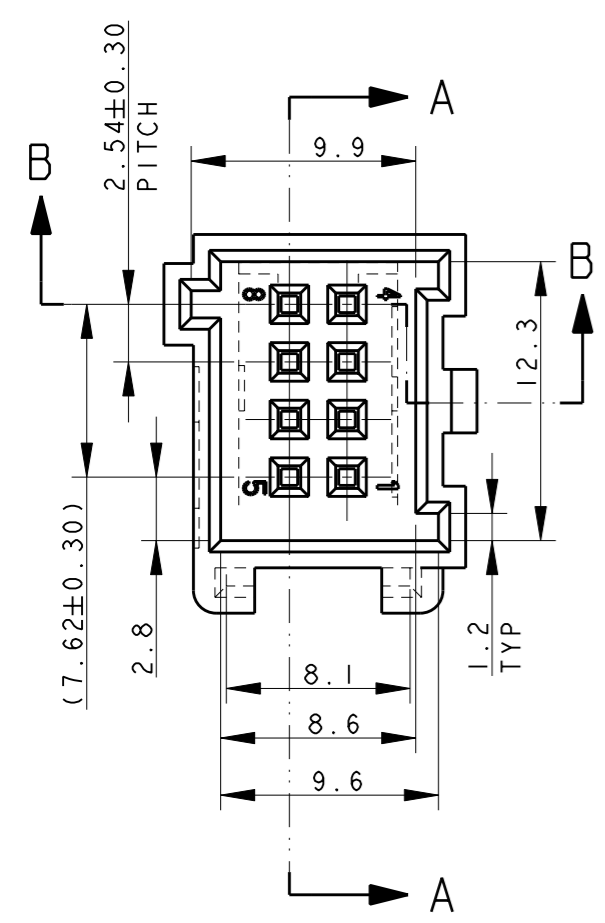
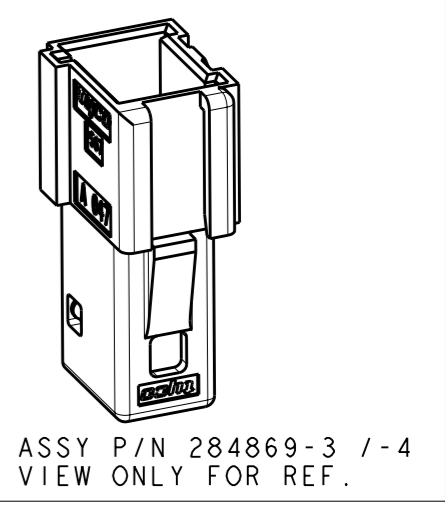
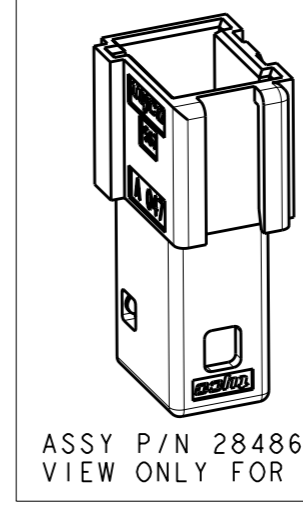
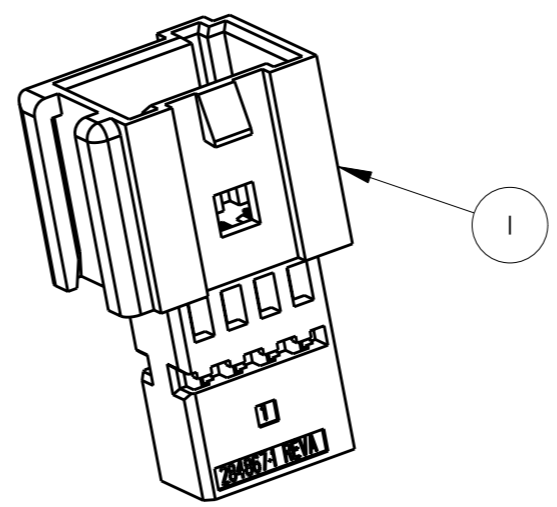
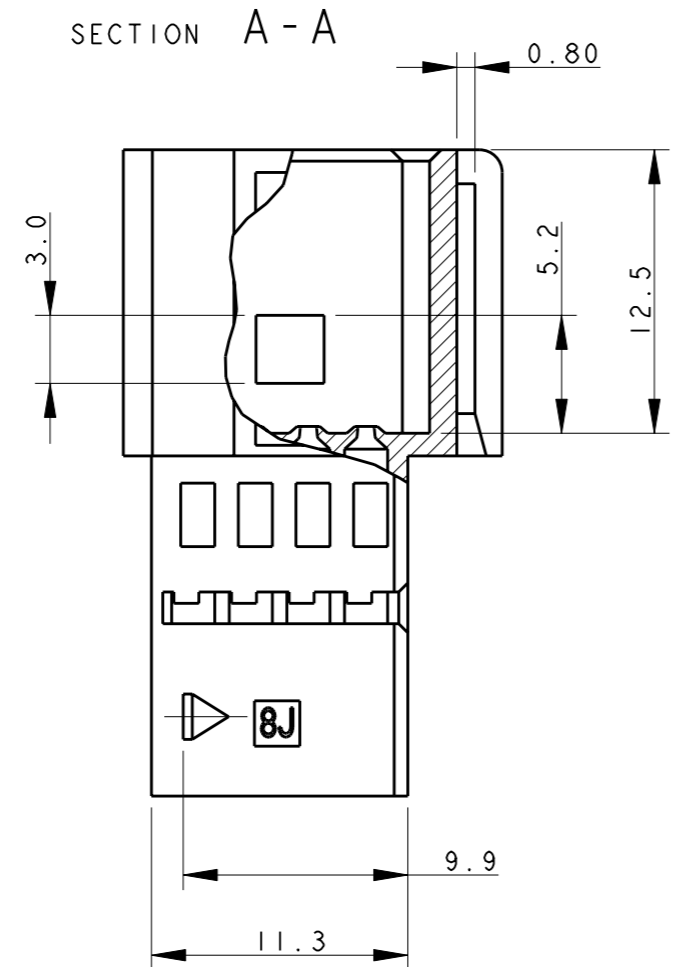
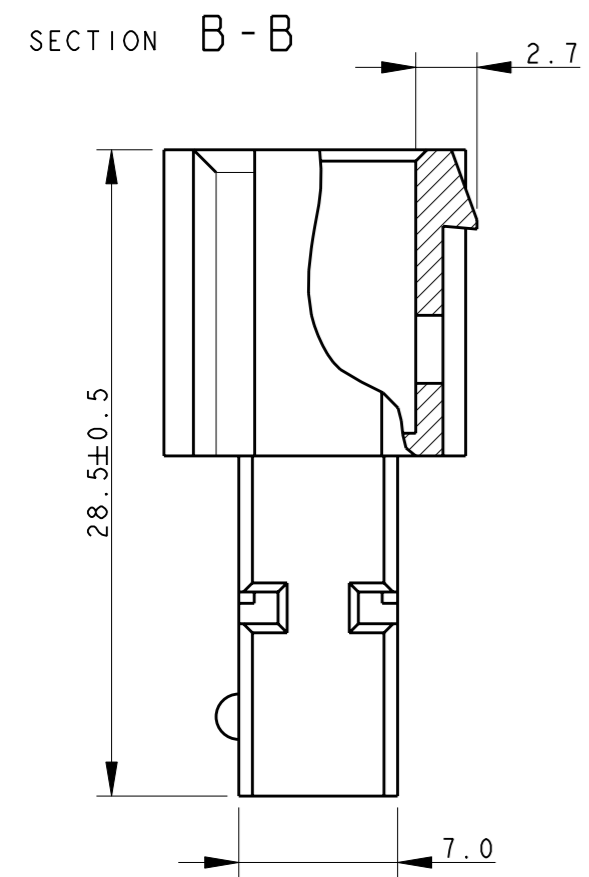


THIS DRAWING IS UNPUBLISHED. RELEASED FOR PUBLICATION 2002
 © COPYRIGHT 2002 BY TYCO ELECTRONICS CORPORATION. ALL RIGHTS RESERVED.

LOC	DIST	REVISIONS			
P	LTR	DESCRIPTION	DATE	DWN	APVD
		A2	ADDED -2 VERSION	31/03/2006	M.P. R.M.
		A3	RELEASED DASH -2 (ECR-06-009425)	28/04/2006	M.P. R.M.
		A4	RELEASED -3 AND -4 (ECR-08-027747)	04/11/2008	M.G. M.G.



1 CAVITA' ADATTE PER TERMINALE MASCHIO MICRO QUADLOK SYSTEM TYCO ELECTRONICS P/N 963716-1 E 1-928918-1. (CAVITIES SUITABLE FOR MICRO QUADLOK SYSTEM PIN CONTACTS TYCO ELECTRONICS P/N 963716-1 AND 1-928918-1).

2 STATO DI FORNITURA: KIT COMPOSTO DA BLOCCHETTO PORTA CONTATTI COME INDICATO NEL FOGLIO 1 DI 2 E AGGANCIAMENTO SECONDARIO COME INDICATO NEL FOGLIO 2 DI 2 (NON ASSEMBLATI). (SUPPLYING CONDITION: KIT MADE OF PIN HOUSING AS SHOWN IN SHEET 1 OF 2 AND SECONDARY LOCK AS SHOWN IN SHEET 2 OF 2, NOT ASSEMBLED).

BLOCCHETTO PORTA CONTATTI
 COME INDICATO!
 (PIN HOUSING AS SHOWN)

QUANTITA' (QUANTITY)	REV. A	REV. A	REV. A	REV. A	ITEM	DESCRIZIONE (DESCRIPTION)	COLORE (COLOUR)	MATERIALE (MATERIAL)
	4					AGG. SECOND. (SEC. LOCK)	BLU (BLUE)	PA 6,6 CAR. VETRO (PA 6,6 G.F. FILLED)
	3					AGG. SECOND. (SEC. LOCK)	ROSSO (RED)	
	2					BLOCCHETTO (PIN HOUSING)	GRIGIO (GRAY)	
	1					BLOCCHETTO (PIN HOUSING)	NERO (BLACK)	

THIS DRAWING IS A CONTROLLED DOCUMENT FOR TYCO ELECTRONICS CORPORATION IT IS SUBJECT TO CHANGE AND THE CONTROLLING ENGINEERING ORGANIZATION SHOULD BE CONTACTED FOR THE LATEST REVISION.

DIMENSIONS: mm	TOLERANCES UNLESS OTHERWISE SPECIFIED:
0 PLC ±	±0.3
1 PLC ±	±
2 PLC ±	±
3 PLC ±	±
4 PLC ±	±
ANGLES	±1°
MATERIAL VEDERE TABELLA (SEE TABLE)	FINISH VEDERE TABELLA (SEE TABLE)

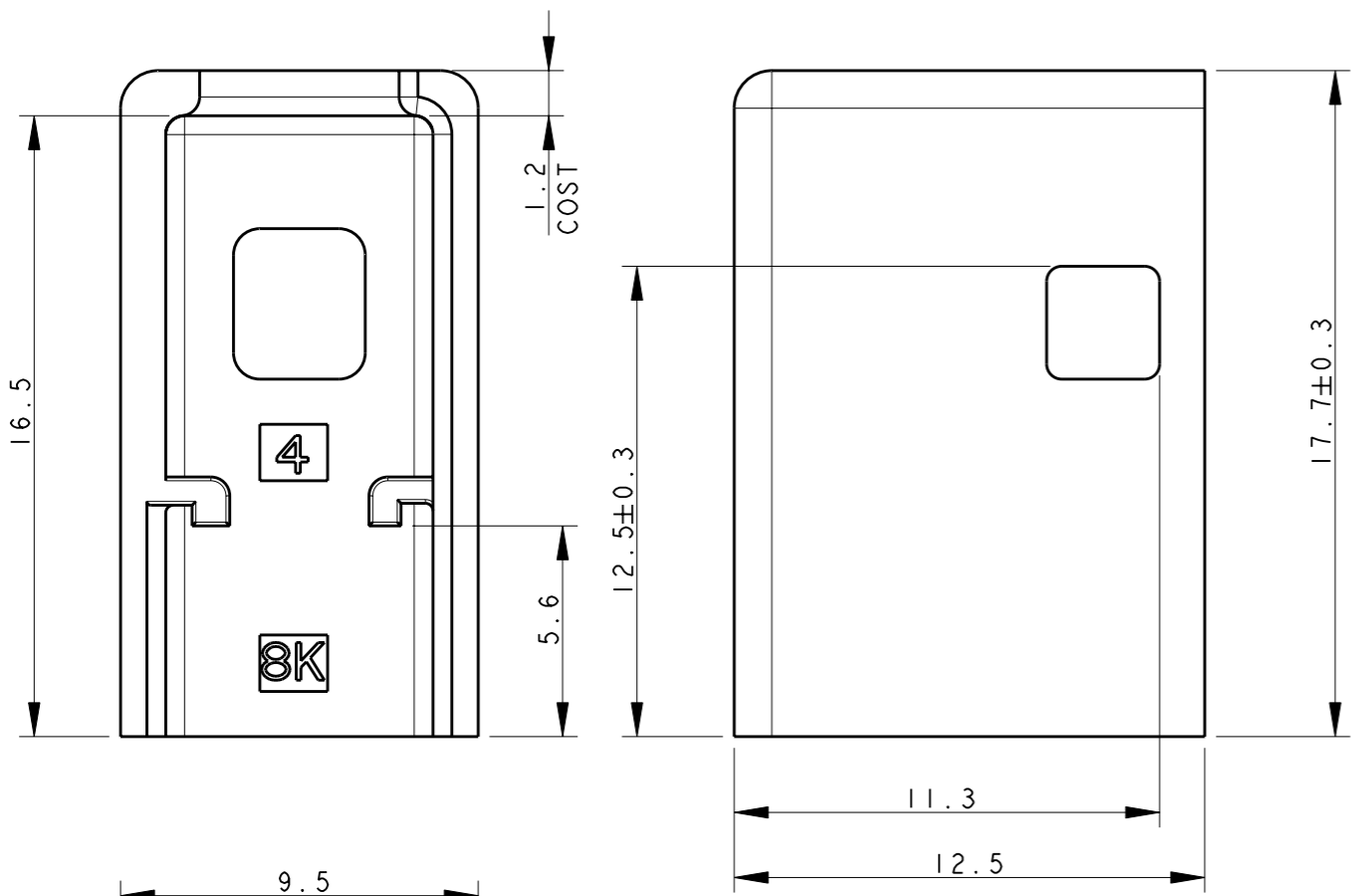
DWN	M. PALMA	22APR2002
CHK	R. MARTINI	22APR2002
APVD	A. GENTA	22APR2002
PRODUCT SPEC	-	
APPLICATION SPEC	-	
WEIGHT	2,6 gr	

Tyco Electronics		AMP Italia S.r.l.	
		C.so F.lli Cervi 15 Collegno (TO)	
NAME 8 POS. MICRO QUADLOK SYSTEM PIN CONNECTOR ASS'Y			
SIZE	CAGE CODE	DRAWING NO	RESTRICTED TO
A3	00779	C-284869	-
CUSTOMER DRAWING		SCALE 5:1	SHEET 1 OF 2 REV A4

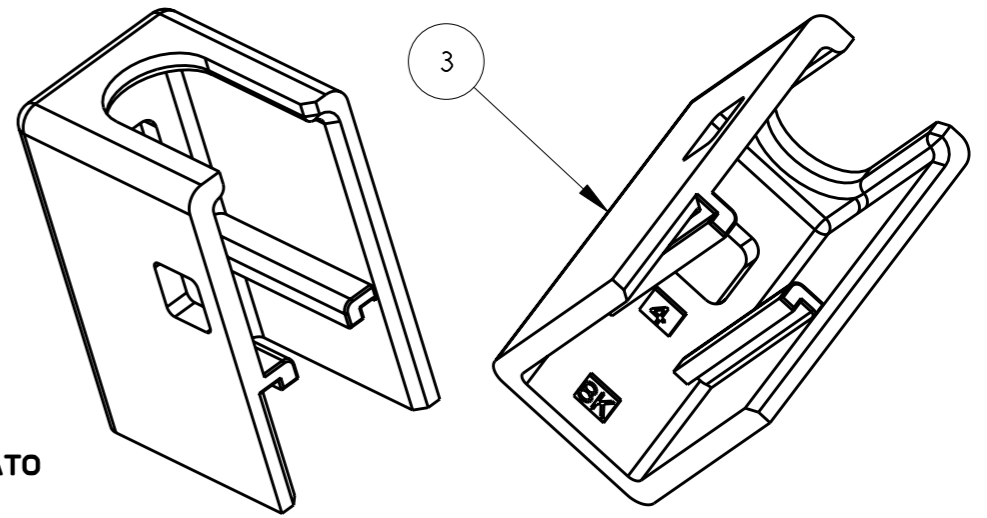
PER DIMENSIONI E NOTE MANCANTI VEDERE P/N 284869-1 (FOR MISSING DIMENSIONS AND NOTES SEE P/N 284869-1)

THIS DRAWING IS UNPUBLISHED. RELEASED FOR PUBLICATION 2002
 © COPYRIGHT 2002 BY TYCO ELECTRONICS CORPORATION. ALL RIGHTS RESERVED.

LOC		DIST		REVISIONS				
P	LTR	DESCRIPTION			DATE	DWN	APVD	
1	-	VEDERE PAG. 1 (SEE SHEET 1)						

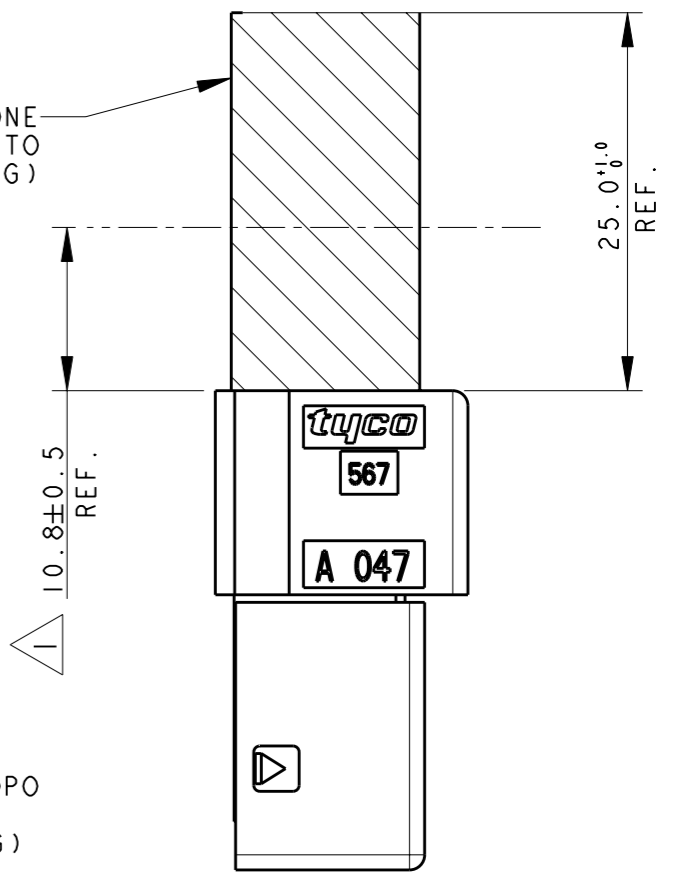


**ITEM 3
COLOUR RED**

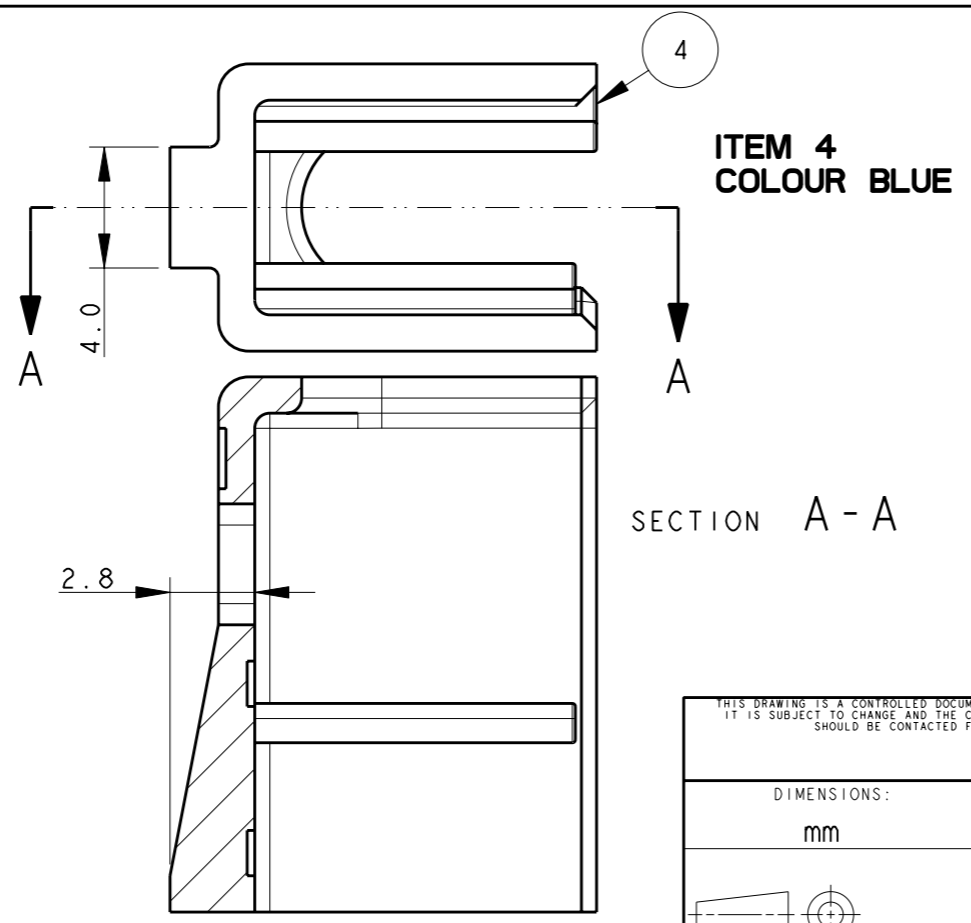


**AGGANCIAMENTO SECONDARIO COME INDICATO
(SECONDARY LOCK AS SHOWN)**

INGOMBRO DELLA CONNESSIONE PRIMA DELL'ACCOPIAMENTO
(CONNECTING AREA BEFORE MATING)



INGOMBRO DELLA CONNESSIONE DOPO L'ACCOPIAMENTO.
(CONNECTING AREA AFTER MATING)



**ITEM 4
COLOUR BLUE**

SECTION A - A

PER DIMENSIONI E NOTE MANCANTI
VEDERE ITEM -3-
(FOR MISSING DIMENSIONS
AND NOTES SEE ITEM -3-)

THIS DRAWING IS A CONTROLLED DOCUMENT FOR TYCO ELECTRONICS CORPORATION IT IS SUBJECT TO CHANGE AND THE CONTROLLING ENGINEERING ORGANIZATION SHOULD BE CONTACTED FOR THE LATEST REVISION.		DWN M. PALMA 22APR2002	AMP Italia S.r.l. C.so F.lli Cervi 15 Collegno (TO)	
DIMENSIONS: mm		CHK R. MARTINI 22APR2002	Tyco Electronics	
TOLERANCES UNLESS OTHERWISE SPECIFIED: 0 PLC ± 1 PLC ±0.3 2 PLC ± 3 PLC ± 4 PLC ± ANGLES ±1°		APVD A. GENTA 22APR2002	NAME 8 POSITION MICRO QUADLOK SYSTEM PIN CONNECTOR ASS'Y	
MATERIAL VEDERE TABELLA PAG. 1 (SEE TABLE SHEET 1)	FINISH VEDERE TABELLA PAG. 1 (SEE TABLE SHEET 1)	PRODUCT SPEC -	APPLICATION SPEC -	RESTRICTED TO -
CUSTOMER DRAWING		WEIGHT -	SIZE A3	CAGE CODE 00779
		DRAWING NO C-284869		SCALE 5:1
		SHEET 2 OF 2		REV A4

单击下面可查看定价，库存，交付和生命周期等信息

[>>TE Connectivity\(泰科\)](#)