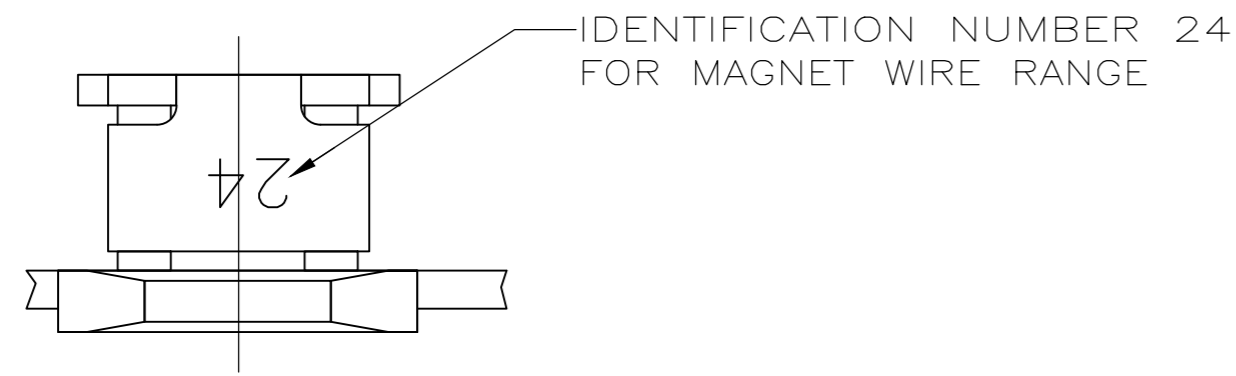
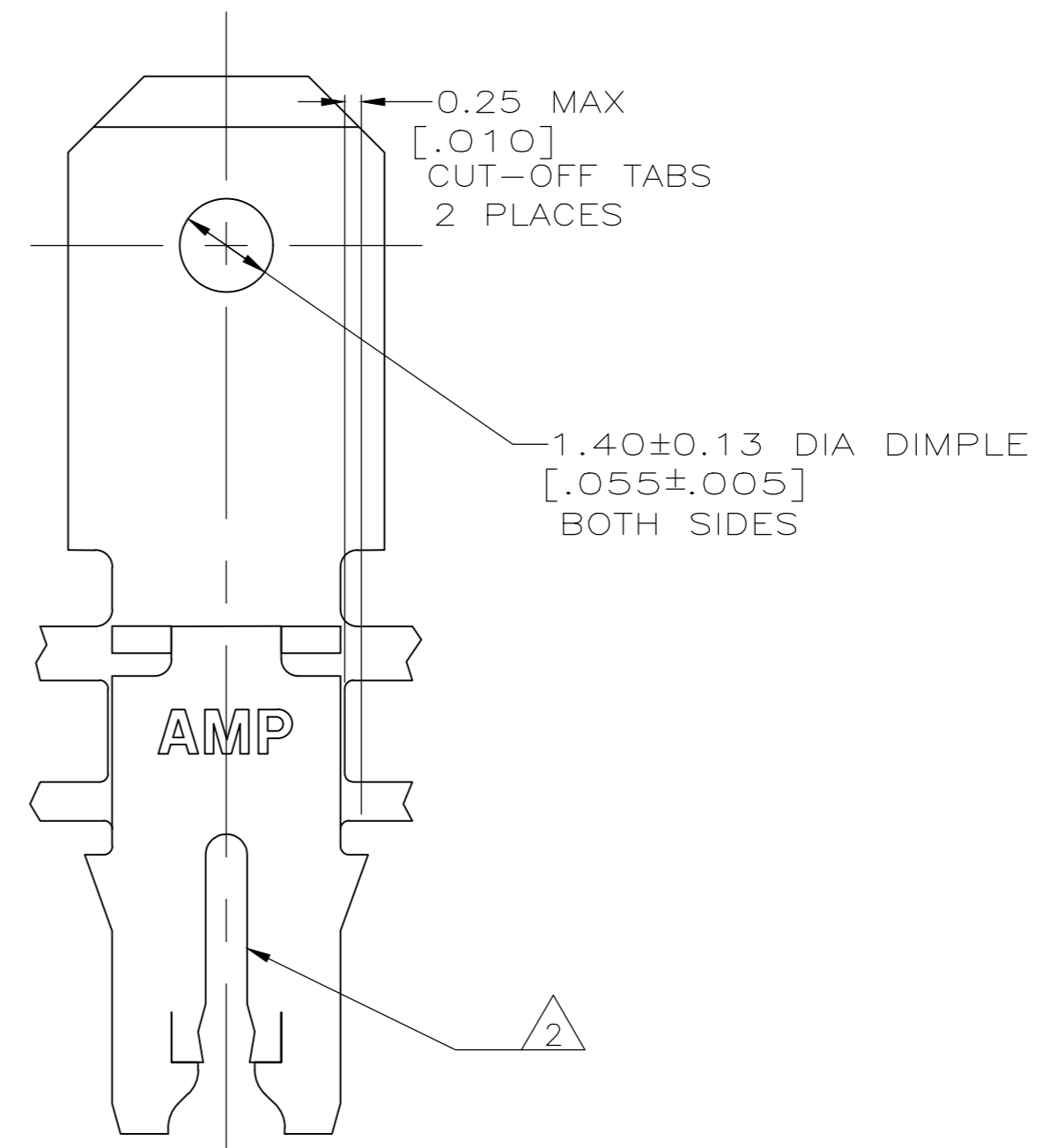
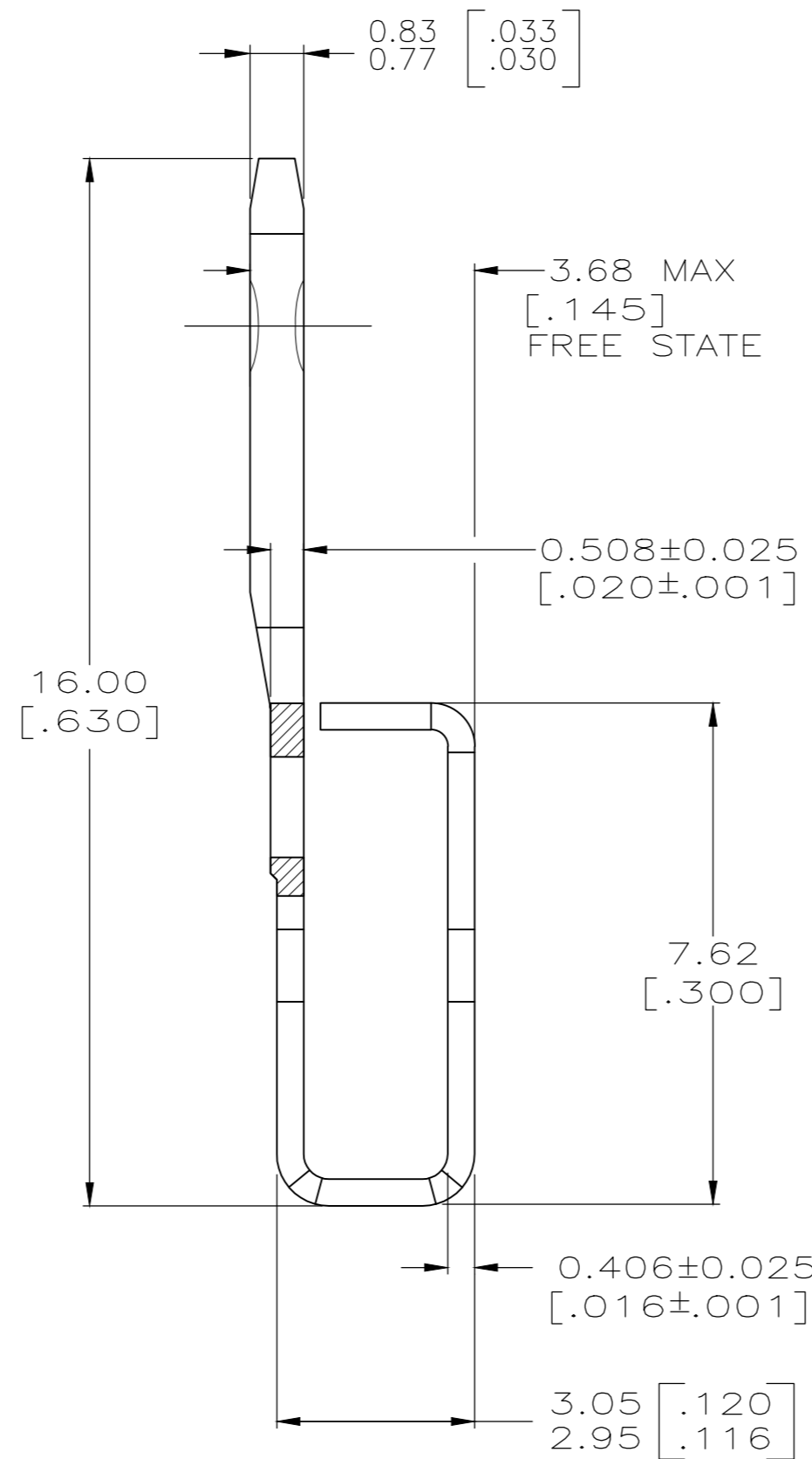
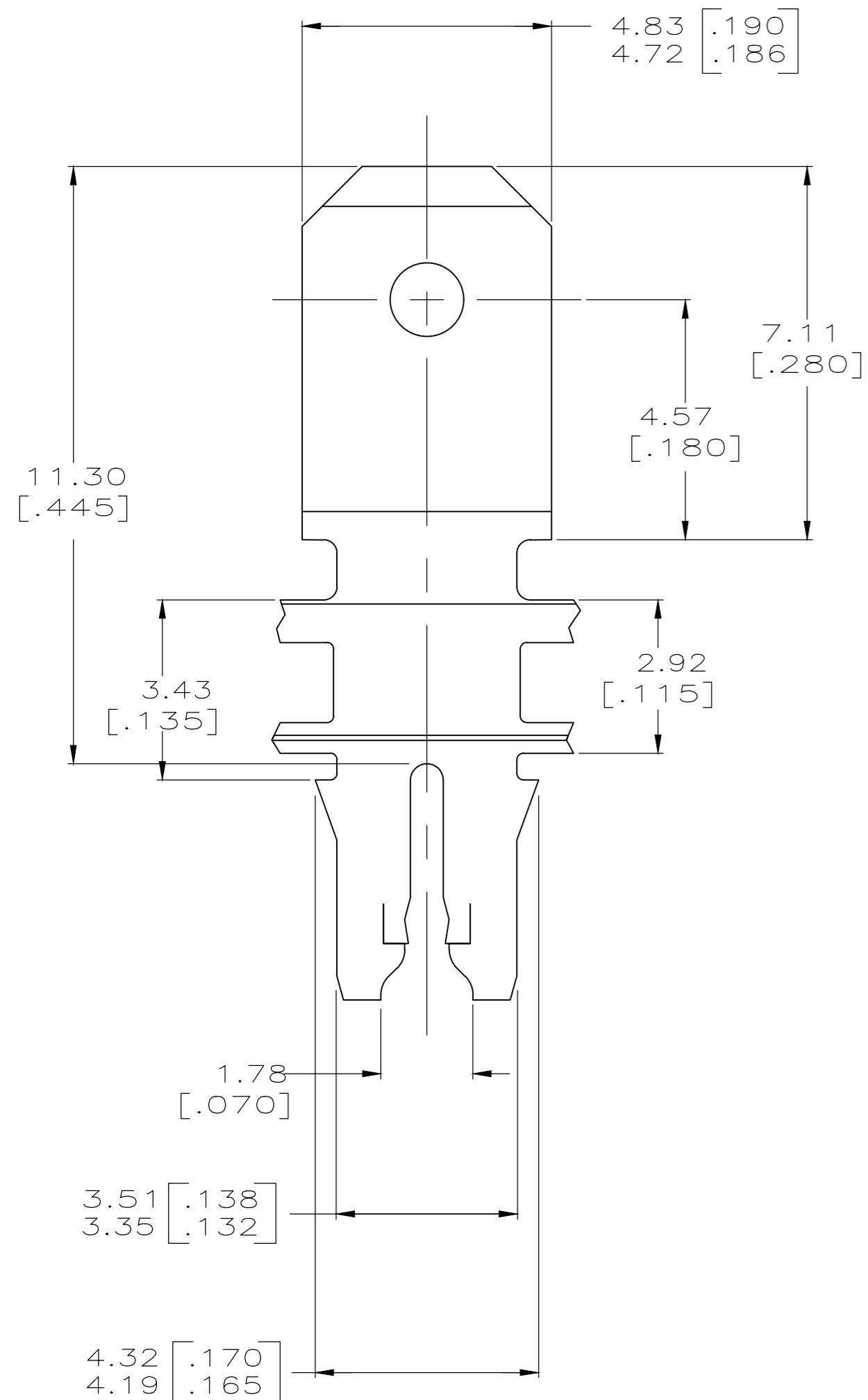


THIS DRAWING IS UNPUBLISHED. RELEASED FOR PUBLICATION
 © COPYRIGHT - By - ALL RIGHTS RESERVED.

LOC		DIST		REVISIONS			
P	LTR	DESCRIPTION		DATE	DWN	APVD	
AF	50	C		WIRE SIZE EXTENDED TO 16.5AWG	11NOV2019	JA	PKS



- CONTINUOUS STRIP ON REELS WITH TERMINALS LOCATED ON 5.59 ± 0.08 [.220 ± .003] CENTERS.
- SLOT TERMINATES A SINGLE MAGNET WIRE ONLY. COPPER REANGE: 0.91–1.20mm [#19–#16.5] AWG. ALUMINUM RANGE: 0.95–1.20mm [#18.5–#16.5] AWG. ALUMINUM WIRE RANGE APPLIES FOR POST-TIN PLATED VERSIONS ONLY.
- AFTER INSERTION INTO PLASTIC HOLDER TAB PORTION MUST BE BENT OVER 45° TO 90° OR POTTED-IN TO PREVENT PULL-OUT WHEN MATING RECEPTACLE IS DISCONNECTED.
- PREPRODUCTION – FASR REQUIRED



1742035-1
PART NUMBER

THIS DRAWING IS A CONTROLLED DOCUMENT.		DWN 09DEC2003 MICHAEL S. FEHER	TE Connectivity	
DIMENSIONS: mm [INCHES]		CHK 09DEC2003 KURT A. RANDOLPH		
TOLERANCES UNLESS OTHERWISE SPECIFIED:		APVD 09DEC2003 KURT A. RANDOLPH	NAME	
0 PLC ± -	1 PLC ± -	PRODUCT SPEC	TERMINAL, TAB, 4.75 [.187] FASTON,™ 300 SERIES MAG-MATE™	
2 PLC ± 0.25 [.010]	3 PLC ± -	APPLICATION SPEC	SIZE	CAGE CODE
4 PLC ± -	ANGLES ± -	114-2046	A2	00779
MATERIAL	FINISH	WEIGHT	DRAWING NO	RESTRICTED TO
082 PRE-MILLED BRASS	0.002032 [.000080] MIN TIN PLATE	-	C=1742035	-
CUSTOMER DRAWING			SCALE	SHEET
			10:1	1 of 1
			REV	C

单击下面可查看定价，库存，交付和生命周期等信息

[>>TE Connectivity\(泰科\)](#)