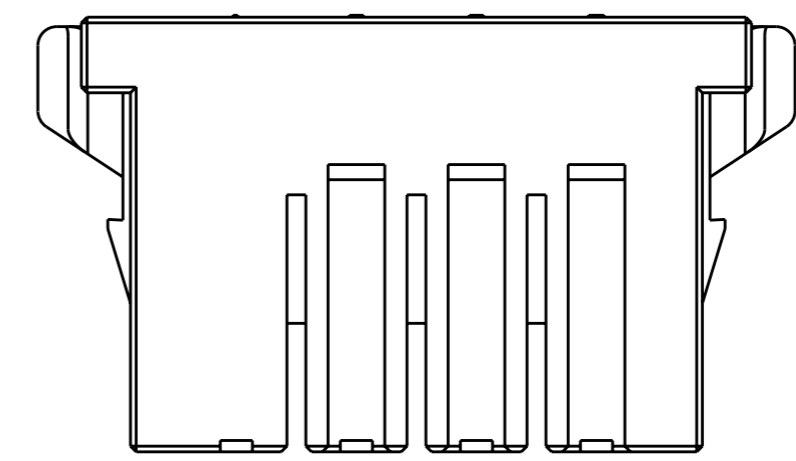
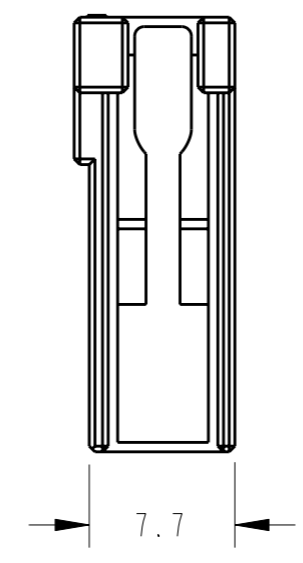
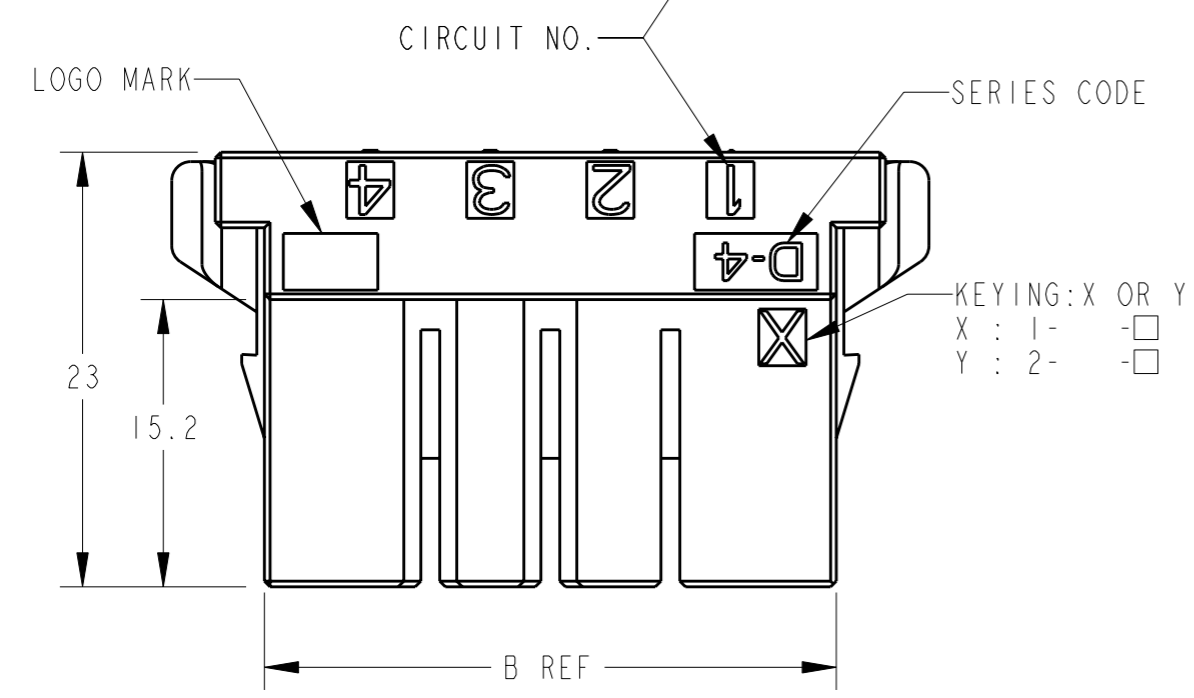
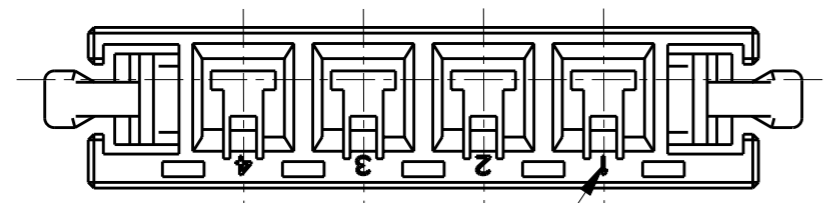
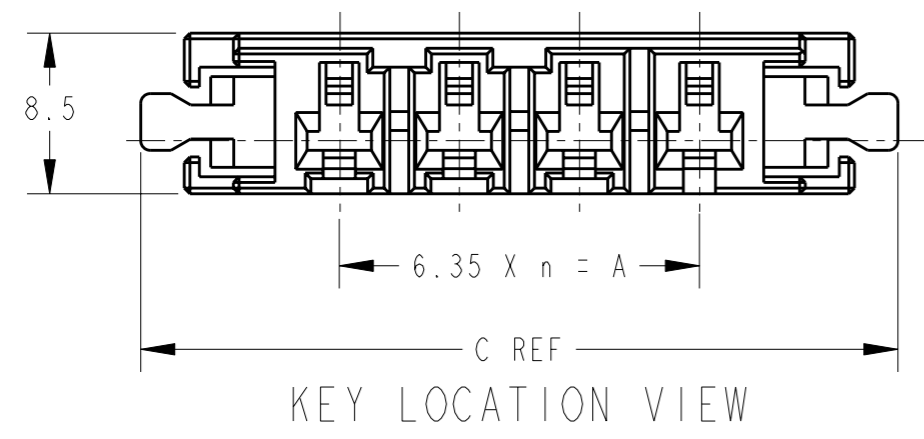


THIS DRAWING IS UNPUBLISHED. RELEASED FOR PUBLICATION 20  
 © COPYRIGHT 20 BY TYCO ELECTRONICS CORPORATION. ALL RIGHTS RESERVED.

LOC	DIST	REVISIONS					
		P	LTR	DESCRIPTION	DATE	DWN	APVD
J	-		A	REVISED PER ECR-10-017116	24AUG2010	HMR	TM



NOTES  
 1. MATERIAL: GLASS FILLED THERMO PLASTIC POLYESTER(94V-0), COLOR: BLACK  
 注記  
 1. 材料: ガラス入り熱可塑性ポリエステル樹脂(94V-0)、色: 黒



TE															
TE	4	3		19.05	30.25	40.05	Y	2-1747276-4							
TE	4	3		19.05	30.25	40.05	X	1-1747276-4							
TE	3	2		12.70	23.90	33.70	Y	2-1747276-3							
TE	3	2		12.70	23.90	33.70	X	1-1747276-3							
TYCO	2	1		6.35	17.55	27.35	Y	2-1747276-2							
TYCO	2	1		6.35	17.55	27.35	X	1-1747276-2							
LOGO MARK	POS.	n	KEY LOCATION	A	B	C	KEY	PERT NUMBER							

THIS DRAWING IS A CONTROLLED DOCUMENT FOR TYCO ELECTRONICS CORPORATION IT IS SUBJECT TO CHANGE AND THE CONTROLLING ENGINEERING ORGANIZATION SHOULD BE CONTACTED FOR THE LATEST REVISION.		DWN T. KUDO 26AUG2004 CHK D. MITSUGI 26AUG2004 APVD D. MITSUGI 26AUG2004		Tyco Electronics AMP K.K. Kawasaki, Japan	
DIMENSIONS: 単位: 珪 mm		TOLERANCES UNLESS OTHERWISE SPECIFIED: 一般公差 ±0.3, ±3° 0-PLC ± 1-PLC ±0.2 2-PLC ±0.03 3-PLC ±0.005 4-PLC ± ANGLES ± ±		NAME 名称 DYNAMIC D-4200 RECEPTACLE HOUSING	
		PRODUCT SPEC 製品規格 108-78182		SIZE A3 CAGE CODE DRAWING NO 番号 C-1747276	
MATERIAL 材料 -		FINISH 仕上 -		RESTRICTED TO -	
CUSTOMER DRAWING				SCALE 尺度 SHEET OF REV A	

单击下面可查看定价，库存，交付和生命周期等信息

[>>TE Connectivity\(泰科\)](#)