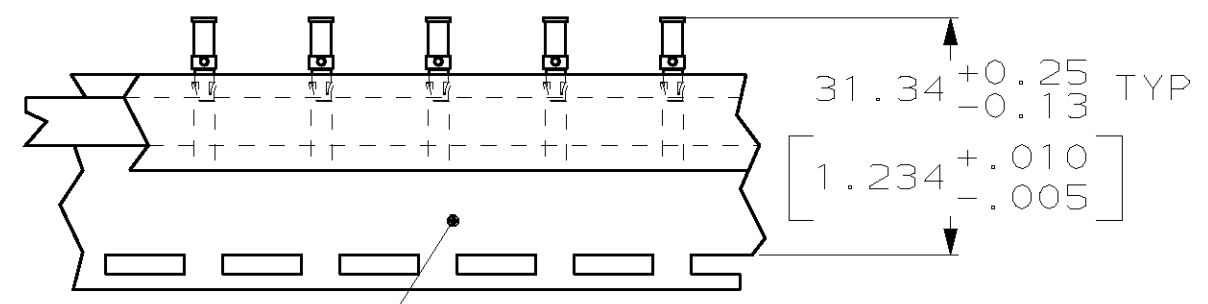
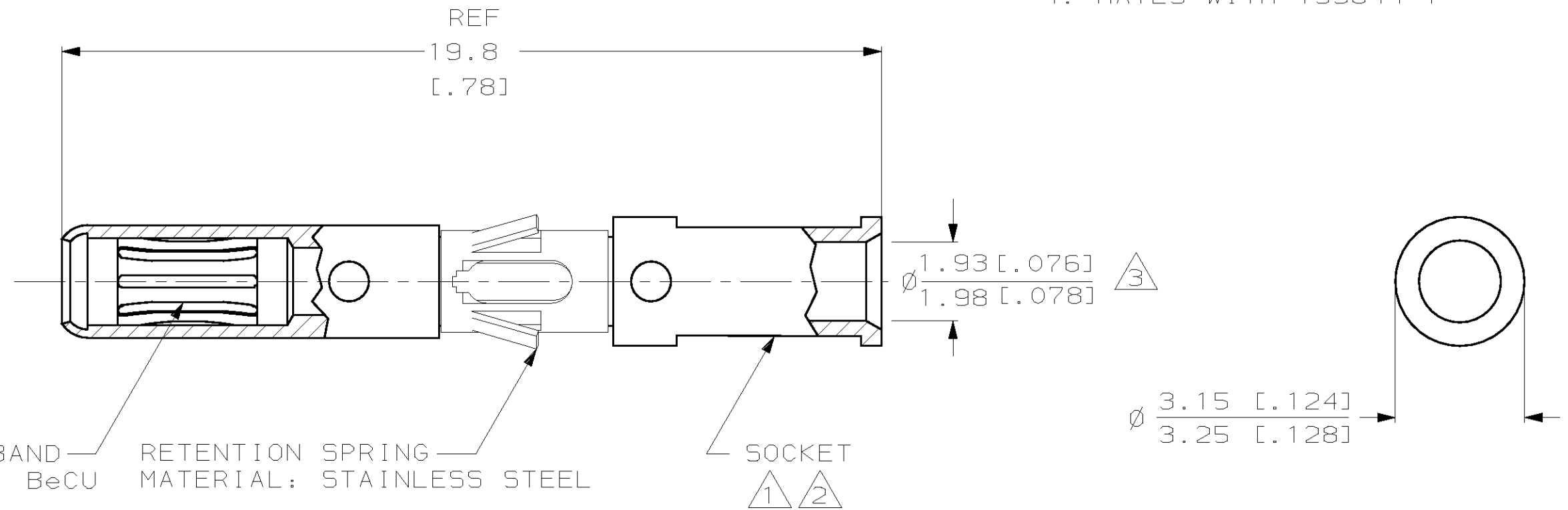


THIS DRAWING IS UNPUBLISHED. RELEASED FOR PUBLICATION, 19 .
 © COPYRIGHT 19 BY AMP INCORPORATED. ALL RIGHTS RESERVED.

LOC	DIST	REVISIONS			
P	LTR	DESCRIPTION	DATE	DWN	APVD
CH	11	C	ADDED -2	21/NOV/95	RNP PG

5 WHEN ORDERING CONTACT ASSEMBLIES ON TAPE, ORDER BY PART NUMBER PLUS THE PACKAGING CODE AS FOLLOWS:
 A. 5000 PARTS PER REEL ADD PACKAGING CODE: 5MREEL
 I.E. ORDER # 193846-2, 5MREEL

- 1 MATERIAL: COPPER ALLOY
- 2 FINISH: SOCKET; 200 μINCHES MIN. SILVER OVER 50 μINCHES MIN. NICKEL BAND; 10 μINCHES MIN. GOLD OVER 40 μINCHES MIN. NICKEL
- 3 WIRE BARREL WILL ACCEPT #14AWG WIRE
- 4. MATES WITH 193844-1



5 TAPE MTG (SEE DETAIL)	193846-2
STANDARD	193846-1
PACKAGING TYPE	PART NO

THIS DRAWING IS A CONTROLLED DOCUMENT FOR AMP INCORPORATED. IT IS SUBJECT TO CHANGE AND THE CONTROLLING ENGINEERING ORGANIZATION SHOULD BE CONTACTED FOR THE LATEST REVISION.		DWN R N POLK 25/JAN/95	AMP Incorporated Harrisburg, PA 17105-3608	
DIMENSIONS: mm		CHK -	NAME	
TOLERANCES UNLESS OTHERWISE SPECIFIED: 0 PLC ±- 1 PLC ±- 2 PLC ±- 3 PLC ±- 4 PLC ±- ANGLES ±- FINISH		APVD -	SOCKET ASSY, #14 AWG HIGH CURRENT TYPE II/III+	
MATERIAL 1	2	PRODUCT SPEC -	SIZE A3	CAGE CODE 00779
		APPLICATION SPEC -	DRAWING NO C=193846	
		WEIGHT -	SCALE 8:1	SHEET 1 OF 1
		CUSTOMER DRAWING	REV C	

单击下面可查看定价，库存，交付和生命周期等信息

[>>TE Connectivity\(泰科\)](#)