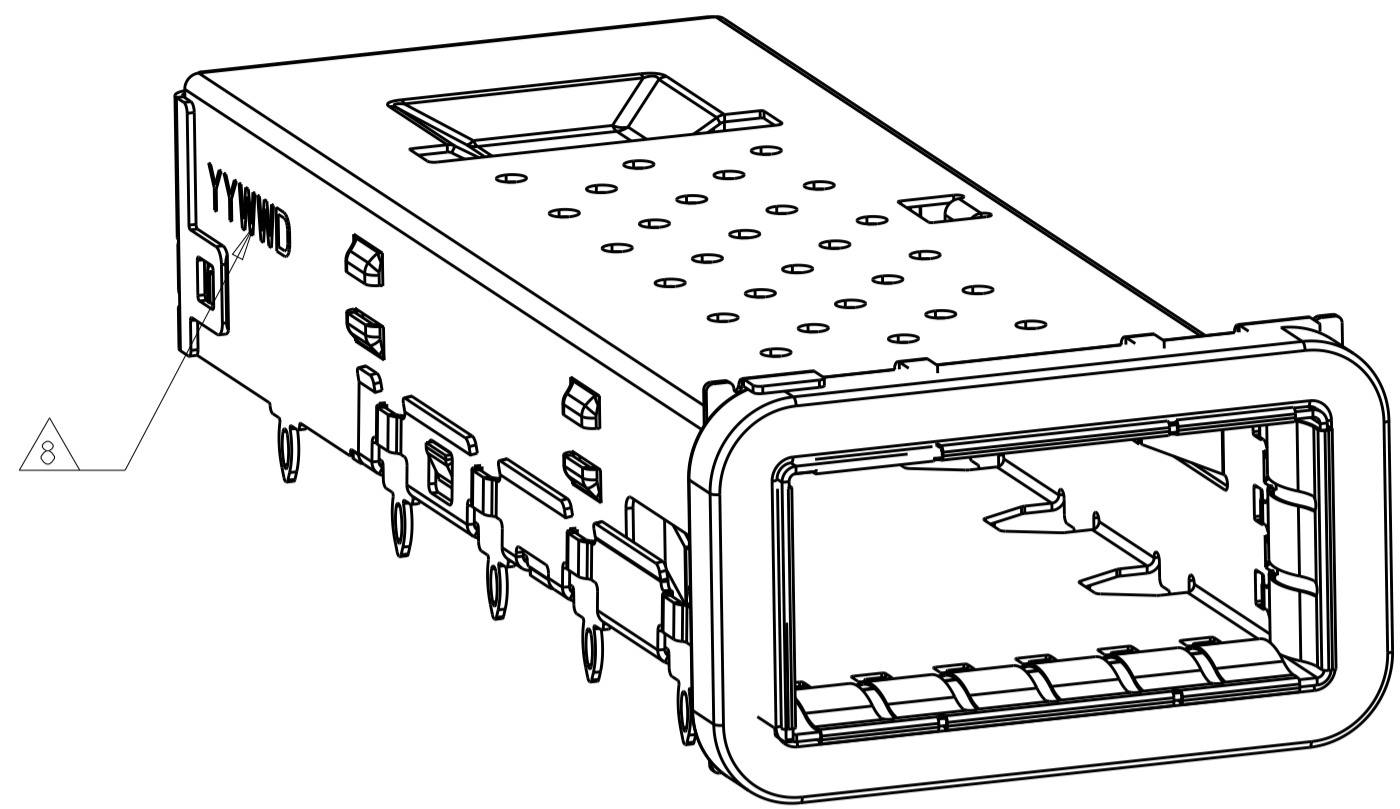
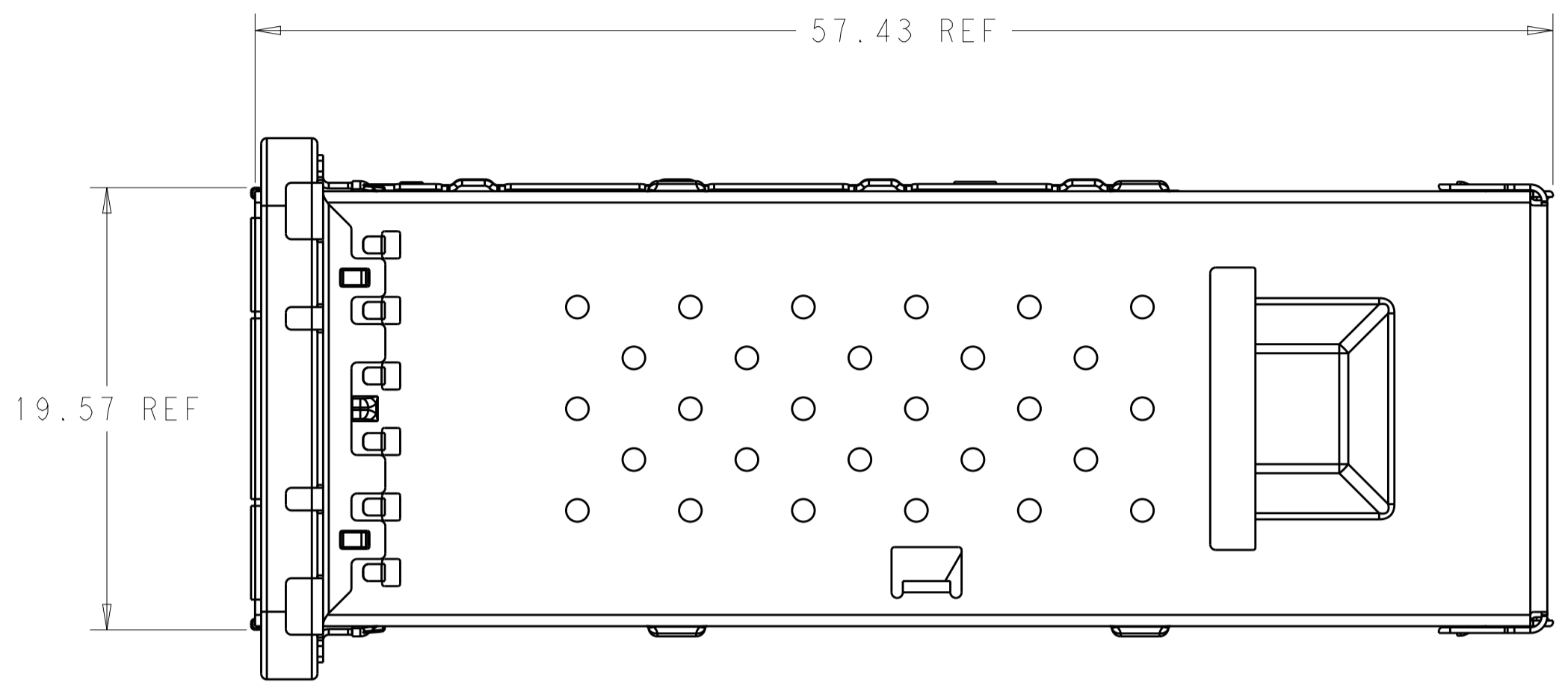


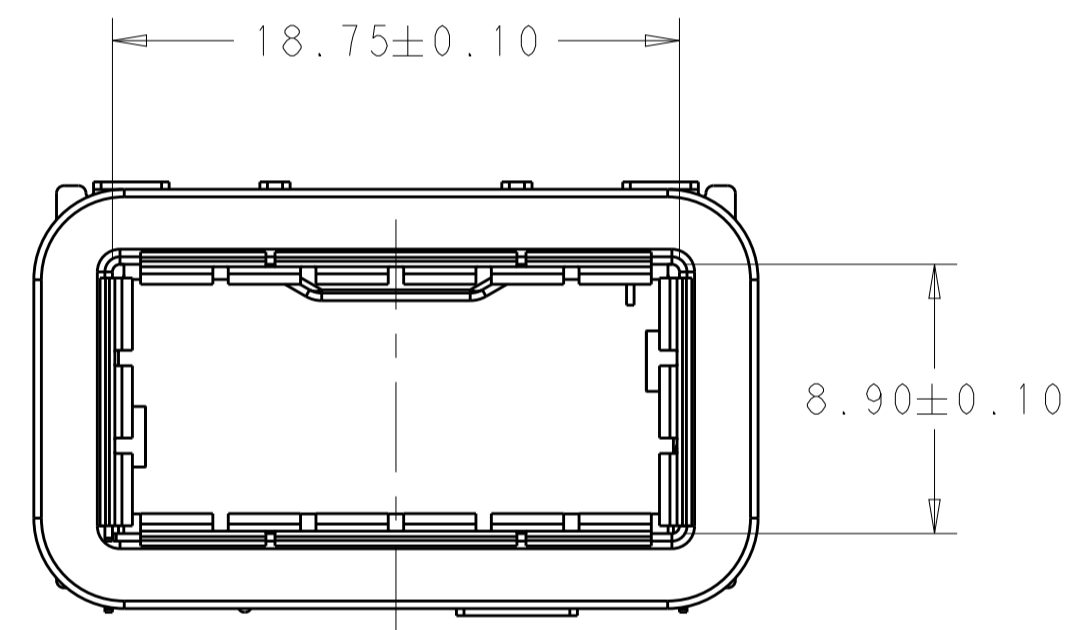
LOC		DIST		REVISIONS			
P	LTN	DESCRIPTION	DATE	DWN	APVD		
A		RELEASE	30DEC2015	JY	SH		



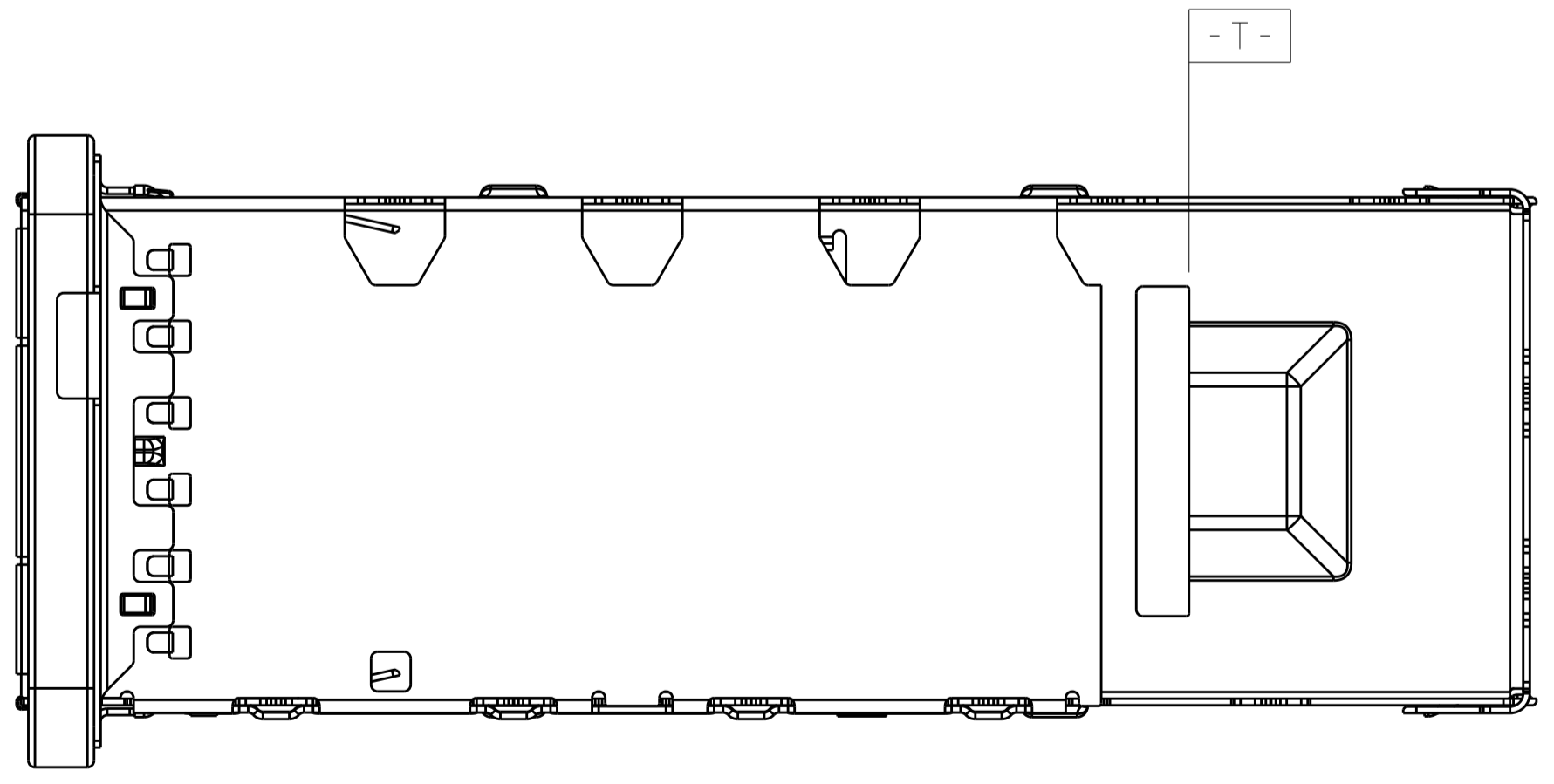
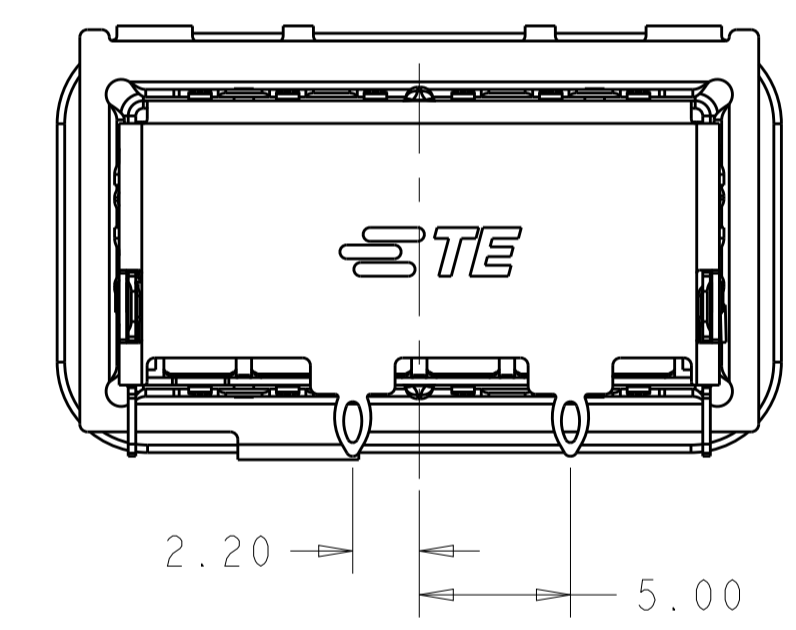
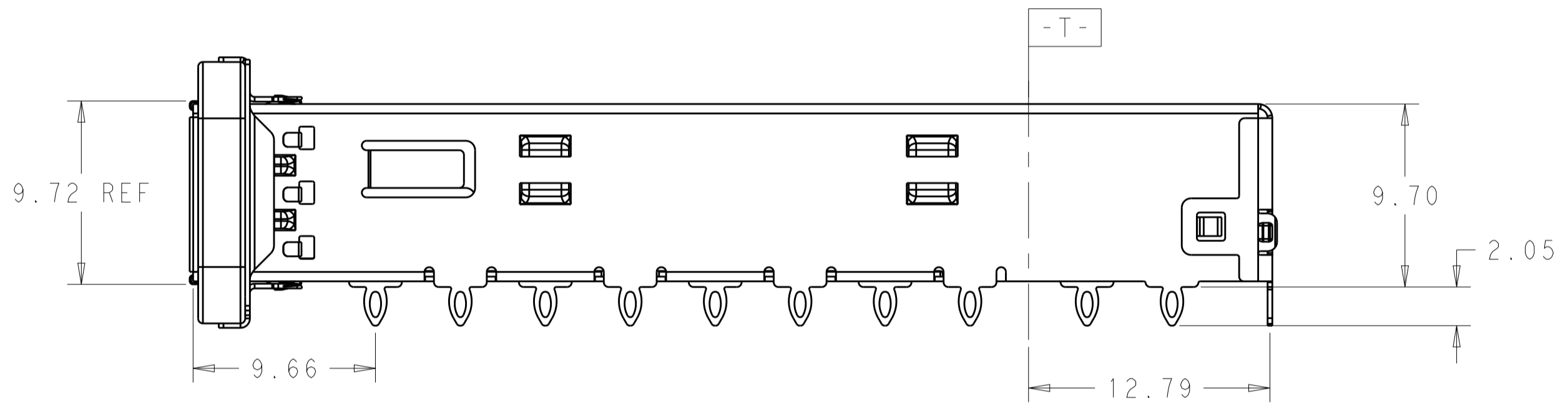
SCALE 4:1



- MATERIAL:  
 CAGE MATERIAL : 0.25 THICK NICKEL SILVER.  
 SPRING MATERIAL: COPPER ALLOY  
 EMI GASKET: PLATED FILLED SILICONE
  - FINISH:  
 SPRING: NICKEL PLATING
  - MATES WITH QSFP28 MSA COMPATIBLE TRANSCEIVER.
- ⚠ REFERENCE APPLICATION SPEC 114-32023 FOR RECOMMENDED DRILL HOLE DIAMETER AND PLATING THICKNESS.
  - ⚠ DATUM AND BASIC DIMENSIONS ESTABLISHED BY CUSTOMERS.
- MINIMUM PC BOARD THICKNESS :  
 SINGLES SIDED: 1.57 MIN  
 DOUBLE SIDED: 3.00 MIN
- ⚠ DATUM -A- IS TOP SURFACE OF THE HOST BOARD.
  - ⚠ DATE CODE (YYWWD) MARKED APPROXIMATELY AS SHOWN



SCALE 4:1



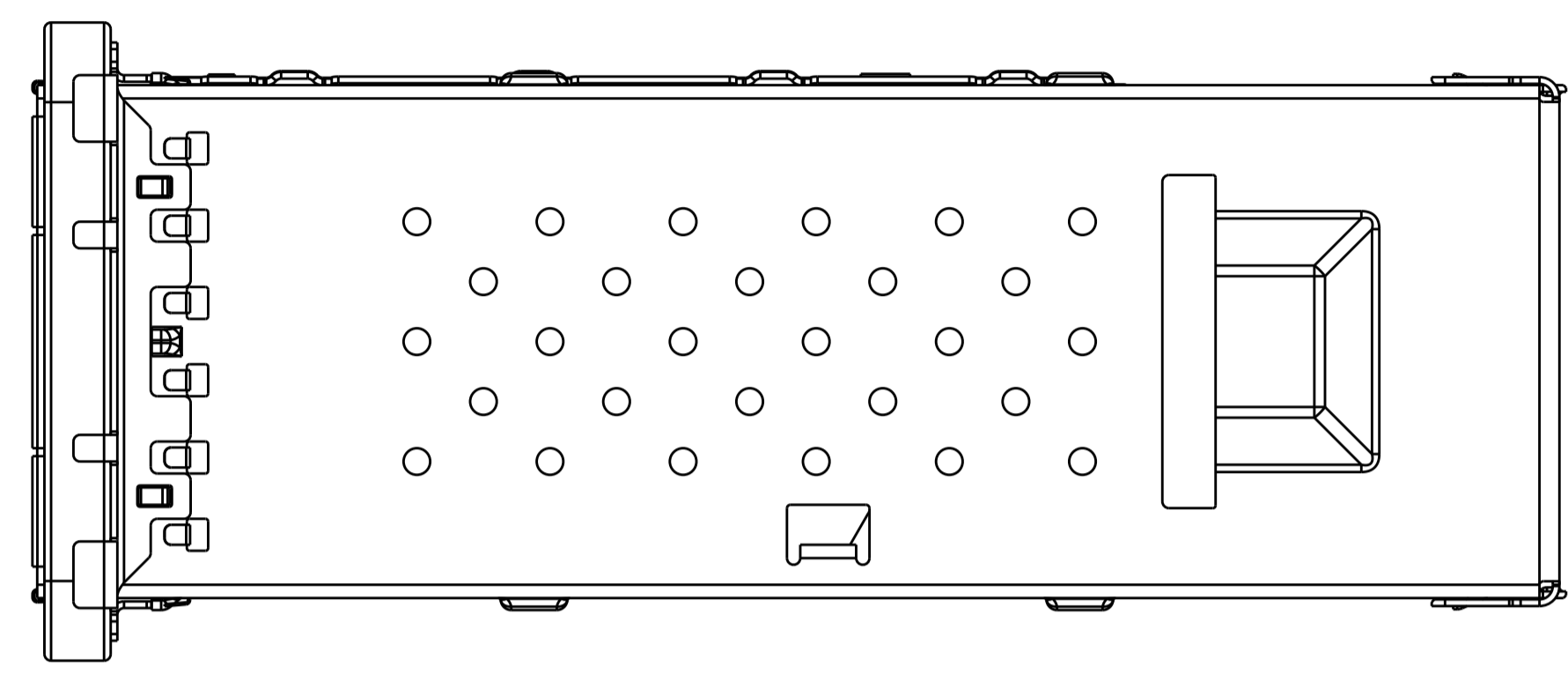
0	WITH	2170752-7
1	WITH	2170752-6
0	WITHOUT	2170752-5
1	WITHOUT	2170752-4
2	WITH	2170752-2
2	WITHOUT	2170752-1
# REAR PINS HEAT SINK OPEN		PART NUMBER

2170752-1 AS SHOWN

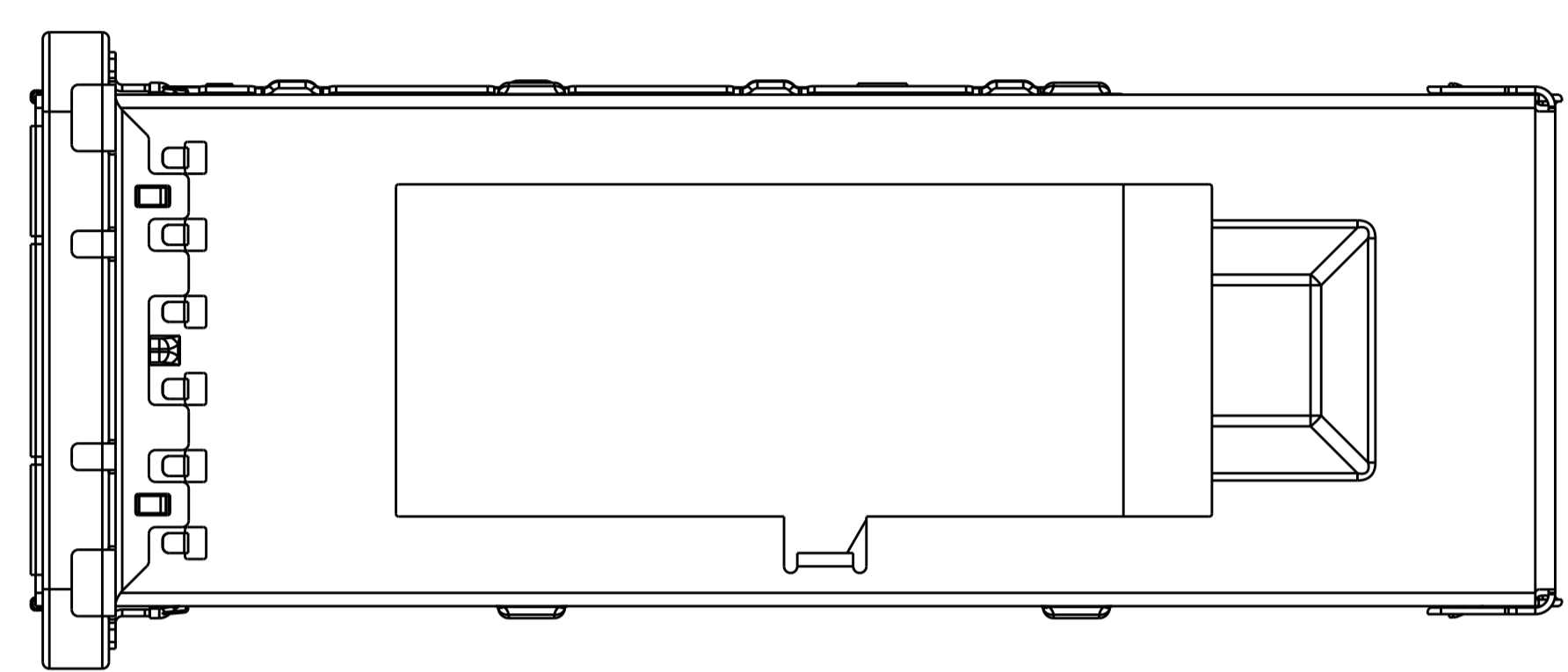
THIS DRAWING IS A CONTROLLED DOCUMENT.		DWN: JASON YANG 01APR2014	TE Connectivity	
		CHK: SEAN HAN 30DEC2015		
DIMENSIONS:		TOLERANCES UNLESS OTHERWISE SPECIFIED:		PRODUCT SPEC: 108-19428 APPLICATION SPEC: 114-32023
mm		0 PLC ±0.25 1 PLC ±0.25 2 PLC ±0.25 3 PLC ±0.100 4 PLC ± ANGLES ±°		
MATERIAL:		WEIGHT:	SIZE: A100779	RESTRICTED TO:
			C=2170752	
CUSTOMER DRAWING		SCALE: 4:1	SHEET 1 OF 5	REV A

LOC	DIST	REVISIONS			
P	LTN	DESCRIPTION	DATE	DWN	APVD
-	-	SEE SHEET 1	-	-	-

# HEAT SINK OPEN OPTIONS

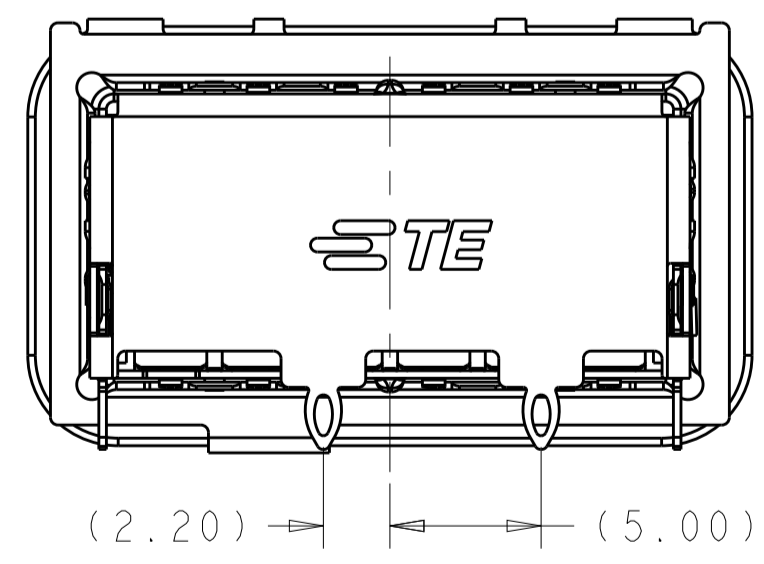


WITHOUT HEAT SINK OPEN  
SCALE 4:1

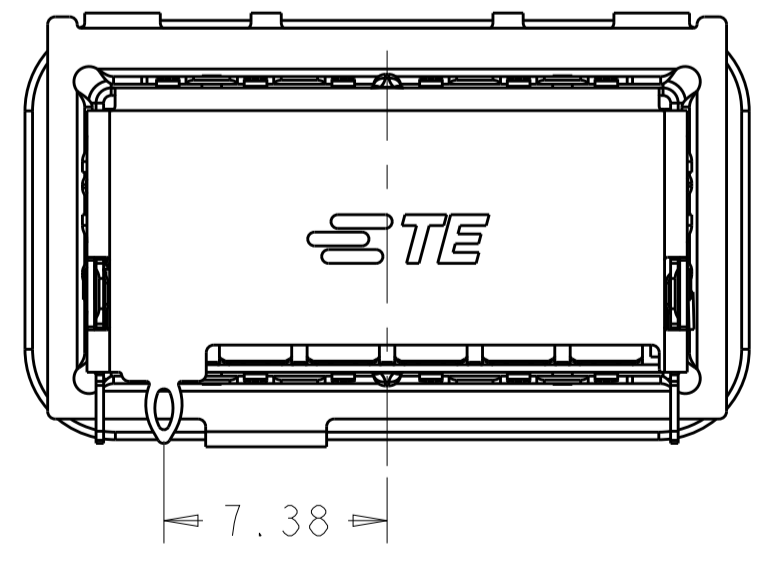


WITH HEAT SINK OPEN  
SCALE 4:1

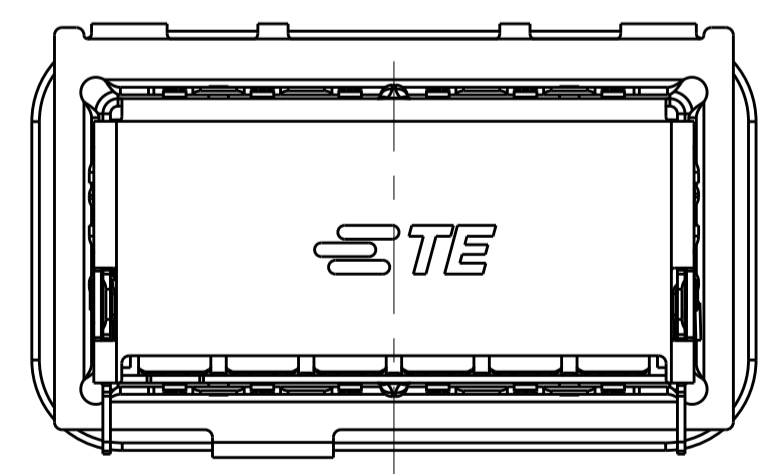
# # OF REAR LEGS OPTIONS



2 REAR LEGS VERSION  
SCALE 4:1



1 REAR LEG VERSION  
SCALE 4:1



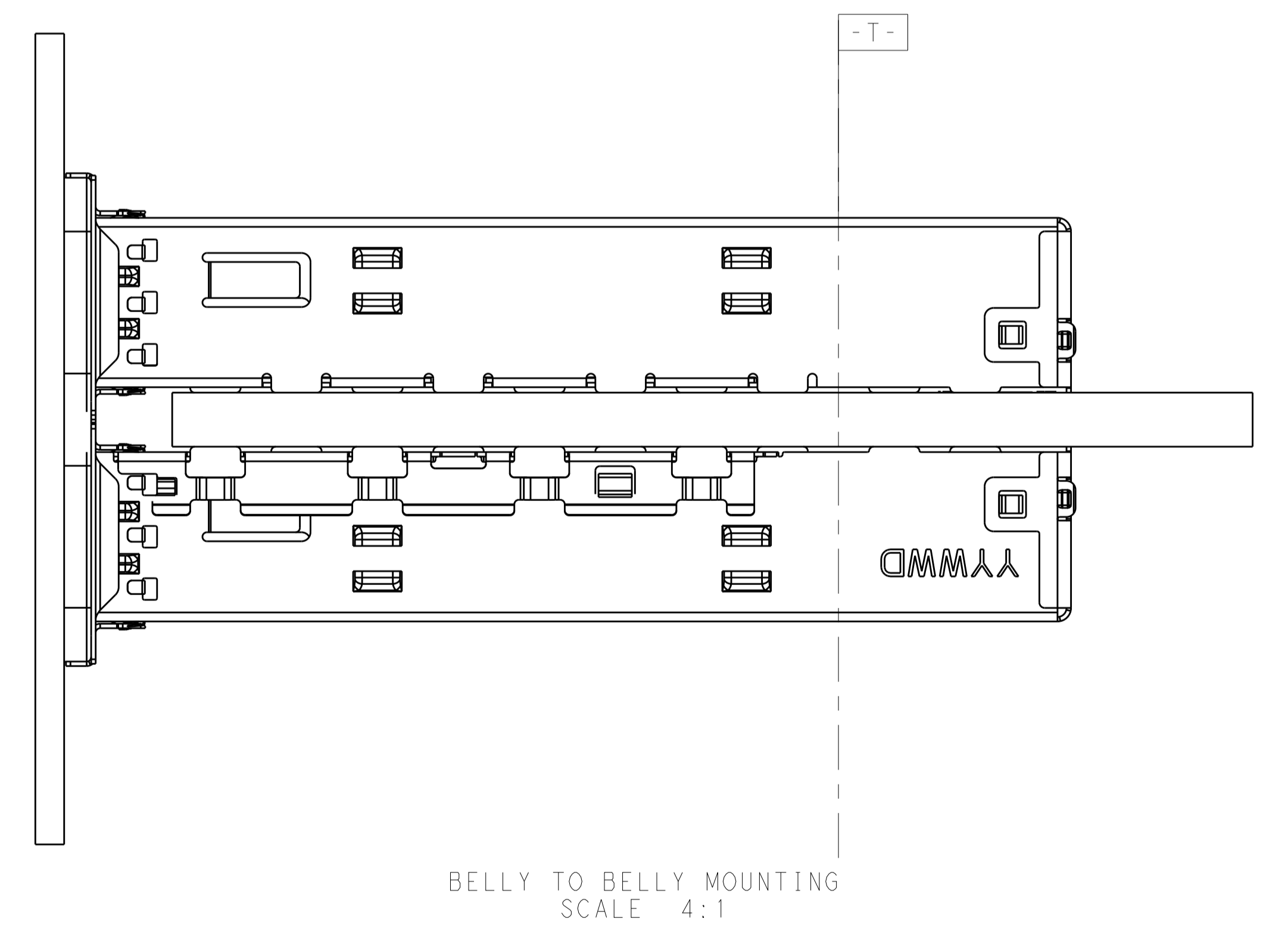
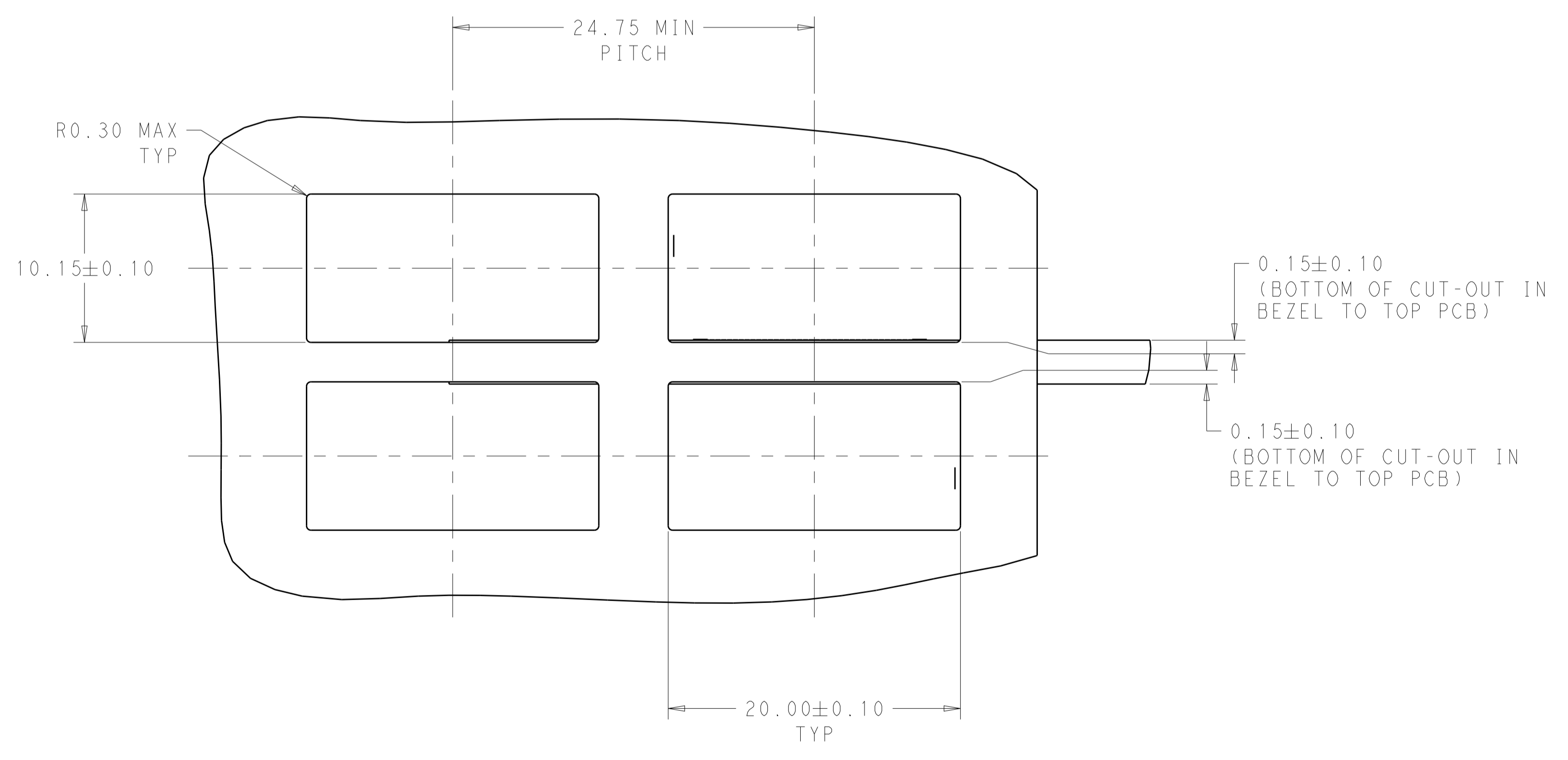
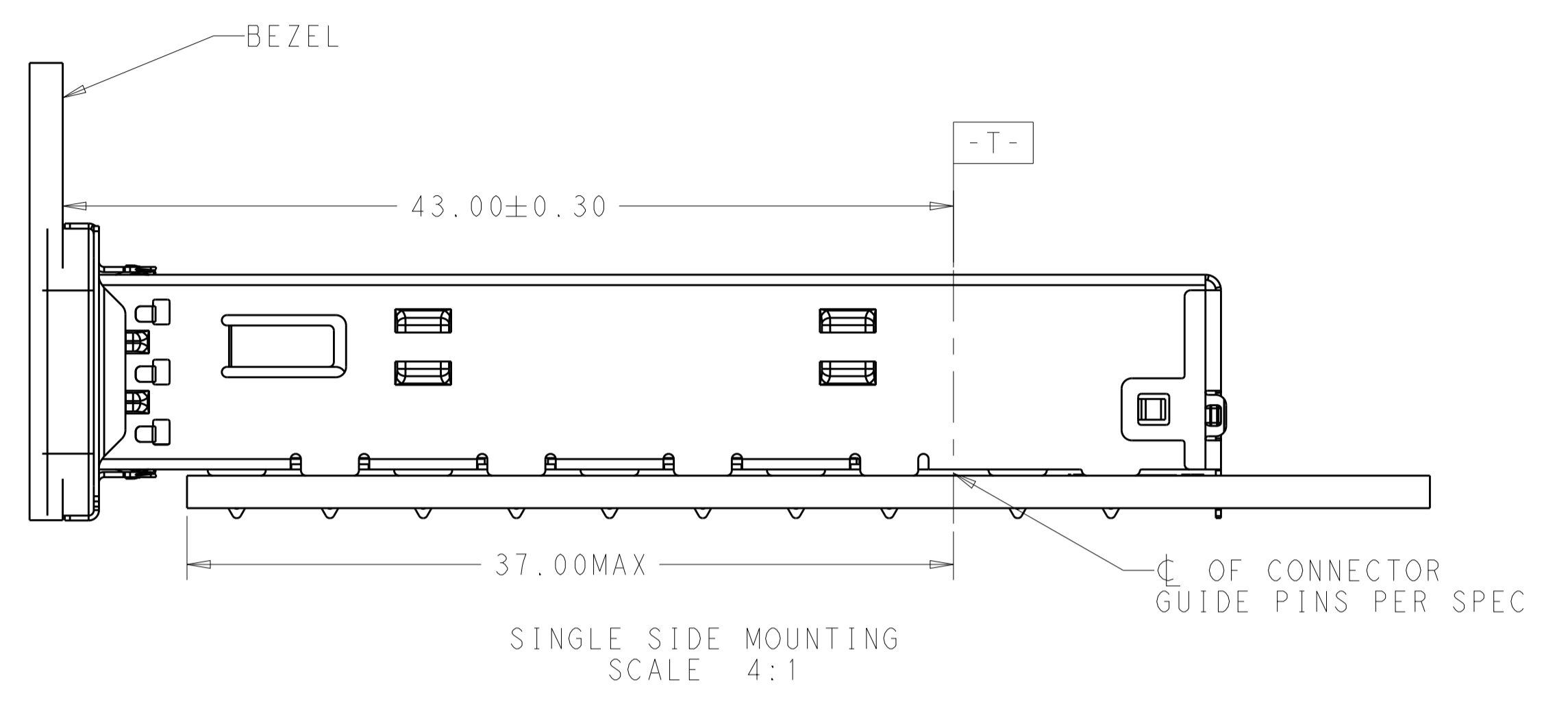
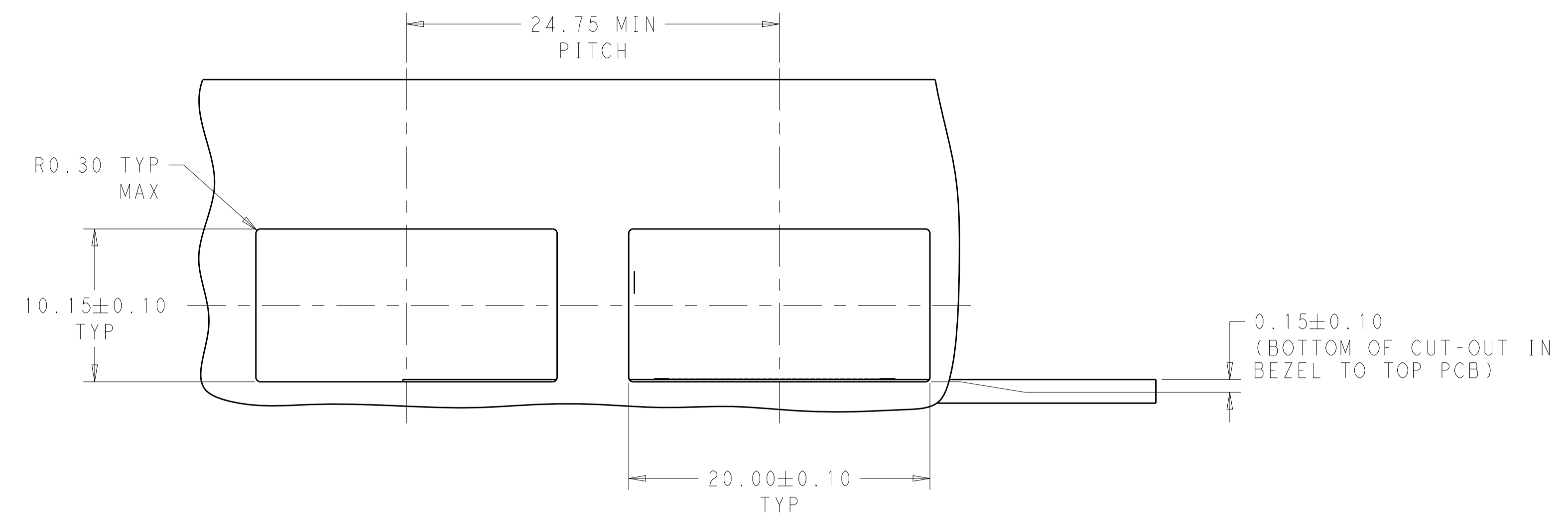
0 REAR LEG VERSION  
SCALE 4:1

THIS DRAWING IS A CONTROLLED DOCUMENT.		DWN: JASON YANG 01APR2014	TE Connectivity
		CHK: SEAN HAN 30DEC2015	
DIMENSIONS:		APVD:	NAME: CAGE ASSEMBLY, QSFP28 1X1, THRU BEZEL WITH EMI GASKET
mm	0 PLC ±0.25 1 PLC ±0.25 2 PLC ±0.25 3 PLC ±0.100 4 PLC ±	PRODUCT SPEC: 108-19428	SIZE: A
	TOLERANCES UNLESS OTHERWISE SPECIFIED:	APPLICATION SPEC:	CAGE CODE: 114-32023
	ANGLES	WEIGHT:	DRAWING NO: 2170752
MATERIAL:	FINISH:	Customer Drawing	RESTRICTED TO:
SCALE: 4:1			SHEET 2 OF 5
			REV: A

LOC	DIST	REV	DATE	BY	APPV
		1			

REVISIONS		DATE	BY	APPV
1	SEE SHEET 1			

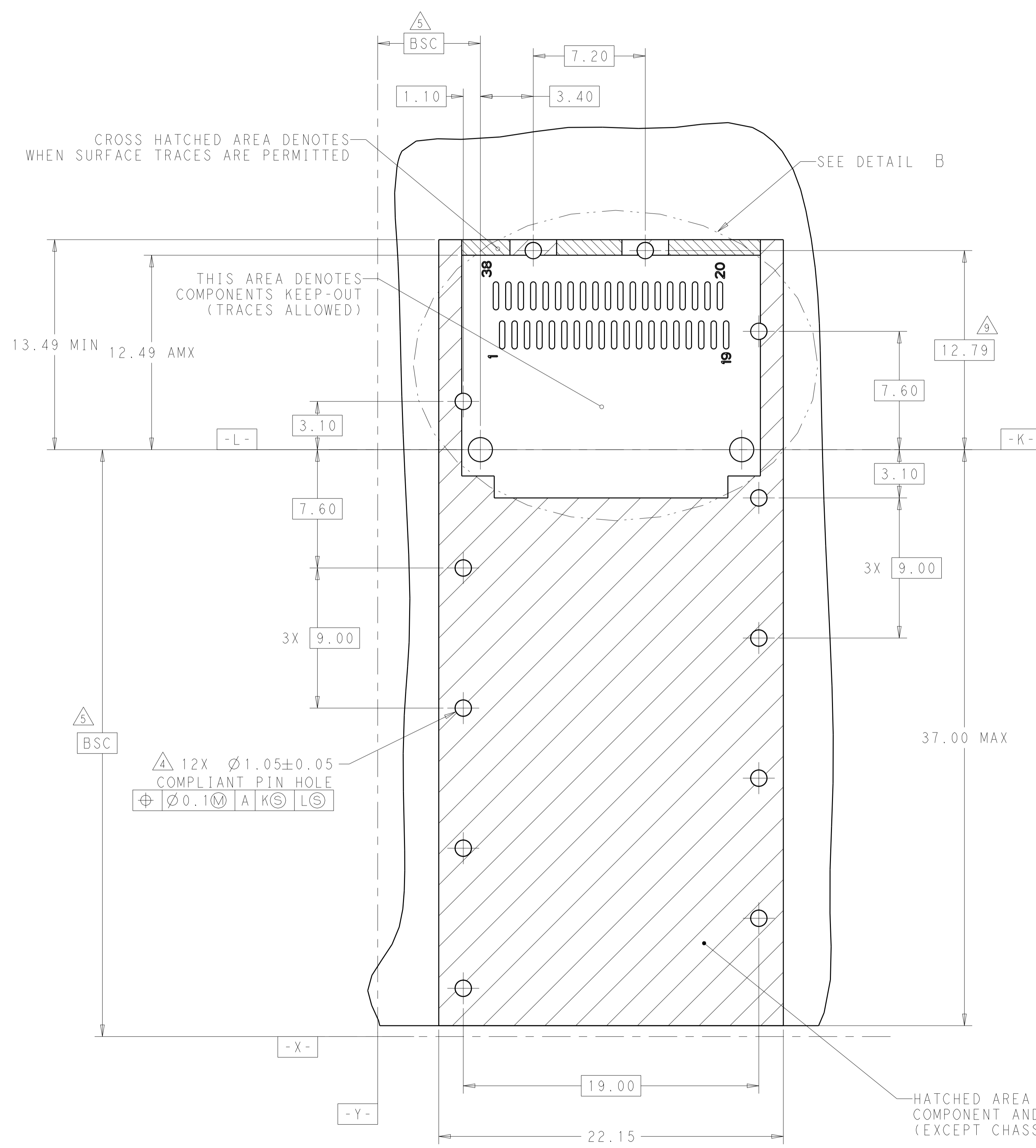


THIS DRAWING IS A CONTROLLED DOCUMENT.		OWN: JASON YANG 01APR2014	TE Connectivity
		CHK: SEAN HAN 30DEC2015	
DIMENSIONS:		APVD:	NAME: CAGE ASSEMBLY, QSFP28 1X1, THRU BEZEL WITH EMI GASKET
TOLERANCES UNLESS OTHERWISE SPECIFIED:		PRODUCT SPEC:	SIZE: CAGE CODE DRAWING NO: RESTRICTED TO
mm	0 PLC ±0.25	108-19428	A100779C=2170752
	1 PLC ±0.25	APPLICATION SPEC:	SCALE: 4:1 SHEET 3 OF 5 REV A
	2 PLC ±0.20	114-32023	
	3 PLC ±0.100	WEIGHT:	
	4 PLC ±"	Customer Drawing	
	ANGLES ±"		
MATERIAL:	FINISH:		

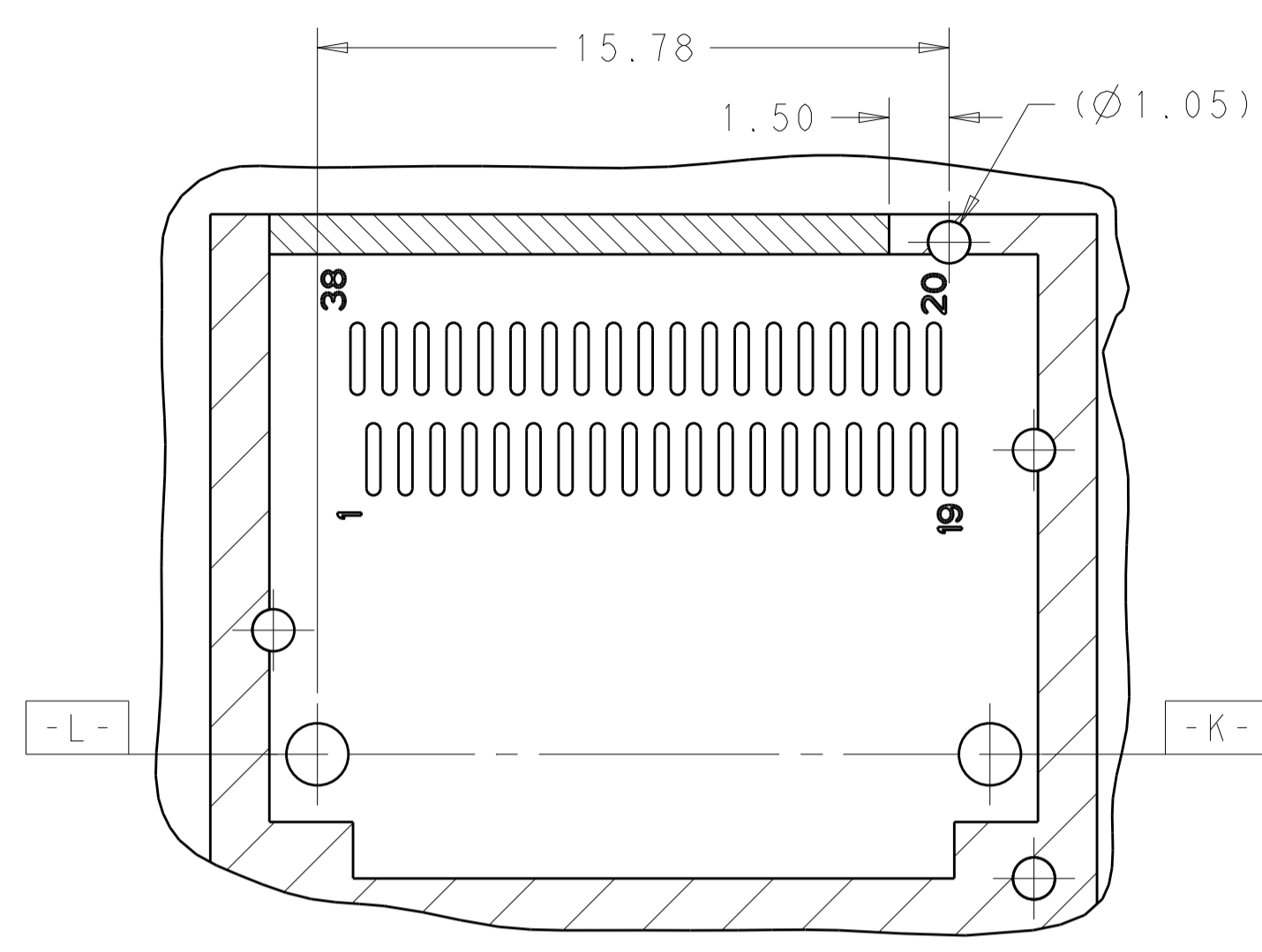
LOC	DIST	REV	DATE	BY	APPV
		1			

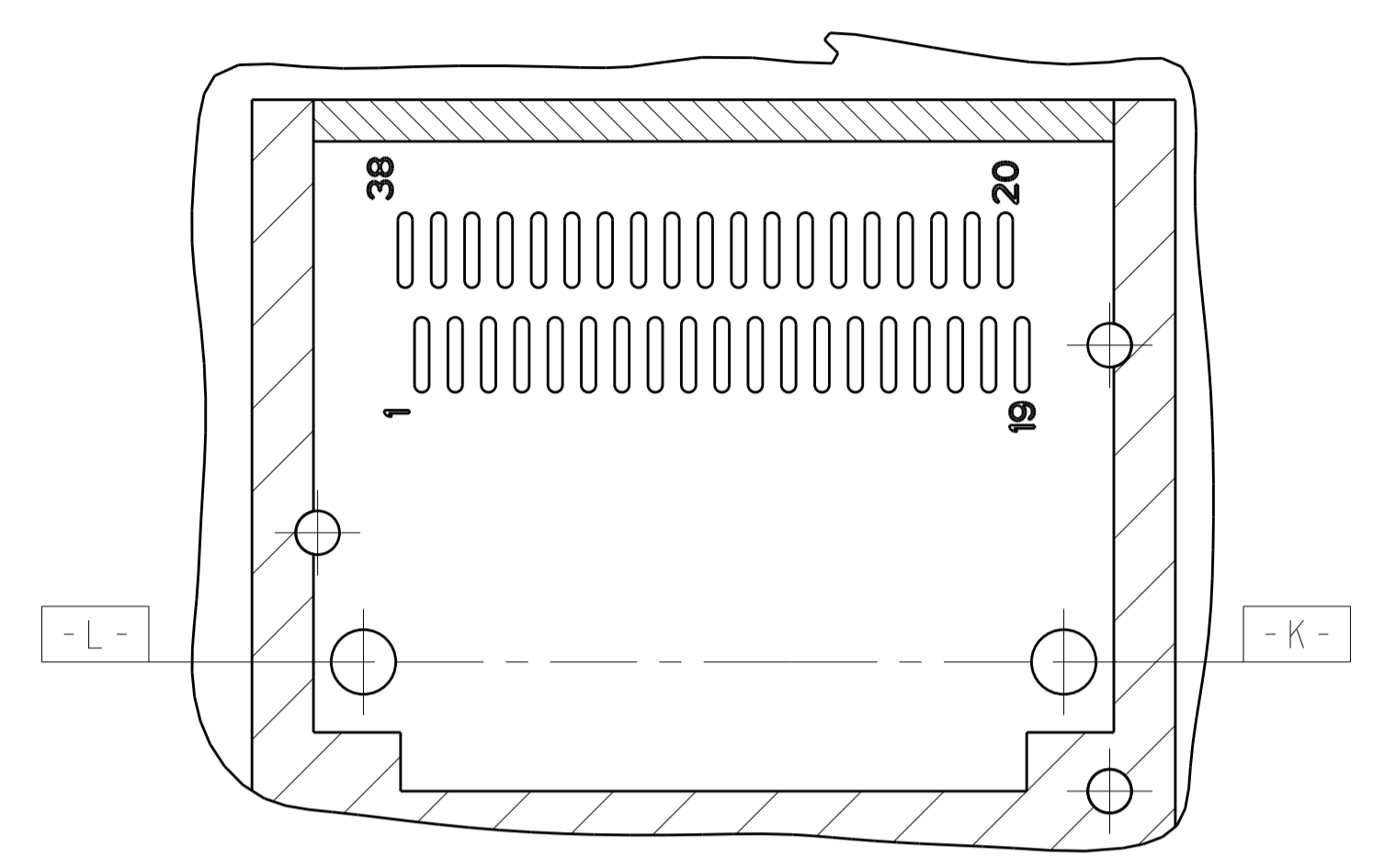
REV	DESCRIPTION	DATE	BY	APPV
1	SEE SHEET 1			



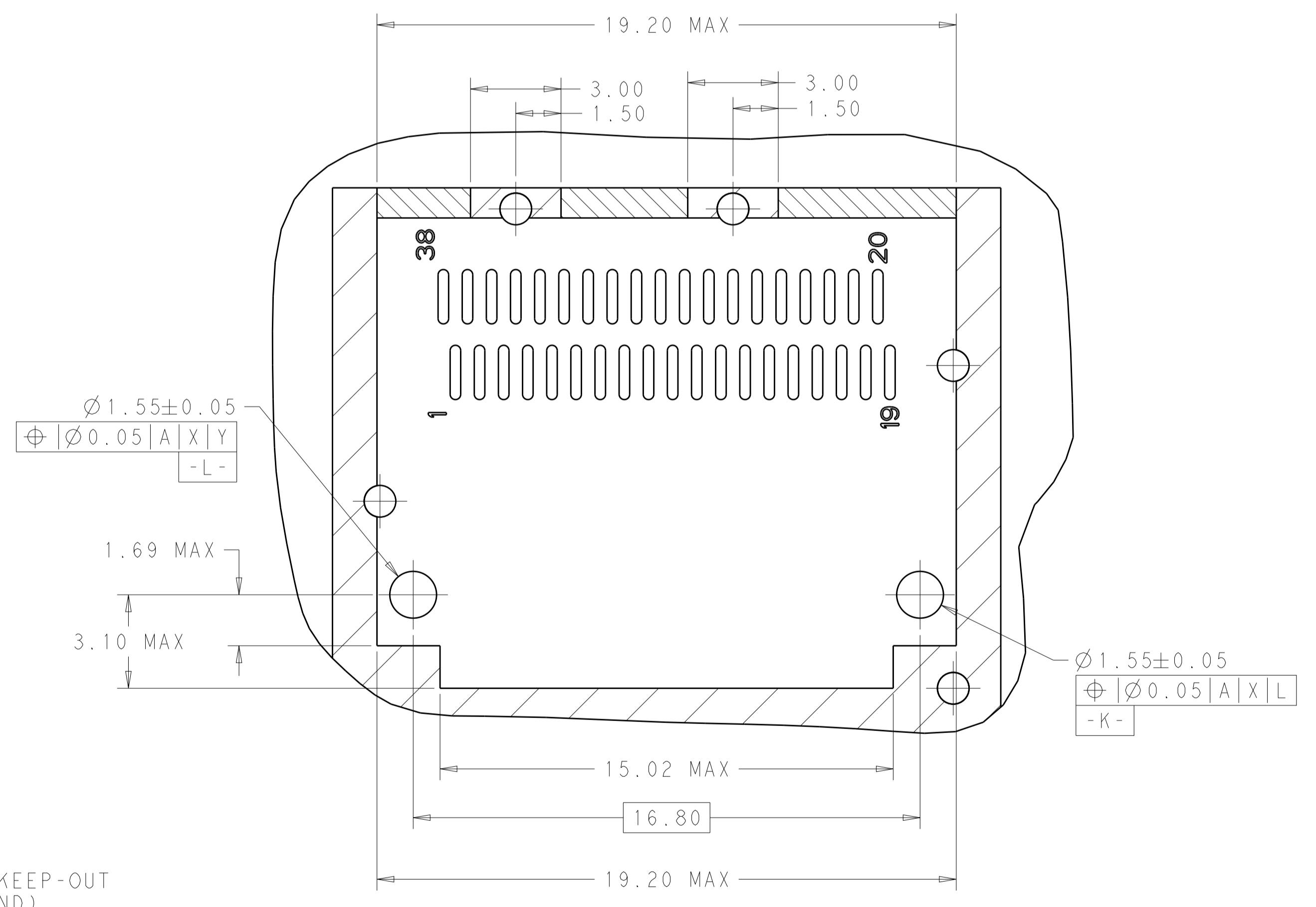
RECOMMENDED PCB LAYOUT  
 SINGLE TYPE OF 2 REAR HOLES OF LEGS  
 PCB TOLERANCE: ±0.05  
 SCALE 6:1



RECOMMENDED PCB LAYOUT  
 SINGLE TYPE OF 1 REAR HOLES OF LEGS  
 PCB TOLERANCE: ±0.05  
 SCALE 6:1



RECOMMENDED PCB LAYOUT  
 SINGLE TYPE OF 0 REAR HOLES OF LEGS  
 PCB TOLERANCE: ±0.05  
 SCALE 6:1



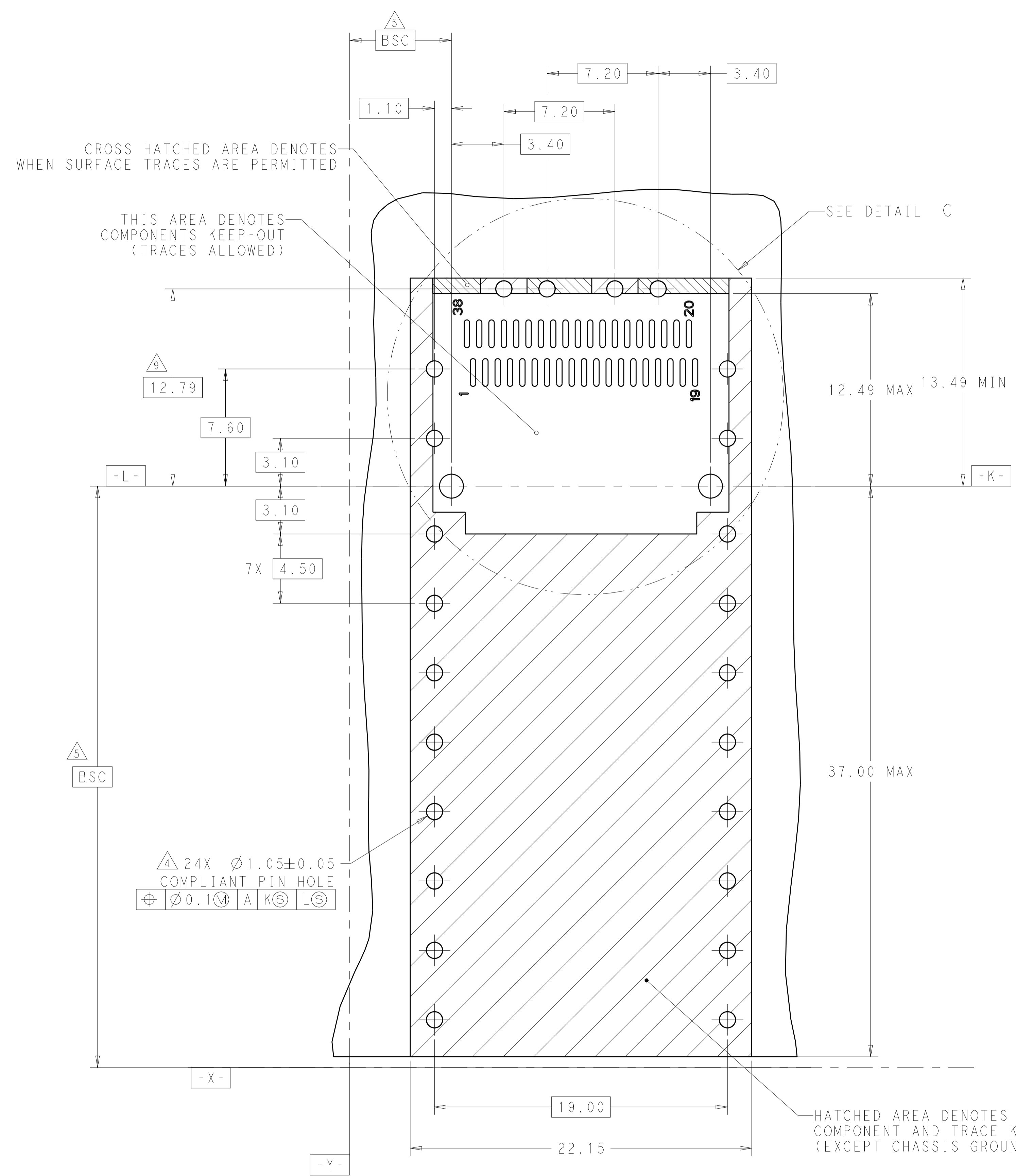
DETAIL B  
 SCALE 8:1

HATCHED AREA DENOTES COMPONENT AND TRACE KEEP-OUT (EXCEPT CHASSIS GROUND)

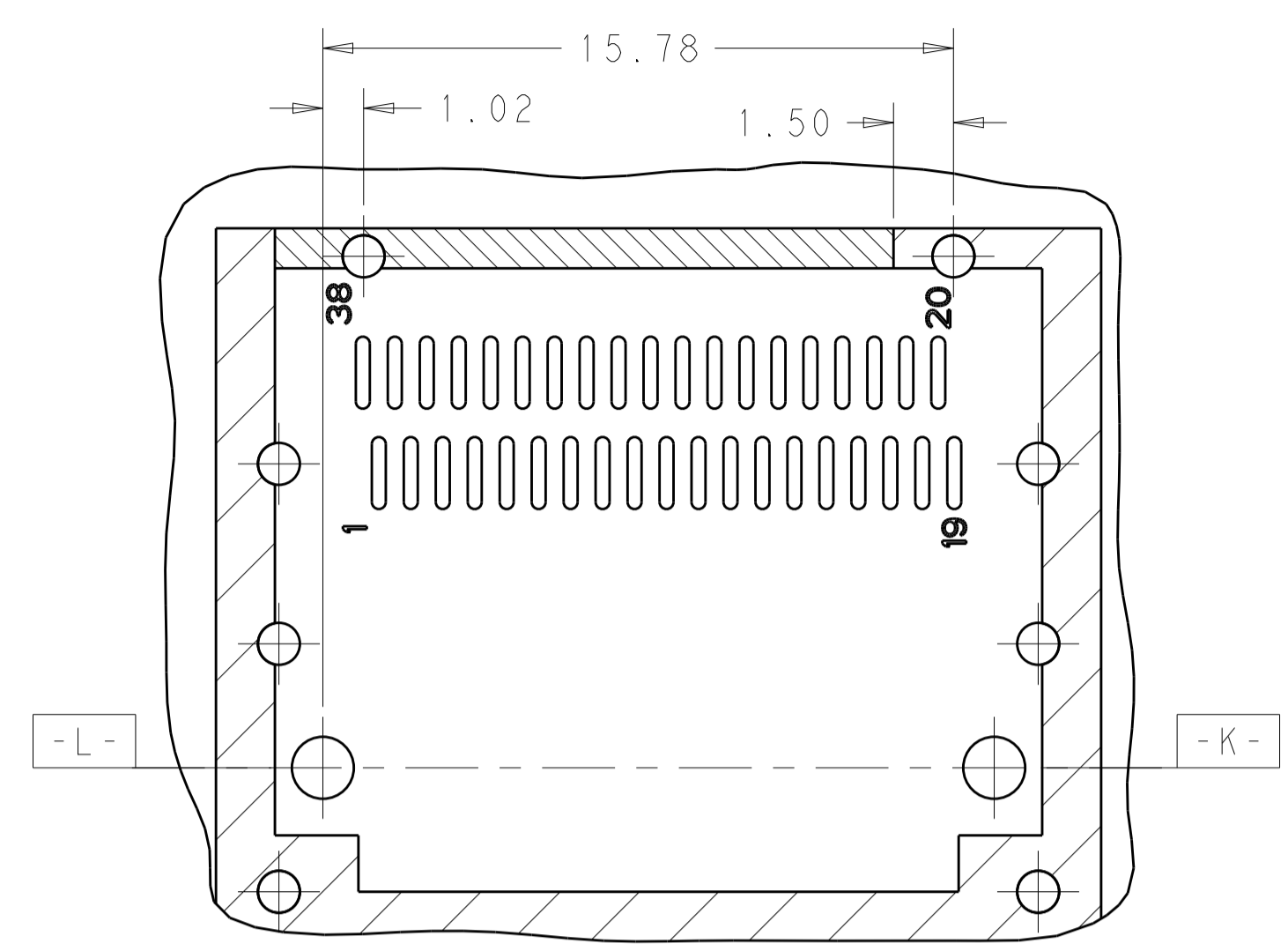
THIS DRAWING IS A CONTROLLED DOCUMENT.		DWN: JASON YANG 01APR2014	 TE Connectivity
TOLERANCES UNLESS OTHERWISE SPECIFIED:		CHK: SEAN HAN 30DEC2015	
DIMENSIONS:	mm	APVD:	NAME:
0 PLC	±0.25	PRODUCT SPEC	CAGE ASSEMBLY, QSFP28 1X1, THRU BEZEL WITH EMI GASKET
1 PLC	±0.25	APPLICATION SPEC	
2 PLC	±0.20	SIZE	CAGE CODE DRAWING NO
3 PLC	±0.100	WEIGHT	A100779C=2170752
4 PLC	±	Customer Drawing	RESTRICTED TO
ANGLES	±	SCALE	4:1
FINISH		SHEET	4 OF 5
		REV	A



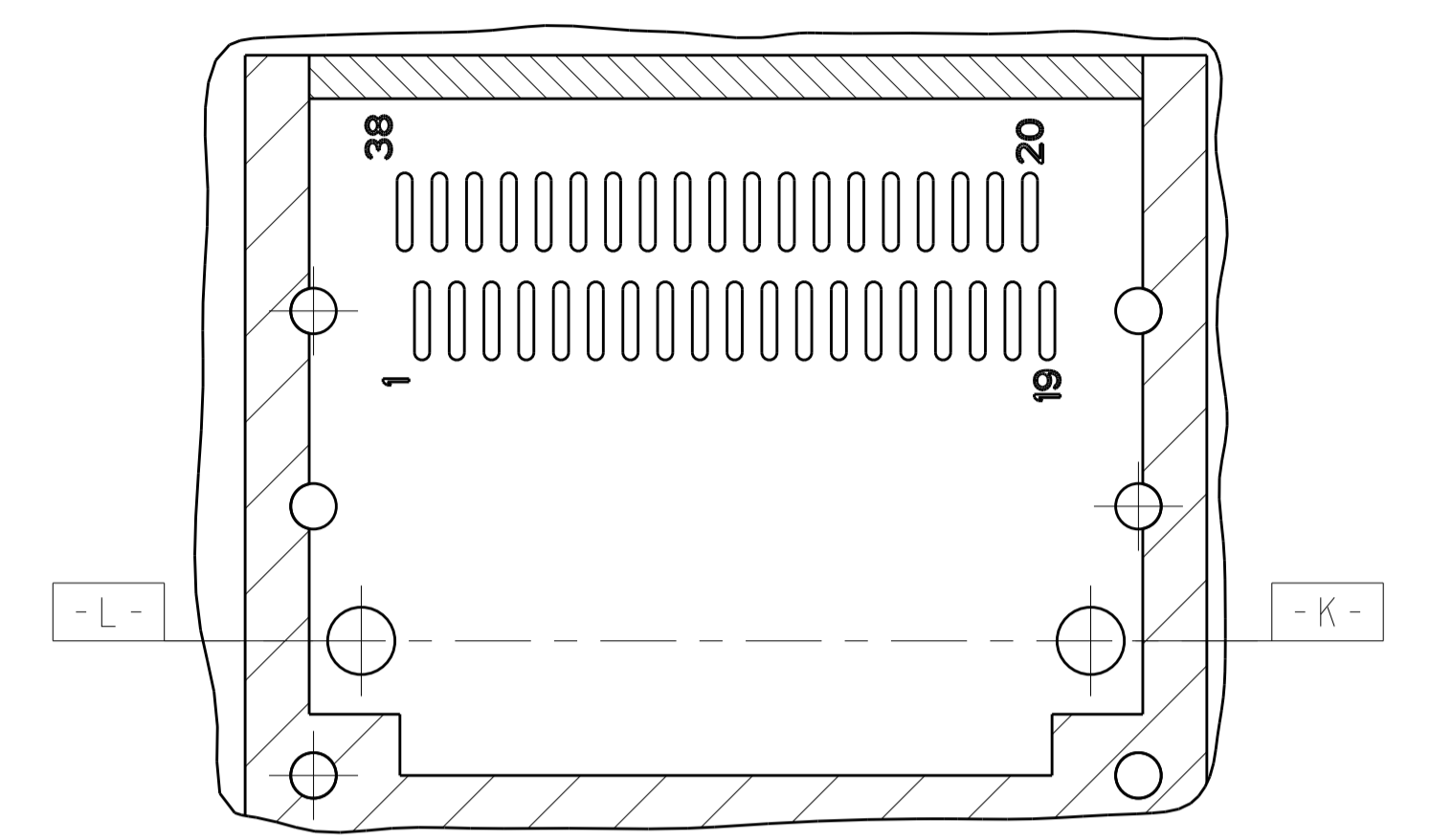
LOC		DIST		REVISIONS			
P	LTN	DESCRIPTION	DATE	DMN	APVD		
-	-	SEE SHEET 1	-	-	-	-	-



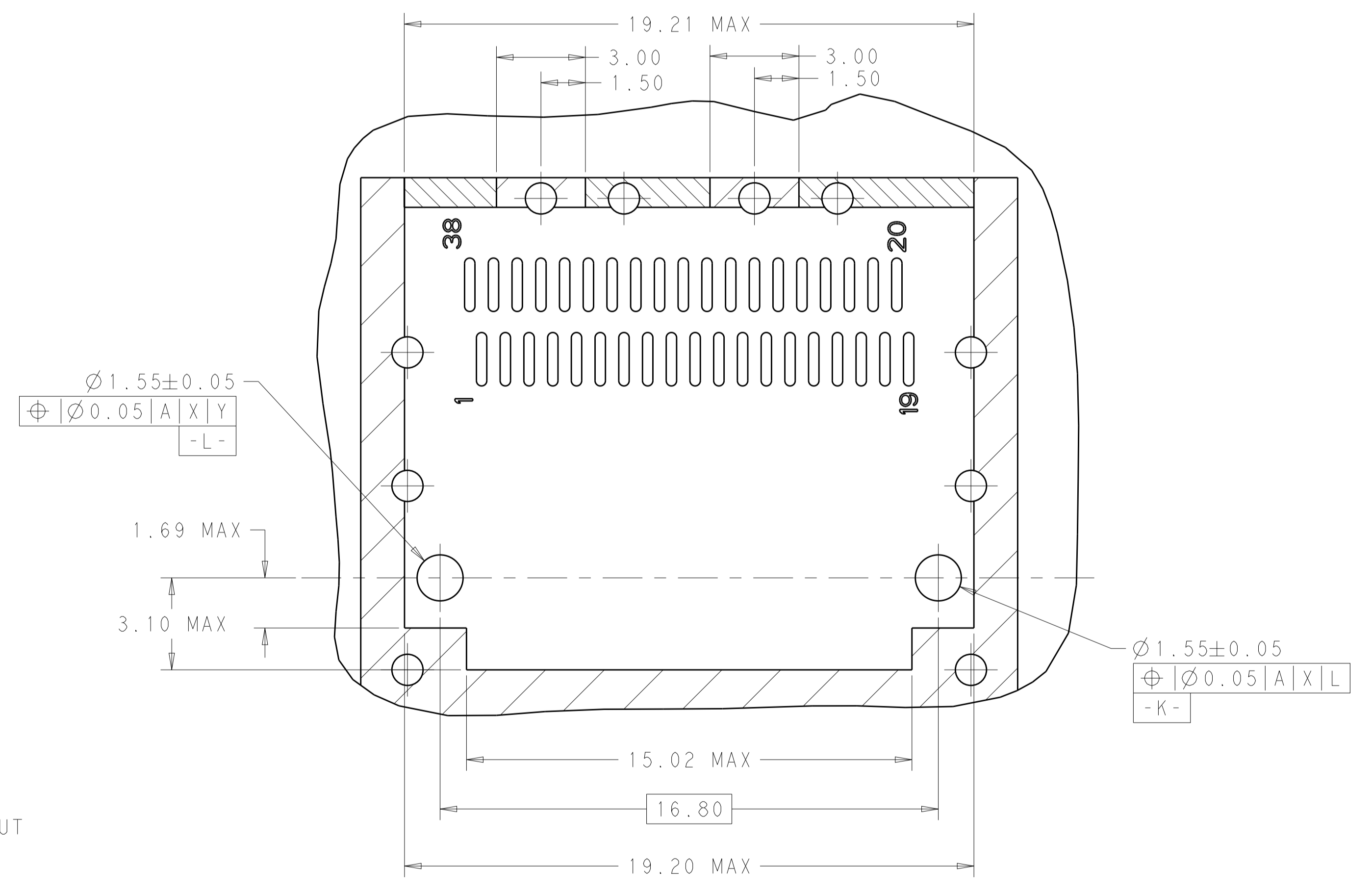
RECOMMENDED PCB LAYOUT  
BELLY TO BELLY TYPE OF 2 REAR HOLES OF LEGS  
PCB TOLERANCE: ±0.05  
SCALE 6:1



RECOMMENDED PCB LAYOUT  
BELLY TO BELLY TYPE OF 1 REAR HOLES OF LEGS  
PCB TOLERANCE: ±0.05  
SCALE 6:1



RECOMMENDED PCB LAYOUT  
BELLY TO BELLY TYPE OF 0 REAR HOLES OF LEGS  
PCB TOLERANCE: ±0.05  
SCALE 6:1



DETAIL C  
SCALE 8:1

THIS DRAWING IS A CONTROLLED DOCUMENT.		DMN: JASON YANG 01APR2014	TE Connectivity
DIMENSIONS: mm		CHK: SEAN HAN 30DEC2015	
TOLERANCES UNLESS OTHERWISE SPECIFIED:		APVD: -	NAME: CAGE ASSEMBLY, QSFP28 1X1, THRU BEZEL WITH EMI GASKET
0 PLC ±0.25	1 PLC ±0.25	PRODUCT SPEC: 108-19428	SIZE: A
2 PLC ±0.20	3 PLC ±0.100	APPLICATION SPEC: 114-32023	CAGE CODE: 2170752
4 PLC ±	ANGLES ±	WEIGHT: -	RESTRICTED TO: -
MATERIAL: -	FINISH: -	Customer Drawing	SCALE: 4:1 SHEET: 5 OF 5 REV: A

单击下面可查看定价，库存，交付和生命周期等信息

[>>TE Connectivity\(泰科\)](#)