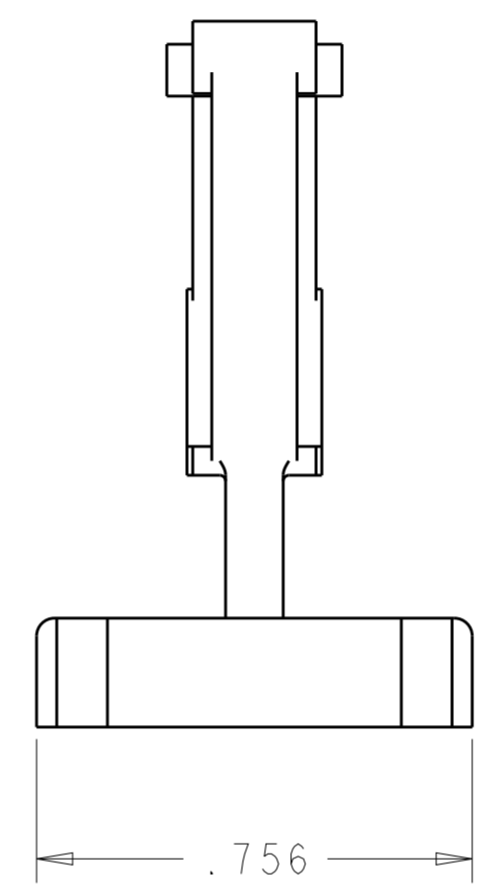
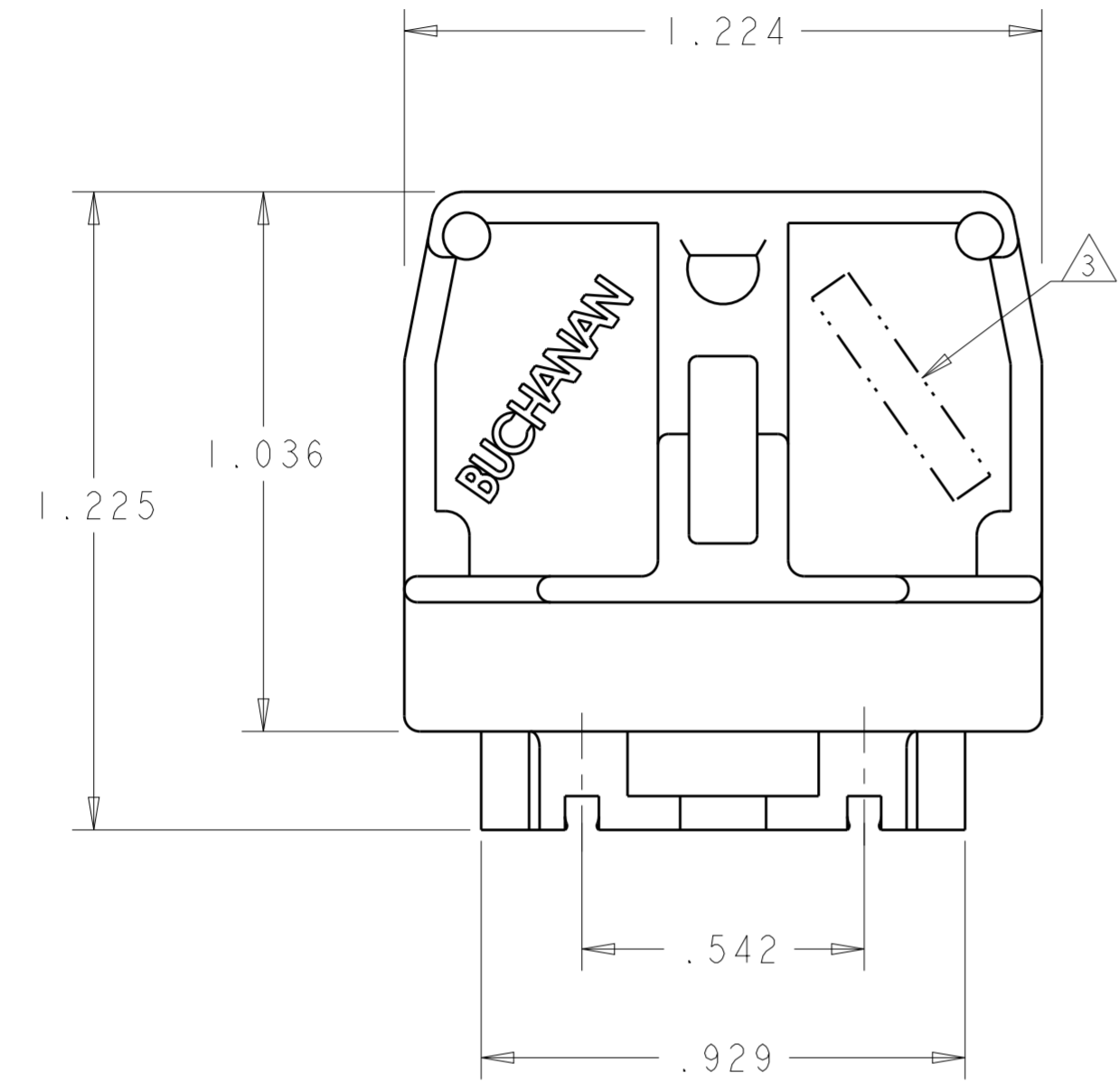
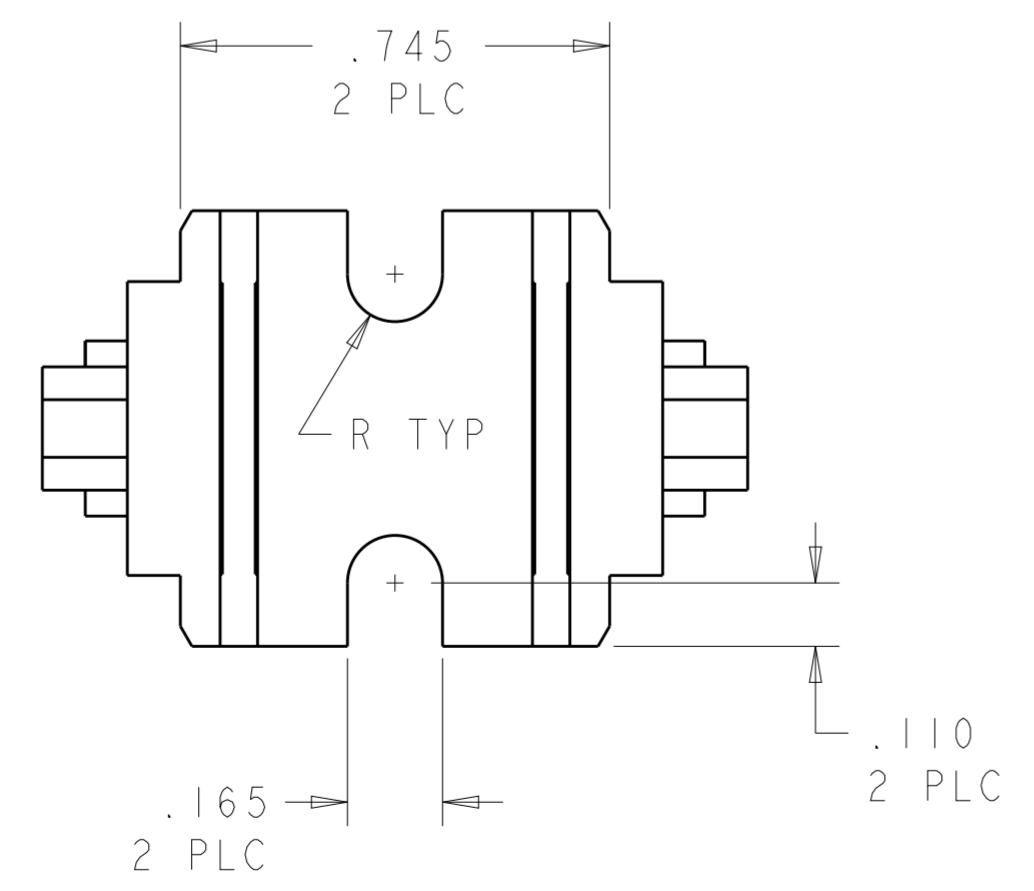


THIS DRAWING IS UNPUBLISHED. RELEASED FOR PUBLICATION 20
 © COPYRIGHT 20 BY - ALL RIGHTS RESERVED.

LOC		DIST		REVISIONS			
P	LTR	DESCRIPTION	DATE	DWN	APVD		
FT	0	E	REVISD PER ECO-13-000447	11JAN2013	KH	MB	



- ① POLYESTER, UL 94V-0 RATED, COLOR: GRAY.
- ② SEE RESTRICTED CUSTOMER DRAWING 3-1437394-9.
- ③ TYCO ELECTRONICS LOGO LOCATED APPROXIMATELY AS SHOWN



3-1437394-9	②
1546163-1	
PART NUMBER	

THIS DRAWING IS A CONTROLLED DOCUMENT.		DWN	S. WELDON	13JUN2002	TE Connectivity	
DIMENSIONS: INCHES		CHK	S. YODER	13JUN2002		
TOLERANCES UNLESS OTHERWISE SPECIFIED:		APVD	S. YODER	13JUN2002		
0 PLC ± 1 PLC ± 2 PLC ± 3 PLC ±.010 4 PLC ± ANGLES ± FINISH		NAME TERMINAL BLOCK, END SECTION MEDIUM DUTY, FLAT BASE				
MATERIAL		PRODUCT SPEC		SIZE		RESTRICTED TO
③		APPLICATION SPEC		CAGE CODE		
		WEIGHT		DRAWING NO		
		CUSTOMER DRAWING		A200779		
				G-1546163		
				SCALE 3:1		
				SHEET 1 OF 1		
				REV E		

单击下面可查看定价，库存，交付和生命周期等信息

[>>TE Connectivity\(泰科\)](#)