

4

3

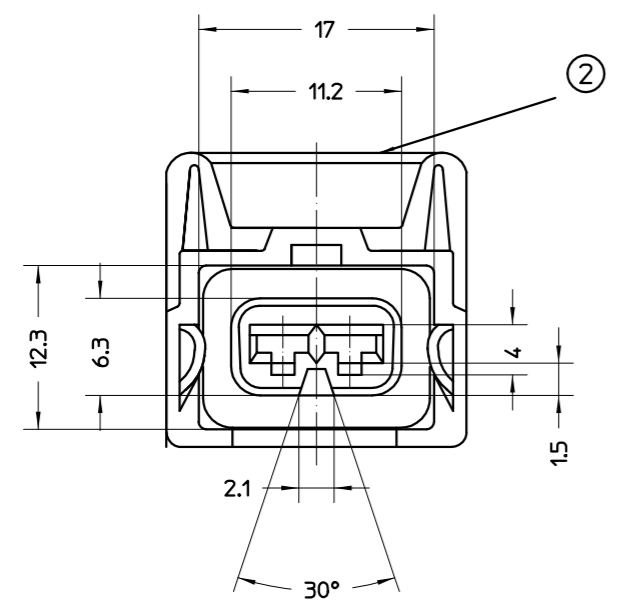
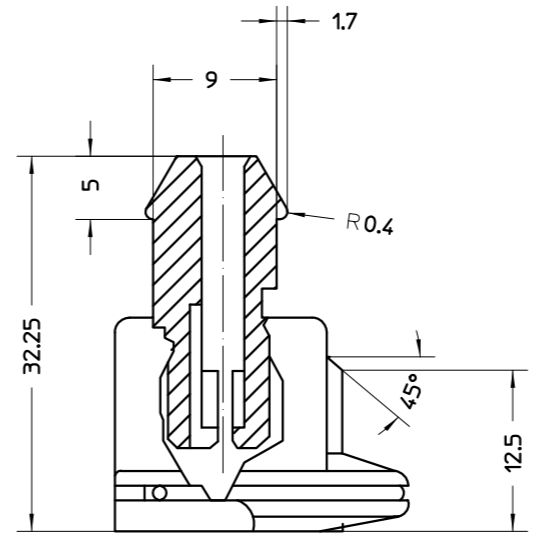
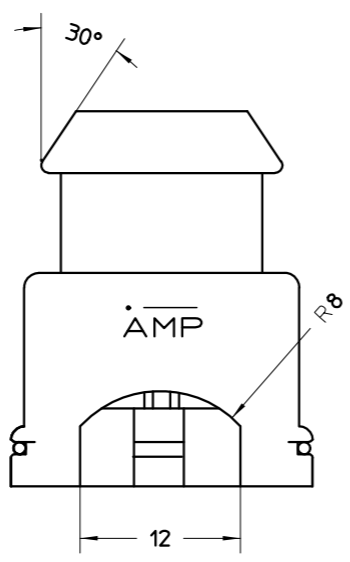
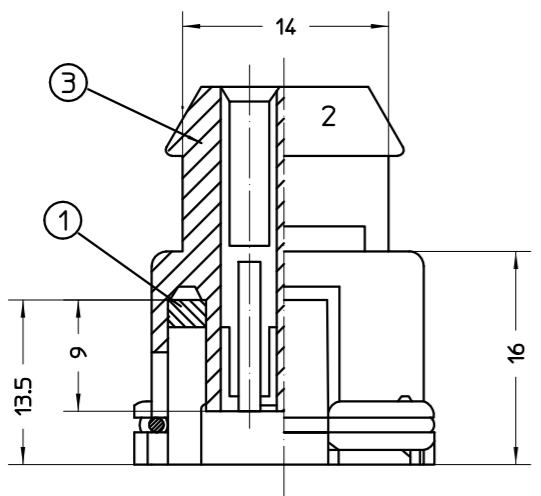
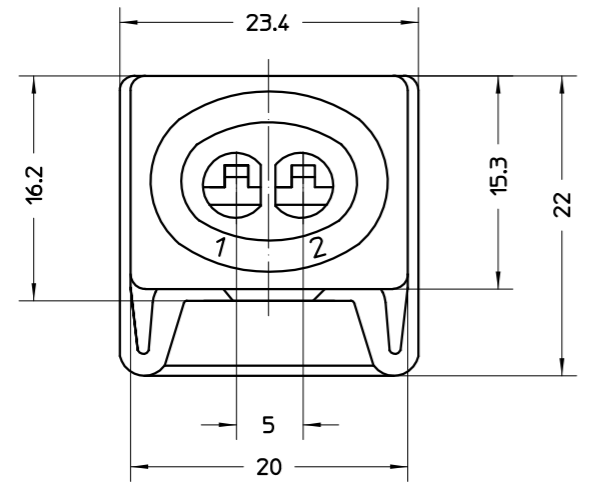
2

1

THIS DRAWING IS UNPUBLISHED. RELEASED FOR PUBLICATION
COPYRIGHT BY TYCO ELECTRONICS CORPORATION. ALL RIGHTS RESERVED.

LOC U
DIST -

| REVISIONS | | | | | |
|-----------|-----|------------------------------------|----------|-----|------|
| P | LTR | DESCRIPTION | DATE | DWN | APVD |
| G | | ECR-08-003313 RE-DRAWN | 04-02-08 | HT | WR |
| H | | ECR-09-003982 P/N 1-190667-7 ADDED | 19-02-09 | WR | WR |



| QTY | QTY | QTY | QTY | PART No. | COLOUR | MATERIAL | DESCRIPTION | ITEM No. |
|-----|-----|-----|-----|------------|---------|------------------|-------------------|----------|
| | 1 | | | 1-190662-5 | BLUE | NYLON 66 30GL | 2 POS. HOUSING | 3 |
| | | 1 | | 1-190662-4 | BROWN | | | |
| 1 | | | 1 | 1-190662-3 | BLACK | | | |
| 1 | 1 | 1 | 1 | 827547-1 | NATURAL | WIRE DIN2076 | SPRING | 2 |
| 1 | | | | 825383-4 | GREY | NEOPRENE | GASKET | 1 |
| | 1 | 1 | 1 | 825383-1 | BLACK | | | |

THIS INFORMATION IS CONFIDENTIAL AND PROPRIETARY TO TYCO ELECTRONICS CORPORATION AND ITS WORLDWIDE SUBSIDIARIES AND AFFILIATES. IT MAY NOT BE DISCLOSED TO ANYONE OTHER THAN TYCO ELECTRONICS PERSONNEL WITHOUT WRITTEN PERMISSION FROM TYCO ELECTRONICS CORPORATION, HARRISBURG, PENNSYLVANIA, USA.

THIS DRAWING IS A CONTROLLED DOCUMENT.

ALL DIMENSIONS IN mm: TOLERANCES UNLESS OTHERWISE SPECIFIED: DIMENSION (mm) TOLERANCE(+mm) ±0.3

ANGLES ±2°

MATERIAL: - FINISH: -

HT 23JAN08
MI 24JAN08
WR 24JAN08

PRODUCT SPEC: -
APPLICATION SPEC: -
WEIGHT: -

tyco Tyco Electronics Corporation AUSTRALIA
Electronics

NAME: 2 POS. JUNIOR TIMER CONNECTOR

SIZE: A3 CAGE CODE: DRAWING NO: © 190667 RESTRICTED TO

CUSTOMER DRAWING SCALE: NTS SHEET 1 OF 1 REV: H

单击下面可查看定价，库存，交付和生命周期等信息

[>>TE Connectivity\(泰科\)](#)