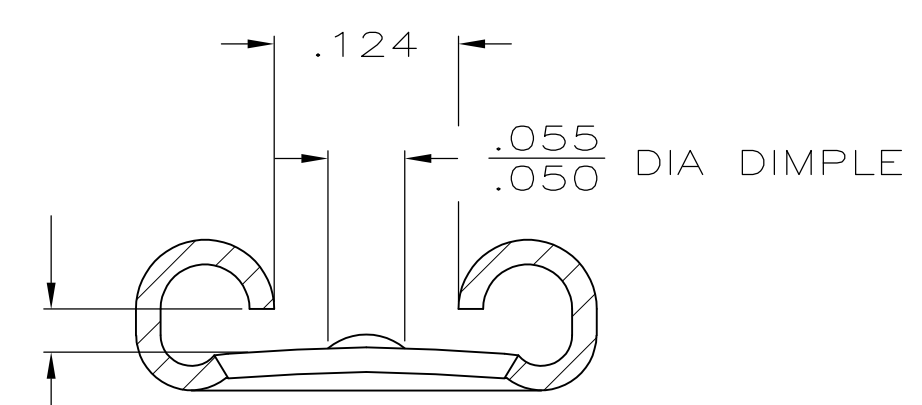
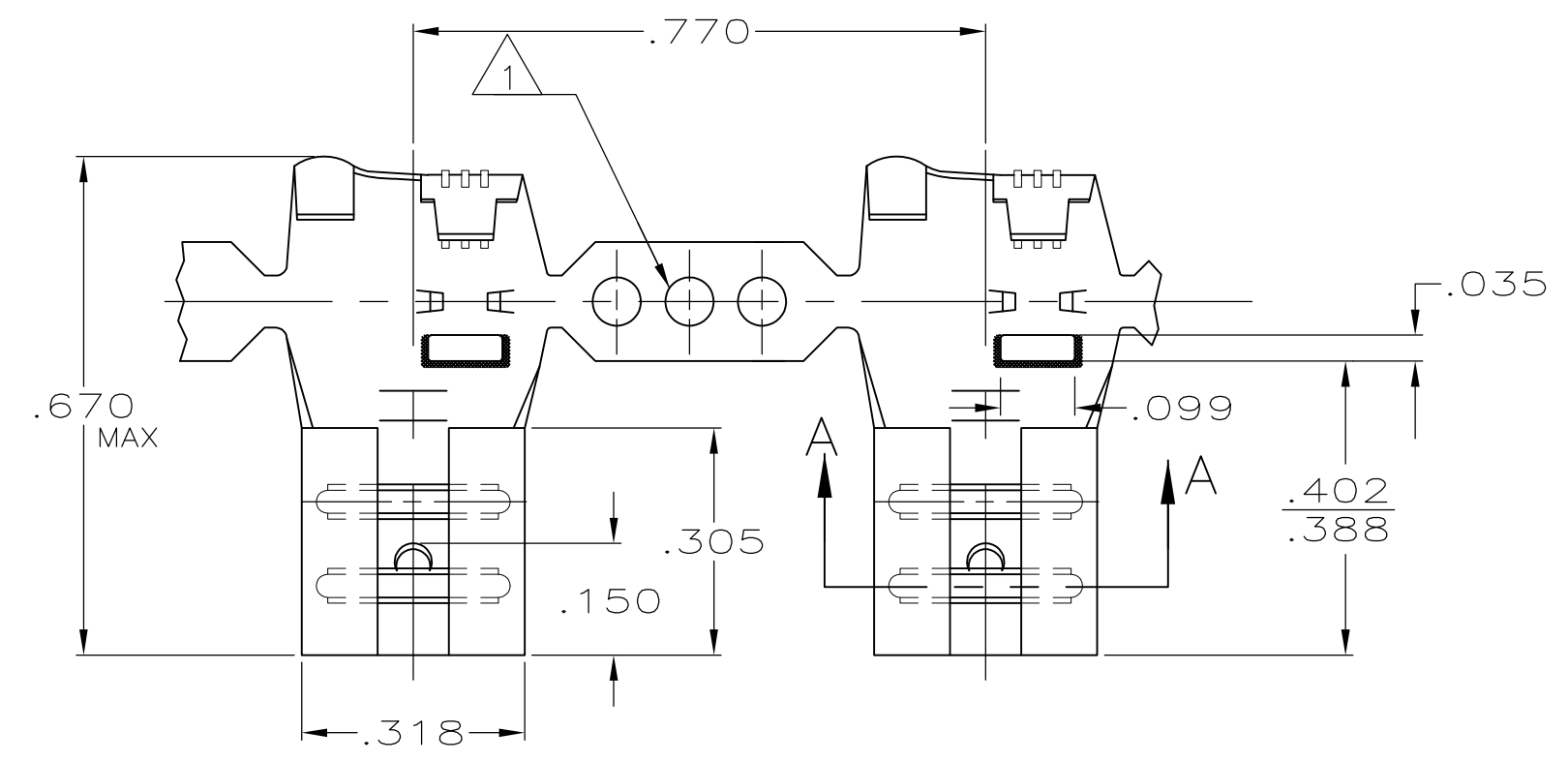


THIS DRAWING IS UNPUBLISHED. RELEASED FOR PUBLICATION
 © COPYRIGHT - By - ALL RIGHTS RESERVED.

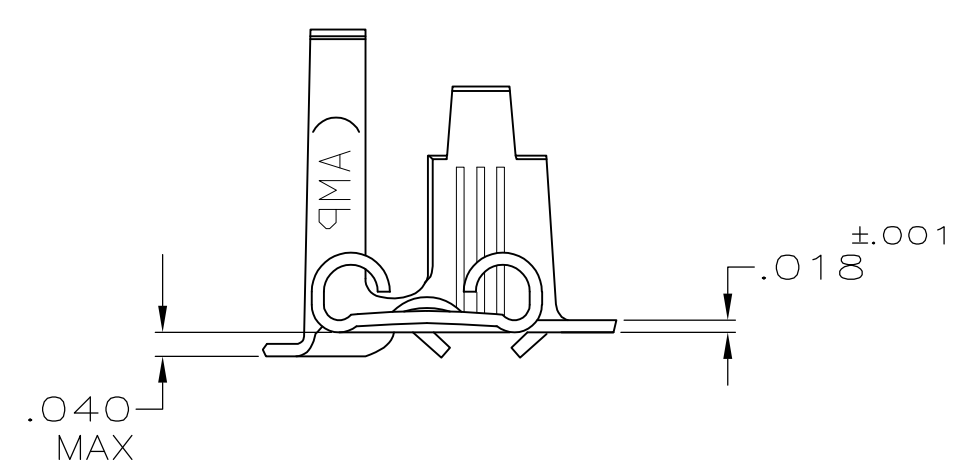
LOC	DIST	REVISIONS			
P	LTR	DESCRIPTION	DATE	DWN	APVD
AF	50	V	REVISED PER ECR-12-013445	18OCT12	KH PD

△ 1 SINGLE OR DOUBLE PILOT HOLE OPTIONAL



FITS .250 SERIES FASTON TAB

SECTION A-A
SCALE 8:1



.110-.210	18-12	.032	41801
INSULATION RANGE	WIRE SIZE	MATING TAB THK ±.001	PART NO.

THIS DRAWING IS A CONTROLLED DOCUMENT.		DWN JR RUTH 7/12/89	TE Connectivity RECEPTACLE, FASTON, FLAG, .250 SERIES			
DIMENSIONS: INCHES		CHK MS FEHER 7/12/89				
TOLERANCES UNLESS OTHERWISE SPECIFIED:		APVD C MEYERS 7/12/89				
0 PLC ± - 1 PLC ± - 2 PLC ± - 3 PLC ± .015 4 PLC ± - ANGLES ± -		NAME				
MATERIAL BRASS		FINISH -	PRODUCT SPEC -	APPLICATION SPEC -		
		WEIGHT -	SIZE A3	CAGE CODE 00779	DRAWING NO C-41801	RESTRICTED TO -
CUSTOMER DRAWING			SCALE 4:1	SHEET 1 OF 1	REV V	

单击下面可查看定价，库存，交付和生命周期等信息

[>>TE Connectivity\(泰科\)](#)