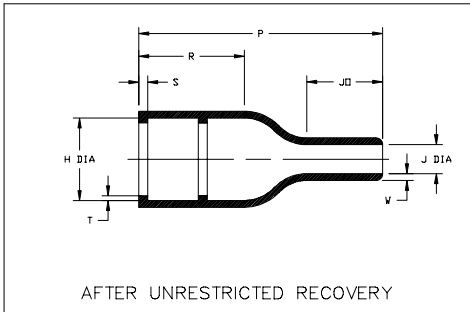
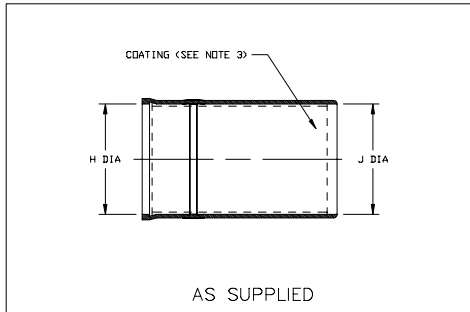


Thermofit<sup>®</sup> Molded Parts  
 Specification Control Drawing  
 Limited Distribution

Part Number : 202D1XX-X-01  
 Description : Boot, Straight With Lips

NOTES

- All dimensions are in  $\frac{\text{inches}}{\text{millimeters}}$
- Dimensions appearing in table are as follows:  
 a - As Supplied  
 b - After Unrestricted Recovery
- Coating is optional. As supplied dimensions appearing in table are for uncoated parts. When coating is added, entry diameters will be reduced by .06 max.



PART NUMBER	H		J		P ±10%	R Ref	S Ref	T Ref	JO ±10%	W ±20%
	Min	Max	Min	Max						
	a	b	a	b						
202D121-X-01	1.11 [28,2]	.41 [10,5]	1.11 [28,2]	.22 [5,6]	1.50 [38,1]	.83 [21,1]	.12 [3,0]	.04 [1,0]	.40 [10,2]	.07 [1,78]

**If this document is printed it becomes uncontrolled.  
 Check for the latest revision.**



RAYCHEM CORPORATION  
 300 CONSTITUTION DRIVE  
 MENLO PARK, CALIFORNIA 94025

Revision : A  
 Date : 7/16/97

Part Number : 202D1XX-X-01  
 Description : Boot, Straight With Lips

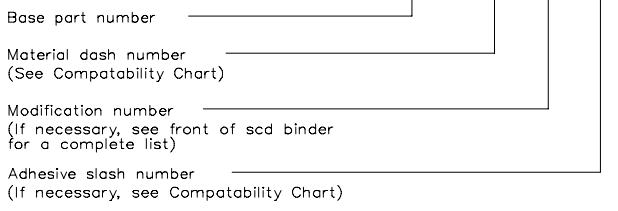
Thermofit<sup>®</sup> Molded Parts  
 Specification Control Drawing  
 Limited Distribution

Part Number : 202D1XX-X-01  
 Description : Boot, Straight With Lips

MATERIAL DASH NO.	MATERIAL DESCRIPTION	RT SPEC	COATING SLASH NO.	COATING S NO.	COATING DESCRIPTION
-3	Polyolefin, Semi-rigid	RT-301	/86	S-1048	Adhesive
-4	Polyolefin, Flexible	RT-1304	/86	S-1048	Adhesive

ORDERING INFORMATION

202D1XX -X -01 /XX



THIS DRAWING IS SUBJECT TO CHANGE WITHOUT NOTICE; CONSULT YOUR  
 NEAREST FIELD REPRESENTATIVE FOR CURRENT REVISION



RAYCHEM CORPORATION  
 300 CONSTITUTION DRIVE  
 MENLO PARK, CALIFORNIA 94025

Revision : A  
 Date : 7/16/97

Part Number : 202D1XX-X-01  
 Description : Boot, Straight With Lips

单击下面可查看定价，库存，交付和生命周期等信息

[>>TE Connectivity\(泰科\)](#)