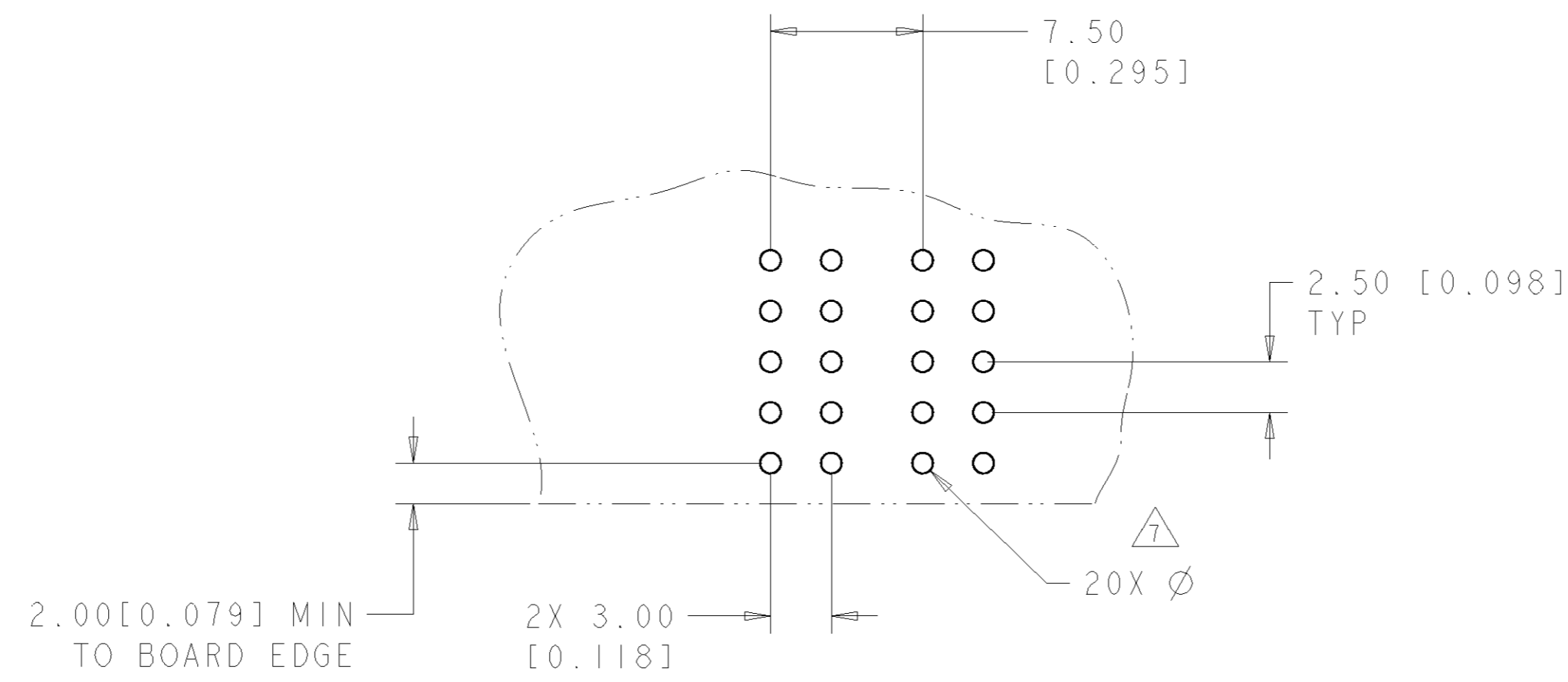


THIS DRAWING IS UNPUBLISHED. RELEASED FOR PUBLICATION 20
 © COPYRIGHT 20 BY TYCO ELECTRONICS CORPORATION. ALL RIGHTS RESERVED.

LOC	DIST	REVISIONS					
GP	00	P	LTR	DESCRIPTION	DATE	DWN	APVD
		-		SEE SHEET 1	-	-	-



PRINTED CIRCUIT LAYOUT
 COMPONENT SIDE

CONNECTOR	CATALOG MODULE #	QTY	SIZE NO.	CONTACT QTY	MATING PIN	MAX. CURRENT (PER CONTACT)	CONTACT SPACING	VOLTAGE RATING
PIN	FP0105	1	8	1	1.25 X 7.00 [.049 X .276]	35 amps	7.50 [0.2953]	250
	FP0106	1	8	1	1.25 X 7.00 [.049 X .276]	35 amps	7.50 [0.2953]	250

THIS DRAWING IS A CONTROLLED DOCUMENT FOR TYCO ELECTRONICS CORPORATION. IT IS SUBJECT TO CHANGE AND THE CONTROLLING ENGINEERING ORGANIZATION SHOULD BE CONTACTED FOR THE LATEST REVISION.

DWN: R. GRZYBOWSKI 08 JUN 06
 CHK: S. FLICKINGER 08 JUN 06
 APVD: S. FLICKINGER 08 JUN 06

tyco Tyco Electronics
 Harrisburg, PA 17105-3608

NAME: RIGHT ANGLE PIN CONNECTOR SOLDER TAILS

SIZE: A2 CAGE CODE: 00779 DRAWING NO: 1926016 RESTRICTED TO: -

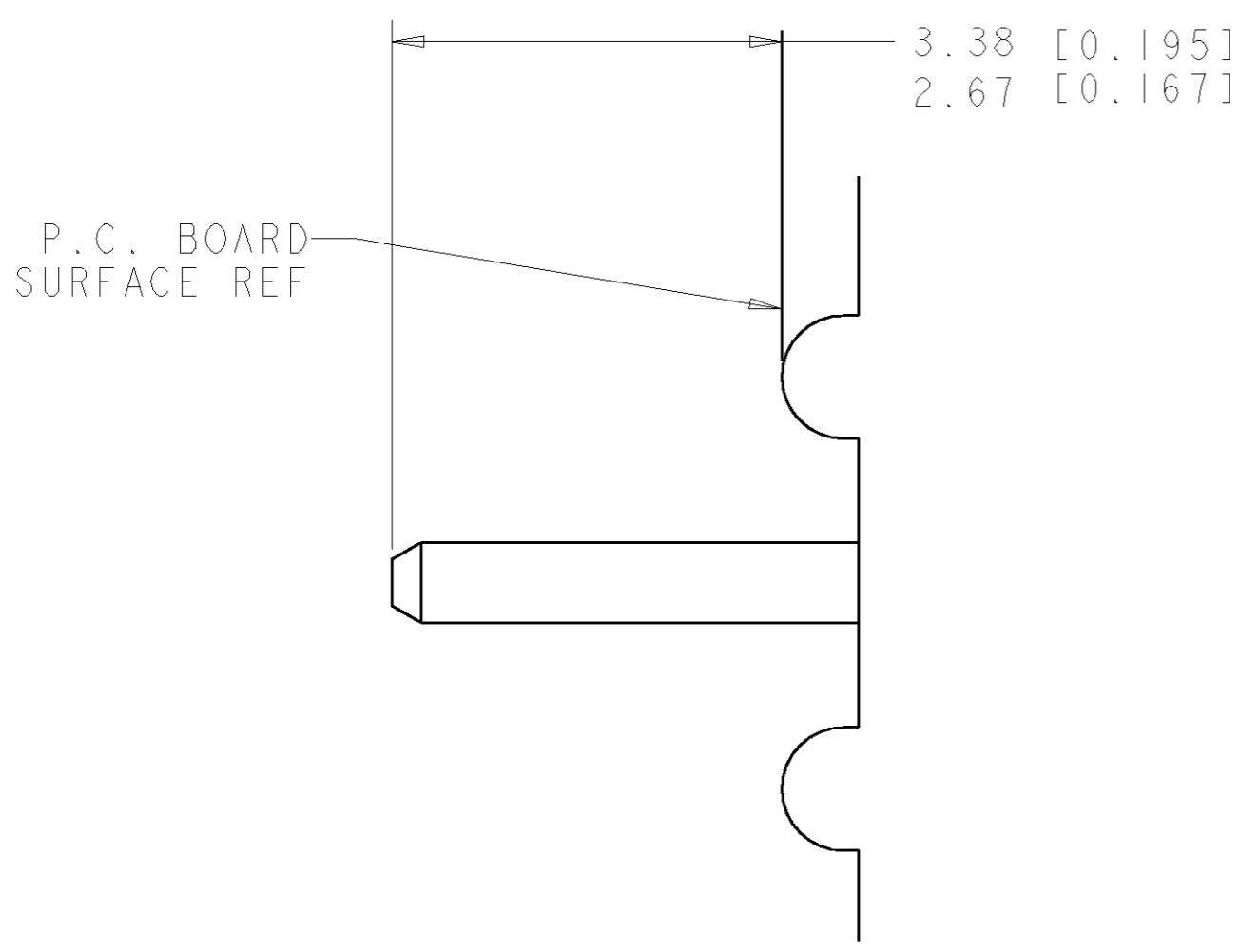
MATERIAL: - FINISH: - WEIGHT: -

CUSTOMER DRAWING SCALE: 3:1 SHEET 2 OF 3 REV B

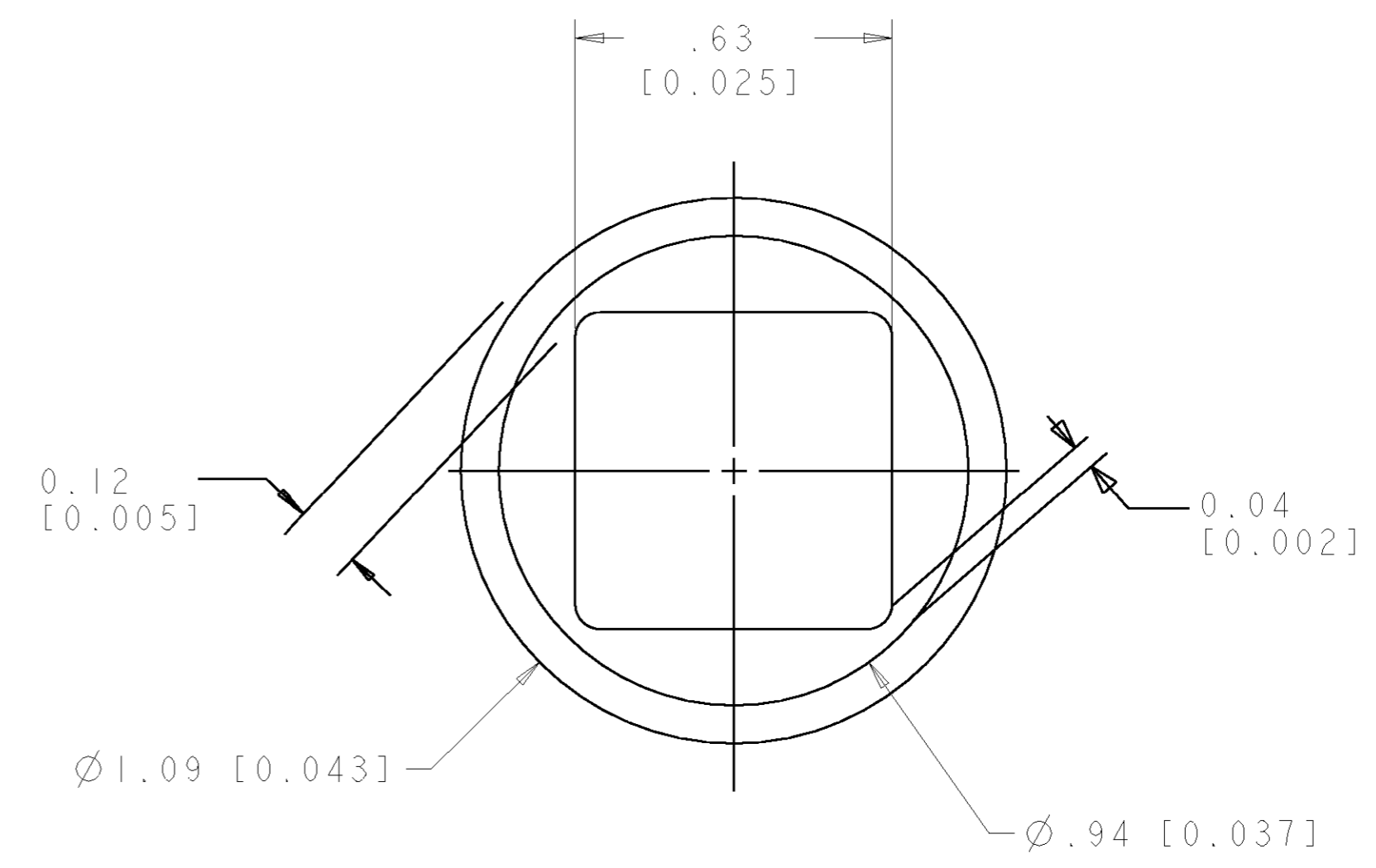
ELCON FLATPAQ

THIS DRAWING IS UNPUBLISHED. RELEASED FOR PUBLICATION 20
 © COPYRIGHT 20 BY TYCO ELECTRONICS CORPORATION. ALL RIGHTS RESERVED.

LOC	DIST	REVISIONS			
P	LTR	DESCRIPTION	DATE	DWN	APVD
GP	00	-	SEE SHEET 1	-	-



6. SOLDER TAIL DETAIL
SCALE 10 : 1



7. SOLDER TERMINATION AREA
SCALE 40:1
 RECOMMENDED PRINTED CIRCUIT SOLDER HOLE
 FINISHED HOLE: Ø 1.02 [.040] ±.08 [.003]
 DRILLED HOLE: Ø 1.15 [.0453] ±.013 [.0005]
 COPPER PLATE: .025 [.0010] MIN (PER SURFACE)
 TIN PLATE: .008 [.0003] MIN. (PER SURFACE)

ELCON FLATPAQ

THIS DRAWING IS A CONTROLLED DOCUMENT FOR TYCO ELECTRONICS CORPORATION IT IS SUBJECT TO CHANGE AND THE CONTROLLING ENGINEERING ORGANIZATION SHOULD BE CONTACTED FOR THE LATEST REVISION.		DWN R. GRZYBOWSKI 08 JUN 06	Tyco Electronics Harrisburg, PA 17105-3608	
DIMENSIONS: mm [INCHES]		CHK S. FLICKINGER 08 JUN 06	NAME RIGHT ANGLE PIN CONNECTOR SOLDER TAILS	
TOLERANCES UNLESS OTHERWISE SPECIFIED:		APVD S. FLICKINGER 08 JUN 06	PRODUCT SPEC -	
0 PLC ±- 1 PLC ±.5 [.020] 2 PLC ±.25 [.010] 3 PLC ±- 4 PLC ±-		APPLICATION SPEC -	RESTRICTED TO -	
MATERIAL -		FINISH -	WEIGHT -	SCALE 3:1 SHEET 3 OF 3 REV B
-		CUSTOMER DRAWING	SIZE A200779	DRAWING NO G-1926016

单击下面可查看定价，库存，交付和生命周期等信息

[>>TE Connectivity\(泰科\)](#)