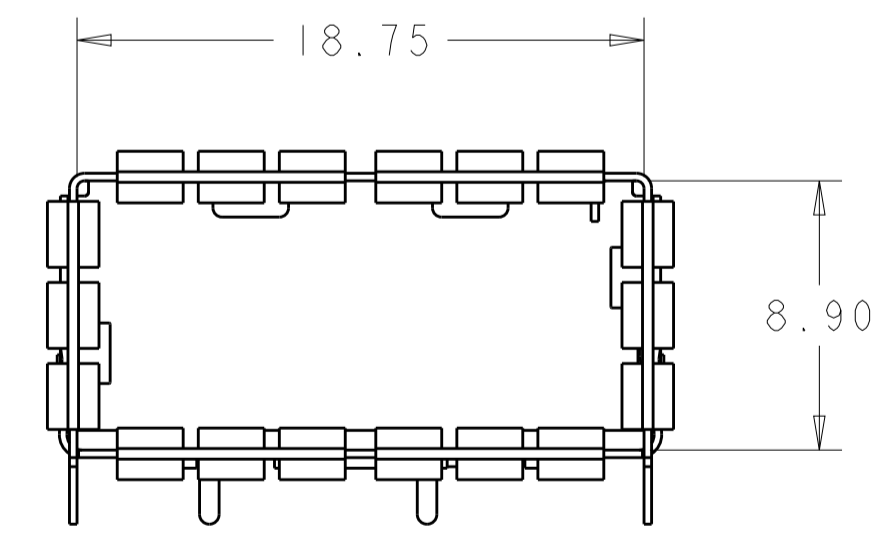
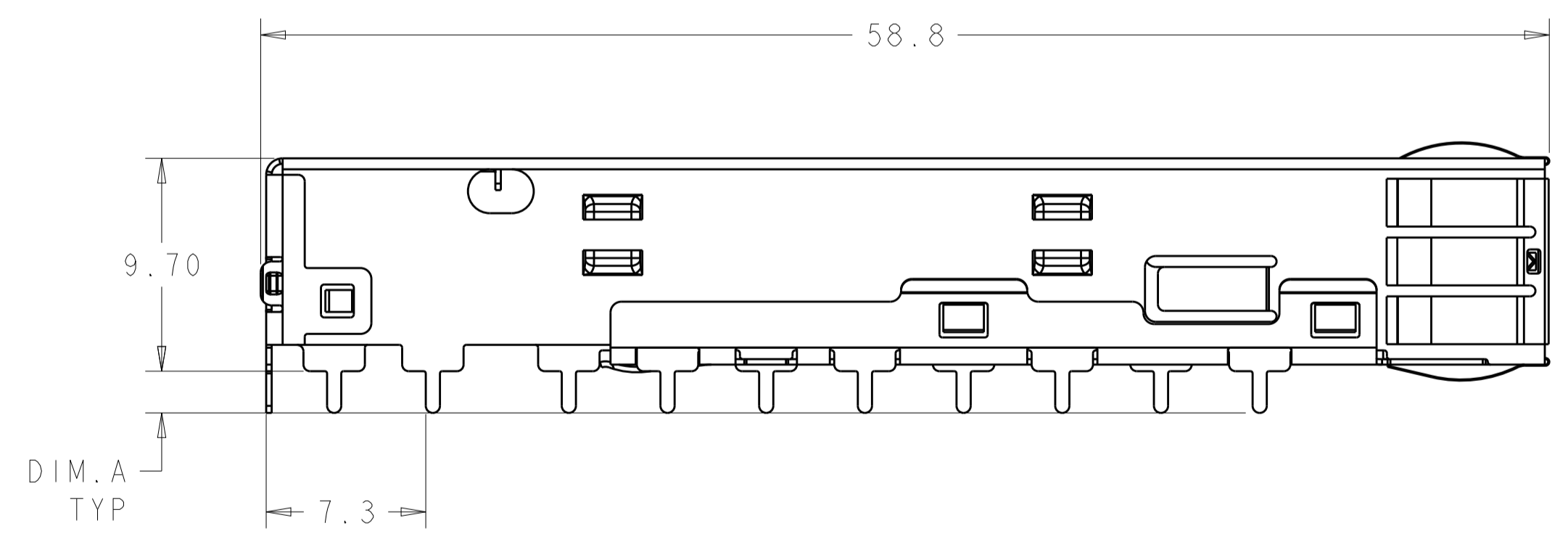
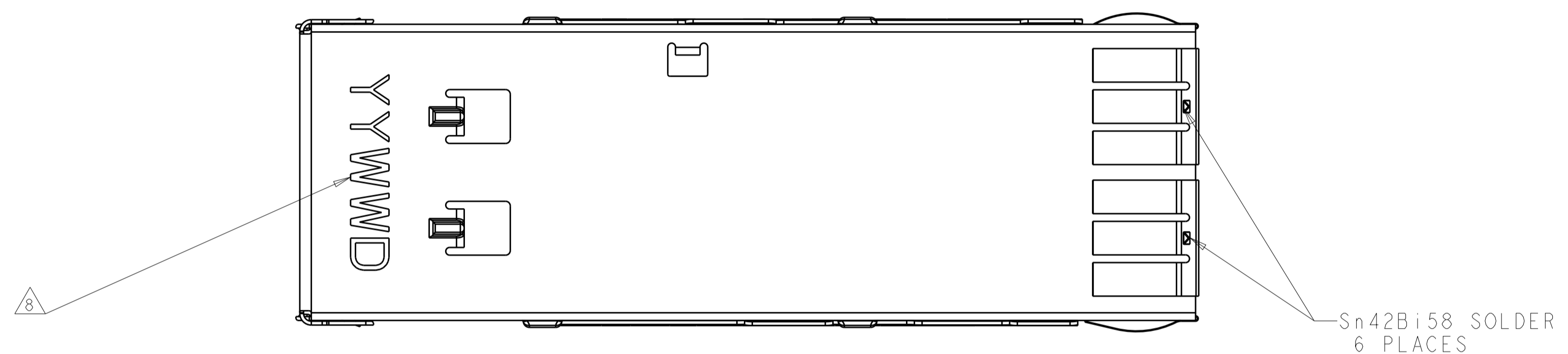
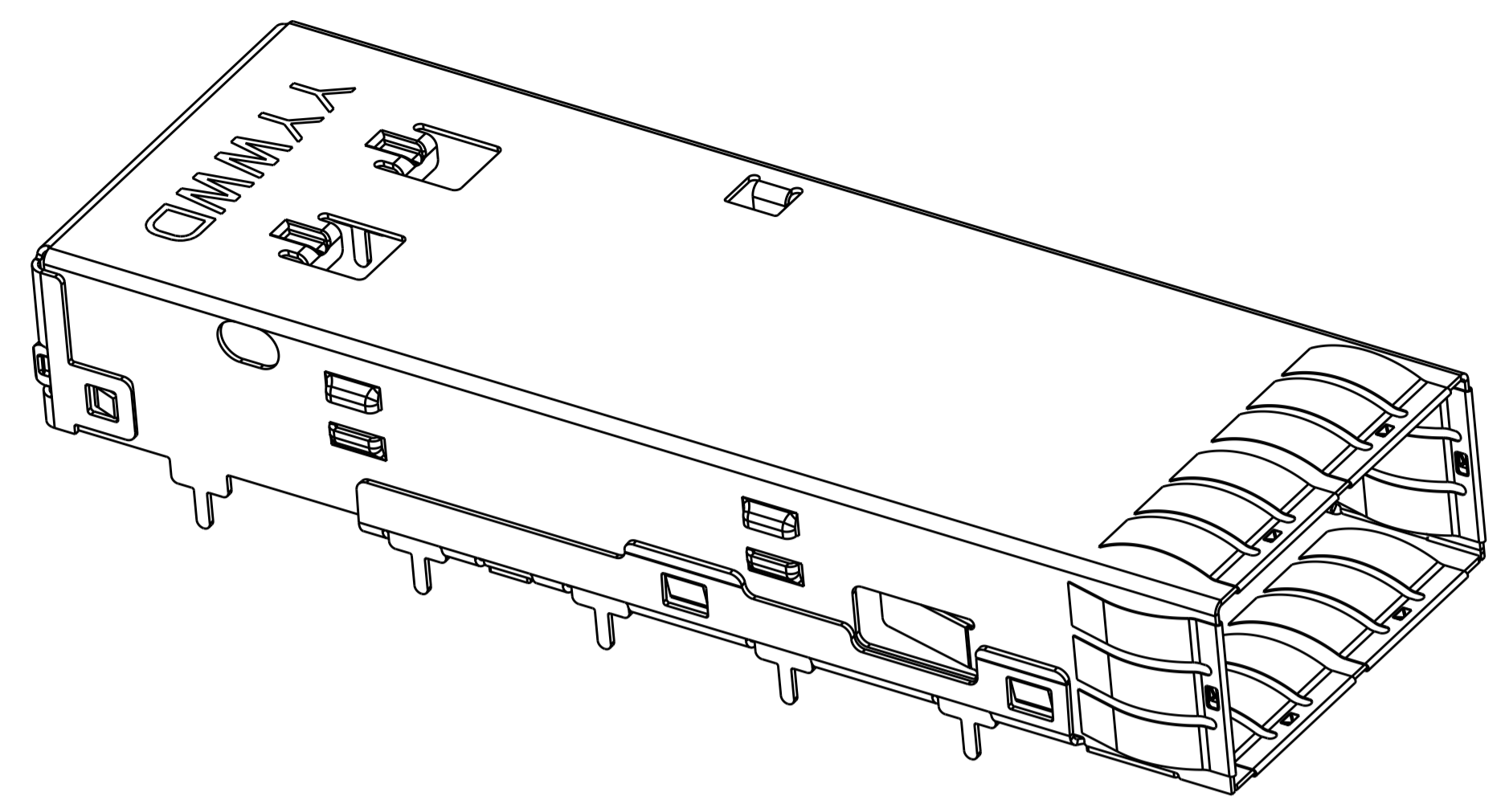


LOC	DIST	REVISIONS					
GP	00	P	LTN	DESCRIPTION	DATE	DMN	APVD
		A		RELEASE PER ECR-15-011430	25AUG2015	RG	SH
		B		REVISED PER ECO-17-009893	7JUL2017	RG	SH
		C		REVISED PER ECO-17-010599	20JUL2017	RG	SH
		D		REVISED PER ECO-18-005129	04APR2018	TX	SH

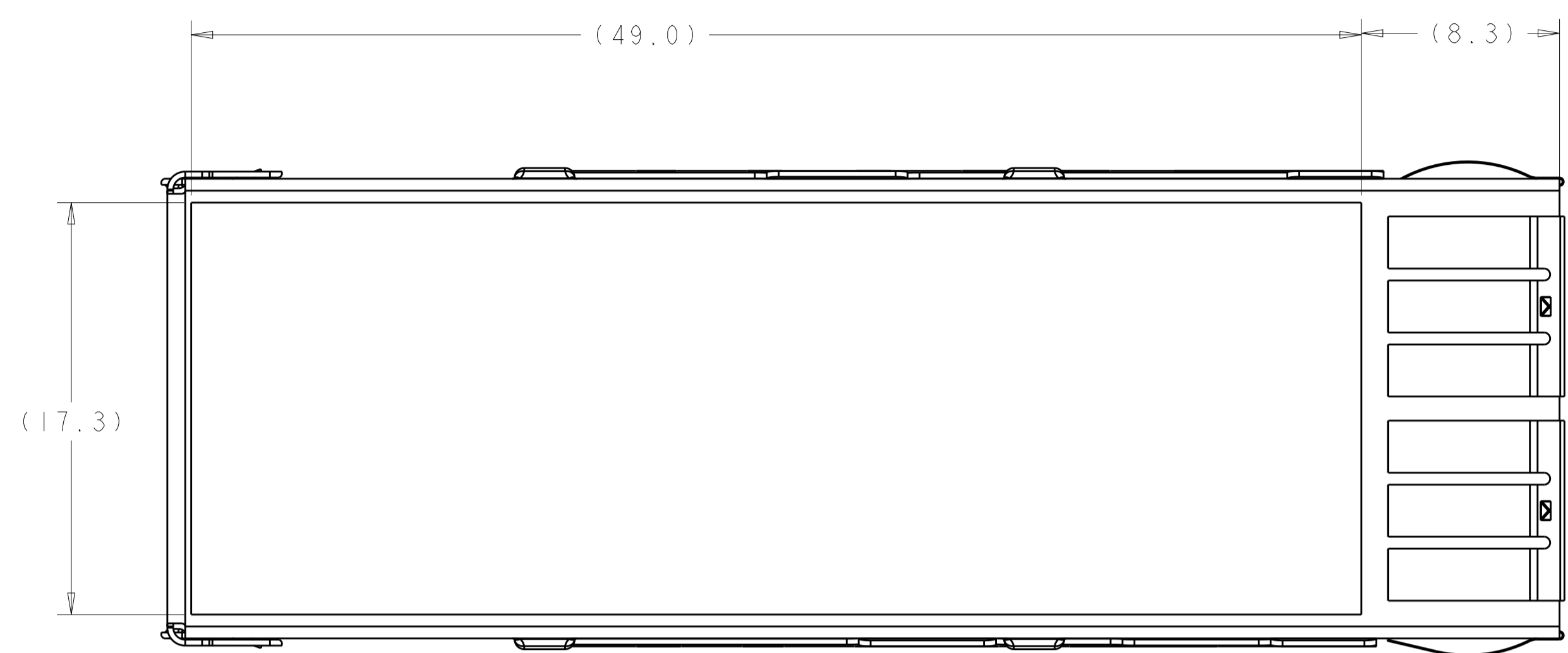


- 1 MATERIAL:  
 CAGE - 0.25 THICK CuNiSi 1.25µm MINIMUM TIN PER 112-16-4 OVER 0.125µm MINIMUM NICKEL PER 112-25-2.  
 OR 0.25 THICK NICKEL SILVER ALLOY  
 SPRINGS - COPPER ALLOY  
 HEAT SINK - ALUMINUM  
 HEAT SINK CLIP - STAINLESS STEEL
- 2 MINIMUM PITCH DIMENSION.
- 3. MATES WITH QSFP MSA COMPATIBLE TRANSCEIVER.
- 4 DATUM AND BASIC DIMENSIONS ESTABLISHED BY CUSTOMERS.
- 5. MINIMUM PC BOARD THICKNESS:  
 SINGLE SIDED: 1.45mm  
 DOUBLE SIDED: 2.2mm
- 6 DATUM [-A-] IS TOP SURFACE OF THE HOST BOARD.
- 7 SURFACE TRACES PERMITTED WITHIN THIS AREA EXCEPT WHERE CAGE STANDOFFS, SHOWN IN DETAIL J, CONTACT PC BOARD.
- 8 DATE CODE (YYWWD) MARKED APPROXIMATELY AS SHOWN.
- 9 FINISH:  
 SPRINGS - TIN PLATING OVER NICKEL, NON-PLATED EDGES PERMISSIBLE.  
 HEAT SINK - BLACK ANODIZED
- 10 DIMENSION APPLIES WITH MODULE INSTALLED IN THE CAGE.

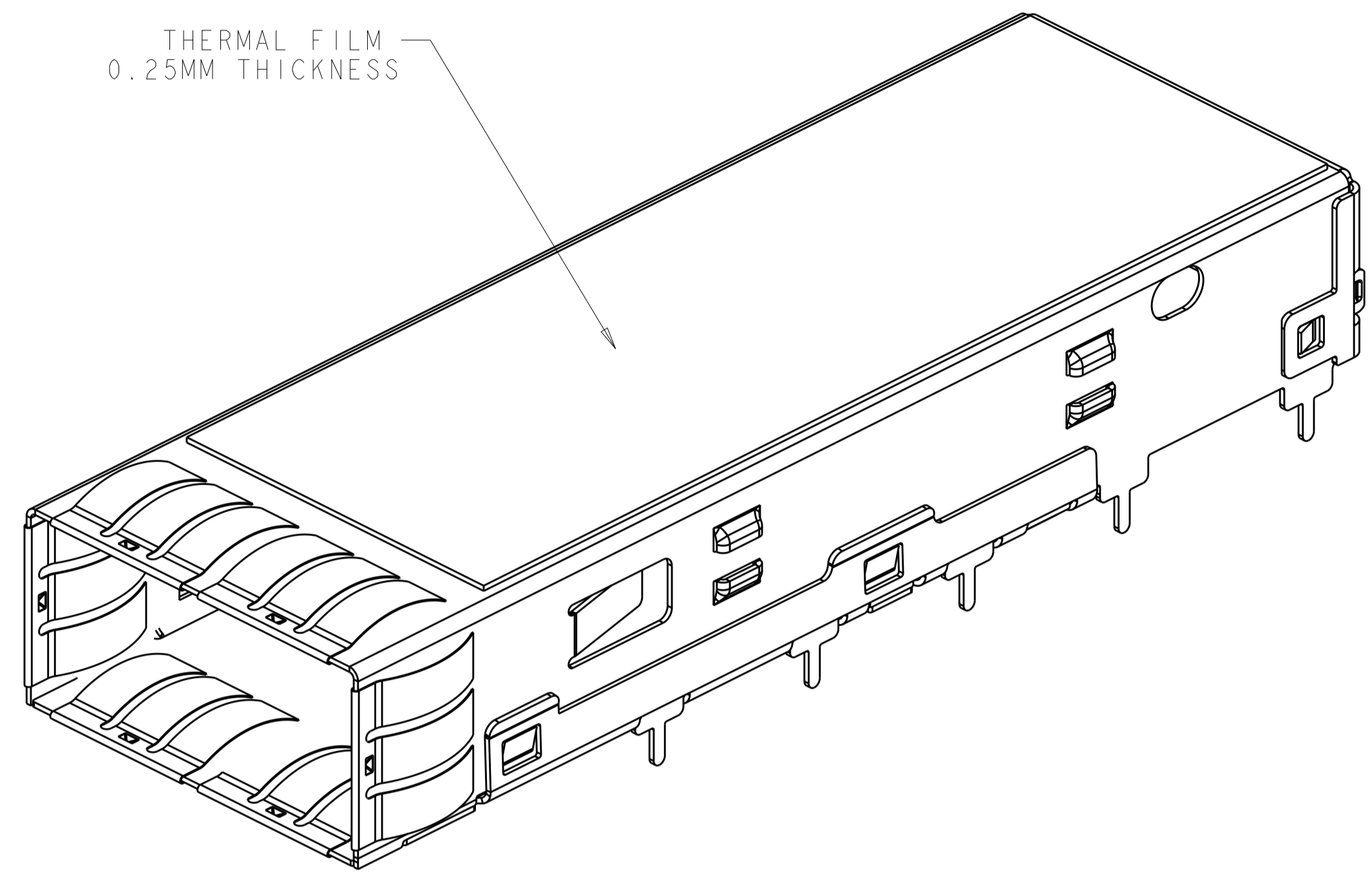
TIN PLATING OVER ALL	2.60	C70260 Cu Ni Si	2170322-6
TIN DIPPING ON TAIL	1.90	C77000 NICKEL SILVER ALLOY	2170322-3
TIN PLATING OVER ALL	1.90	C70260 Cu Ni Si	2170322-1
TREATMENT	DIM. A	CAGE MATERIAL	PART NUMBER

THIS DRAWING IS A CONTROLLED DOCUMENT.		DMN: PETER PAN 04FEB2013	TE Connectivity
DIMENSIONS: mm		CHK: JASON YANG 04FEB2013	
TOLERANCES UNLESS OTHERWISE SPECIFIED:		APVD: AILEY CAI 04FEB2013	
0 PLC ±0.25	1 PLC ±0.25	2 PLC ±0.20	NAME: QSFP
3 PLC ±0.20	4 PLC ±0.20	ANGLES ±°	PRODUCT SPEC: 108-2286
MATERIAL: 1	FINISH: 9	WEIGHT: -	APPLICATION SPEC: 114-13217
CUSTOMER DRAWING		SCALE: 2:1	RESTRICTED TO: -
		SHEET 1 OF 6	SIZE: A1
		REV D	CAGE CODE: 00779
			DRAWING NO: 2170322

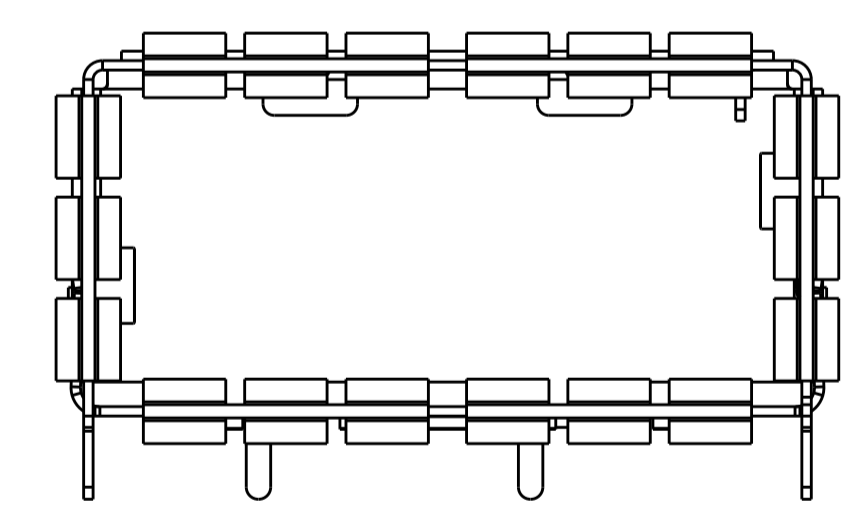
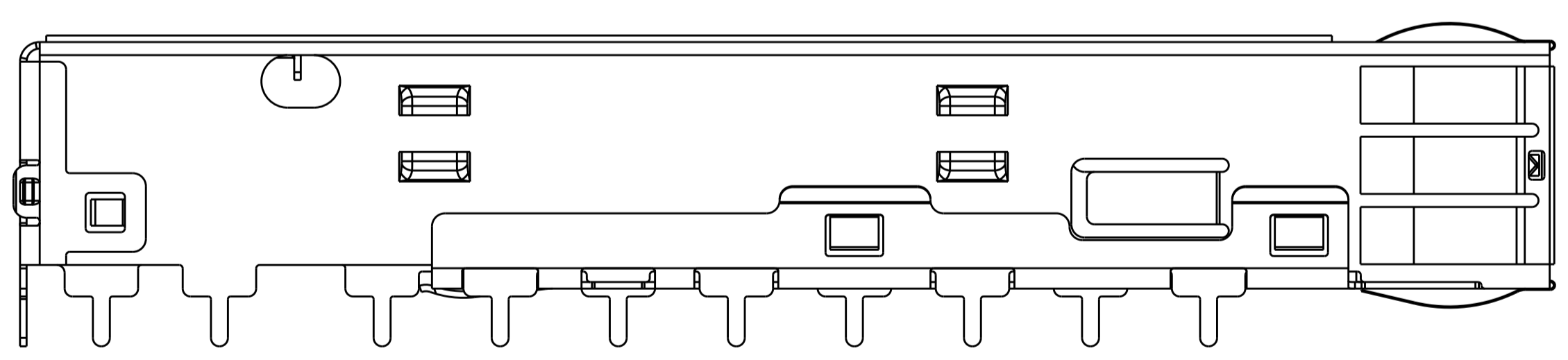
LOC	DIST	REVISIONS			
P	LTN	DESCRIPTION	DATE	DMN	APVD
GP	00	SEE SHEET 1	-	-	-



1-2170322-0 BE SAEM TO 2170322-1 EXCPET WITH THE FILM



1-2170322-0 AS SHOWN  
SCALE 5:1

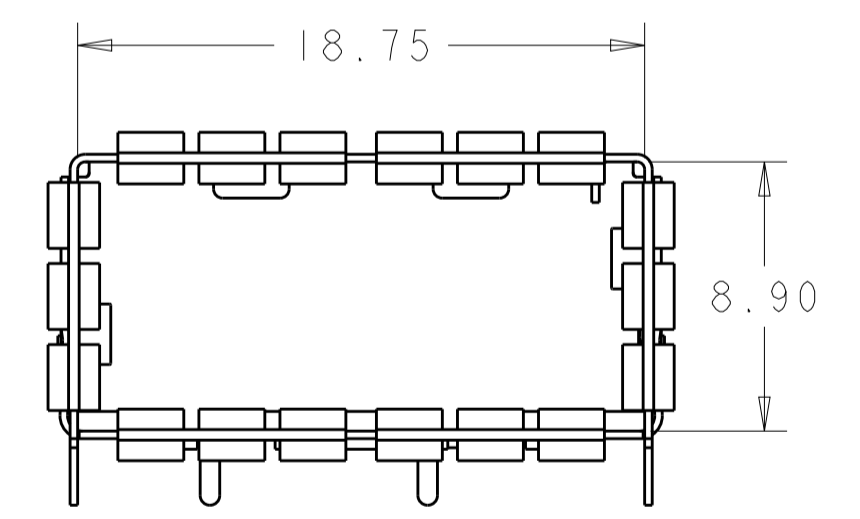
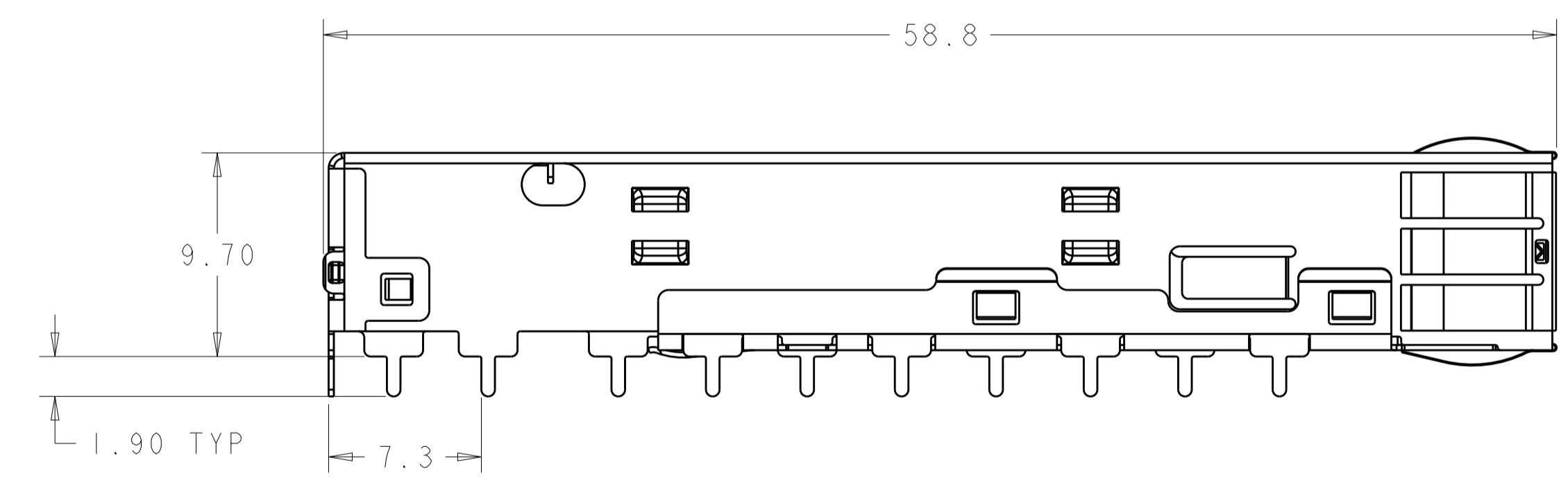
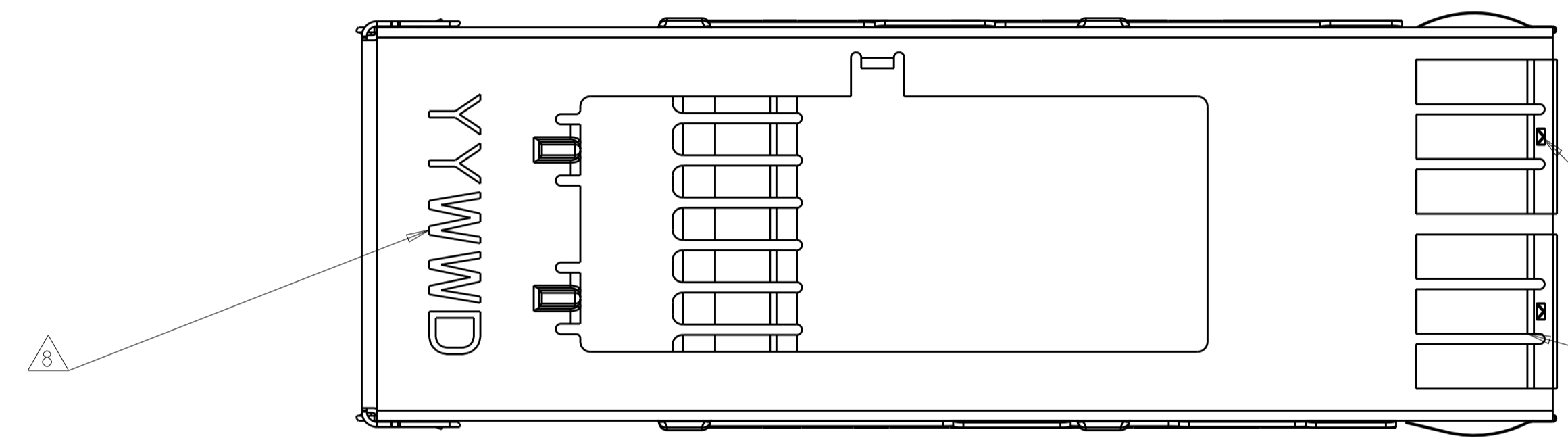
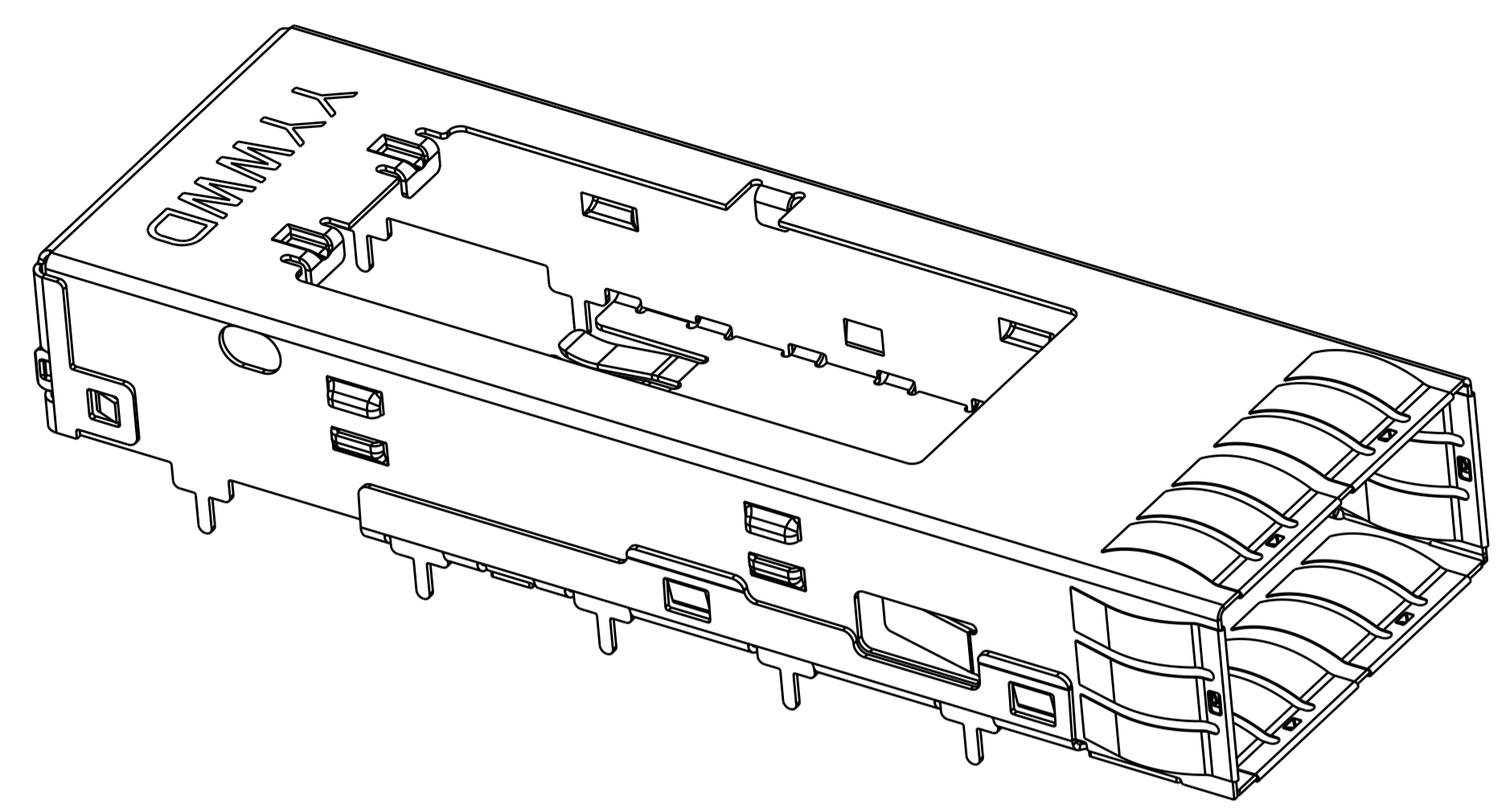


SCALE 5:1

TIN PLATING OVER ALL TREATMENT	C70260 Cu Ni Si	1-2170322-0
	CAGE MATERIAL	PART NUMBER

THIS DRAWING IS A CONTROLLED DOCUMENT.		DMN: PETER PAN 04FEB2013	TE Connectivity
DIMENSIONS:		CHK: JASON YANG 04FEB2013	
TOLERANCES UNLESS OTHERWISE SPECIFIED:		APVD: AILEY CAI 04FEB2013	
0 PLC ±0.25 1 PLC ±0.25 2 PLC ±0.20 3 PLC ± 4 PLC ± ANGLES ±°		NAME: OSFP PRODUCT SPEC: 108-2286 APPLICATION SPEC: 114-13217 WEIGHT: - CUSTOMER DRAWING	
MATERIAL: -	FINISH: -	SCALE: 2:1	SIZE: A1 CAGE CODE: 00779 DRAWING NO: C=2170322 SHEET 2 OF 6 REV D

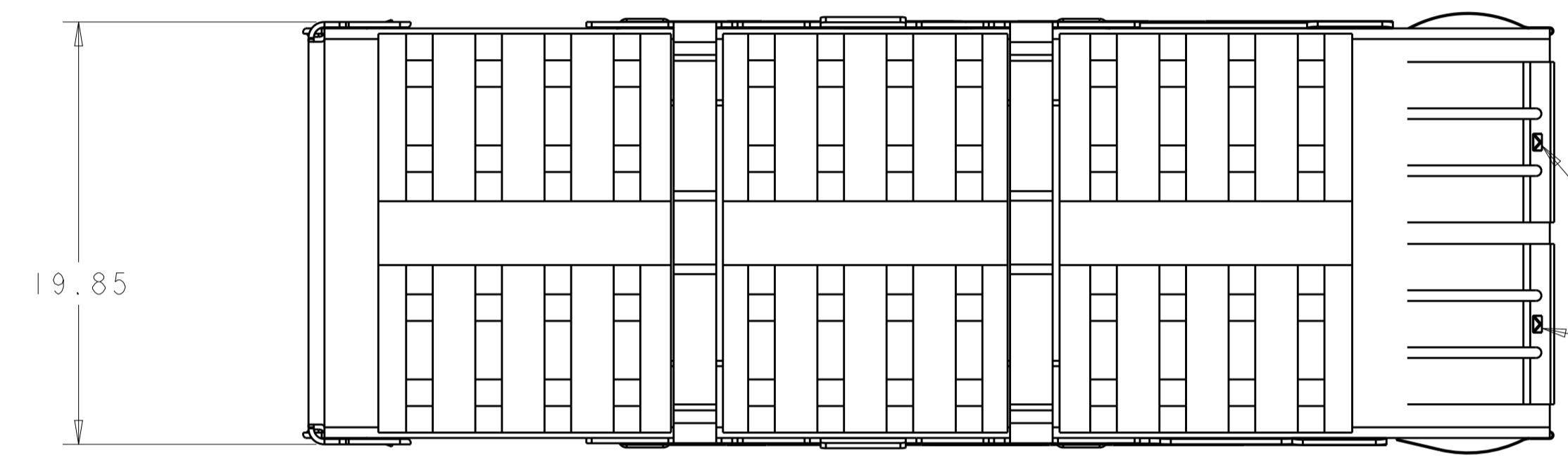
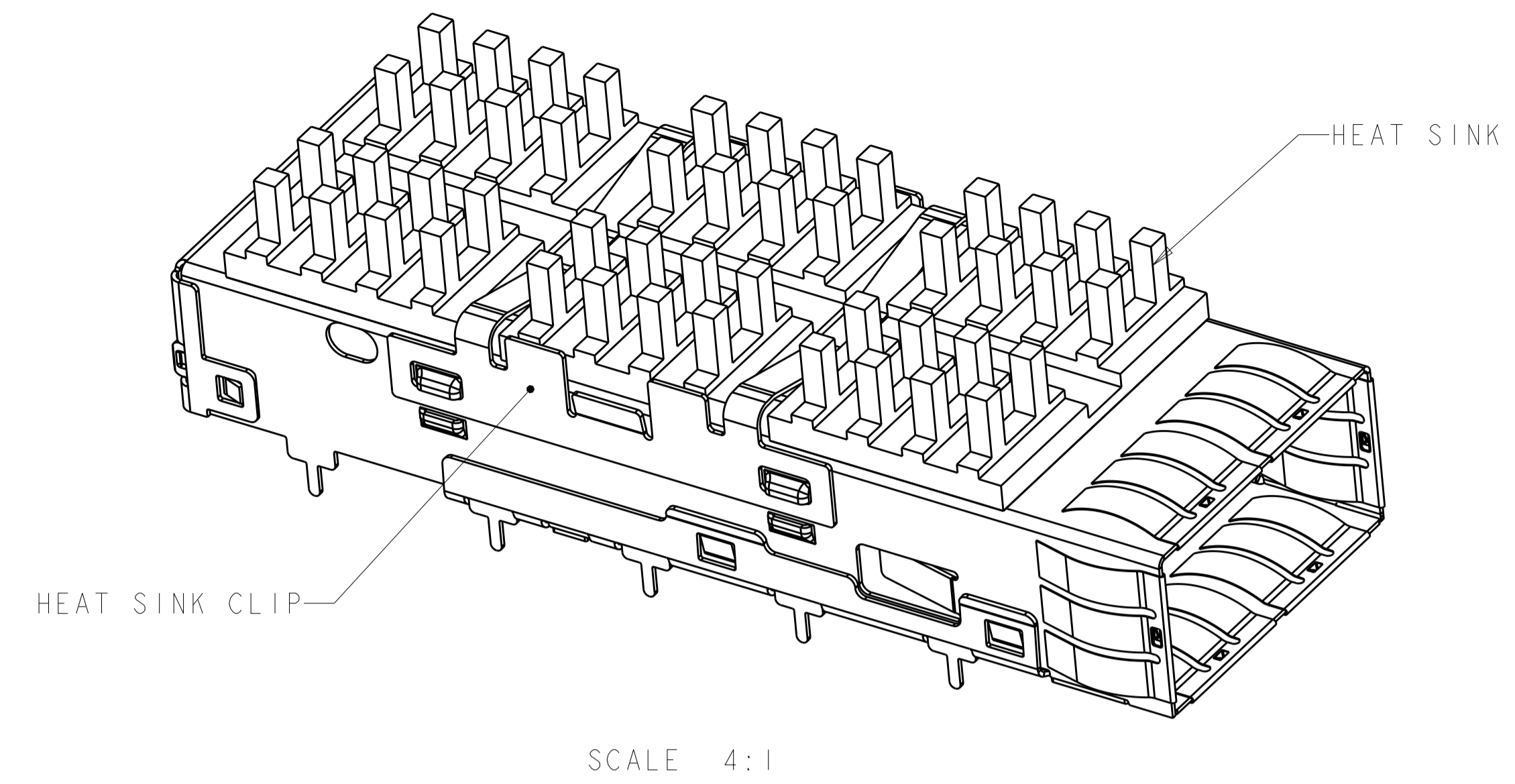
LOC	DIST	REVISIONS			
P	LTN	DESCRIPTION	DATE	DMN	APVD
-	-	SEE SHEET 1	-	-	-



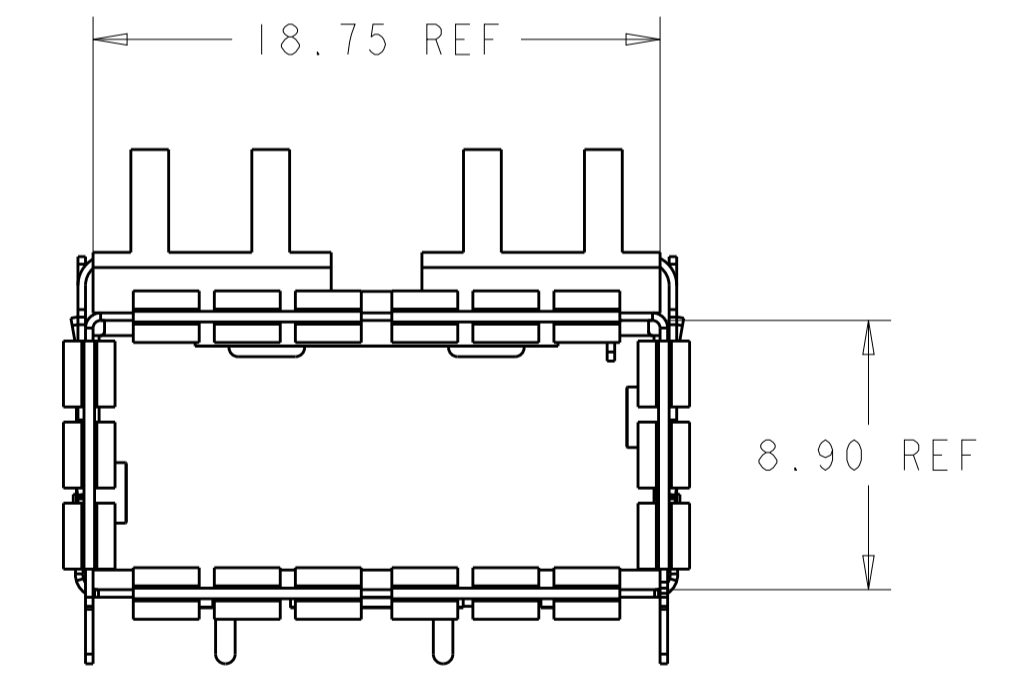
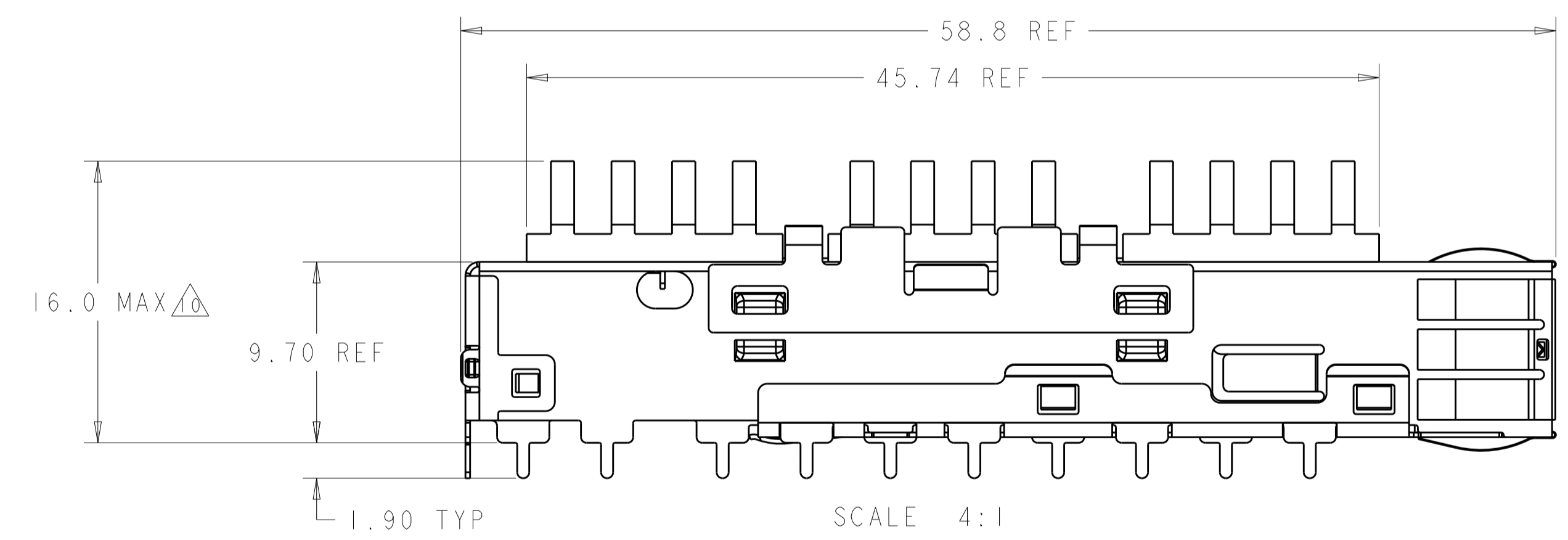
TIN PLATING OVER ALL TREATMENT	C70260 Cu Ni Si	2170322-2
	CAGE MATERIAL	PART NUMBER

THIS DRAWING IS A CONTROLLED DOCUMENT.		DMN: PETER PAN 04FEB2013	TE Connectivity
DIMENSIONS: mm		CHK: JASON YANG 04FEB2013	
TOLERANCES UNLESS OTHERWISE SPECIFIED:		APVD: AILEY CAI 04FEB2013	
0 PLC ±0.25 1 PLC ±0.25 2 PLC ±0.25 3 PLC ±0.20 4 PLC ± ANGLES ±°		NAME: QSFP PRODUCT SPEC: 108-2286 APPLICATION SPEC: 114-13217 WEIGHT: - CUSTOMER DRAWING	
MATERIAL: -		SIZE: A100779	CAGE CODE: C=2170322 RESTRICTED TO: - SCALE: 2:1 SHEET 3 OF 6 REV D

LOC	DIST	REVISIONS					
		P.	LTN	DESCRIPTION	DATE	DMN	APVD
GP	00	-	-	SEE SHEET 1	-	-	-



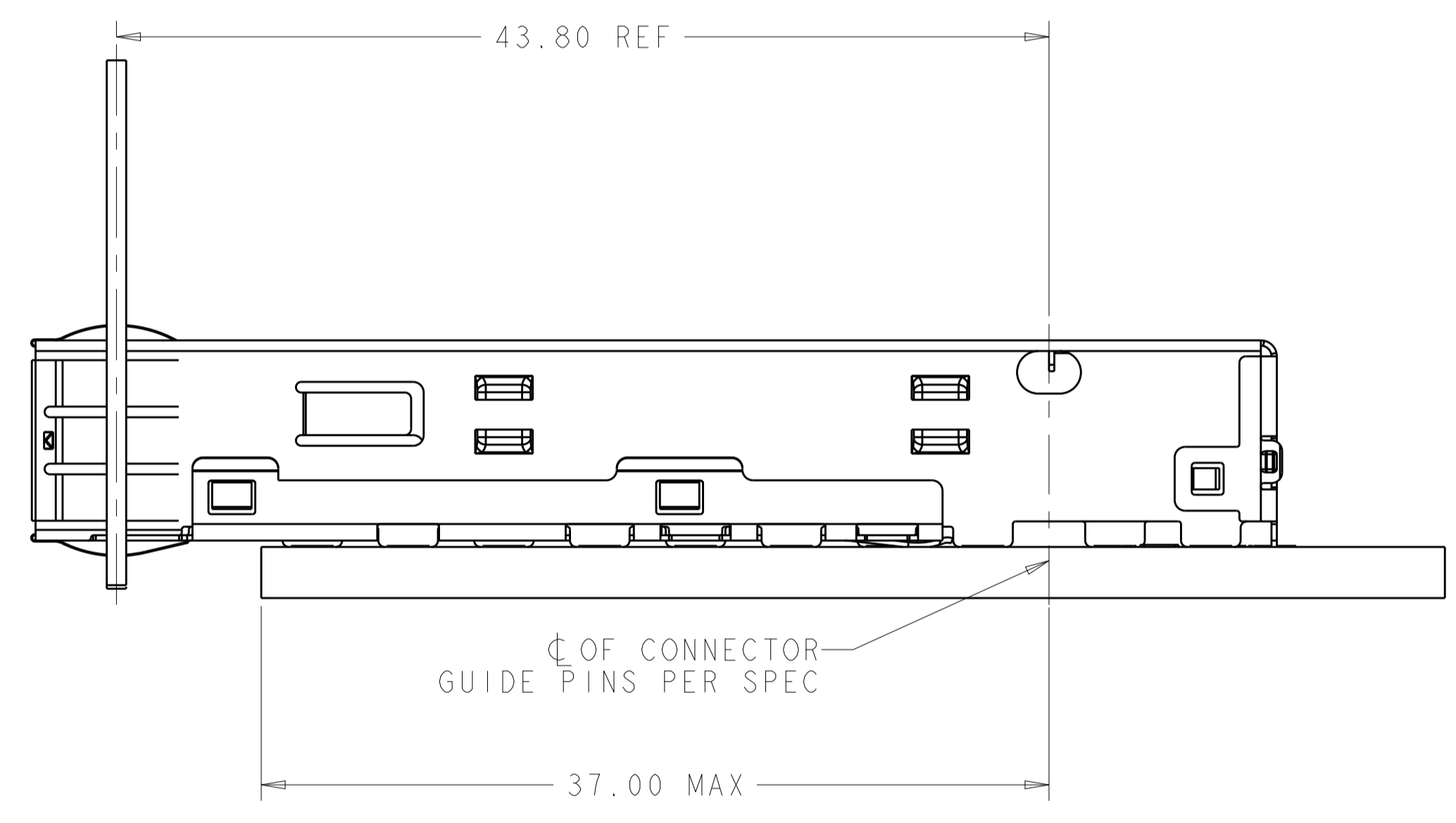
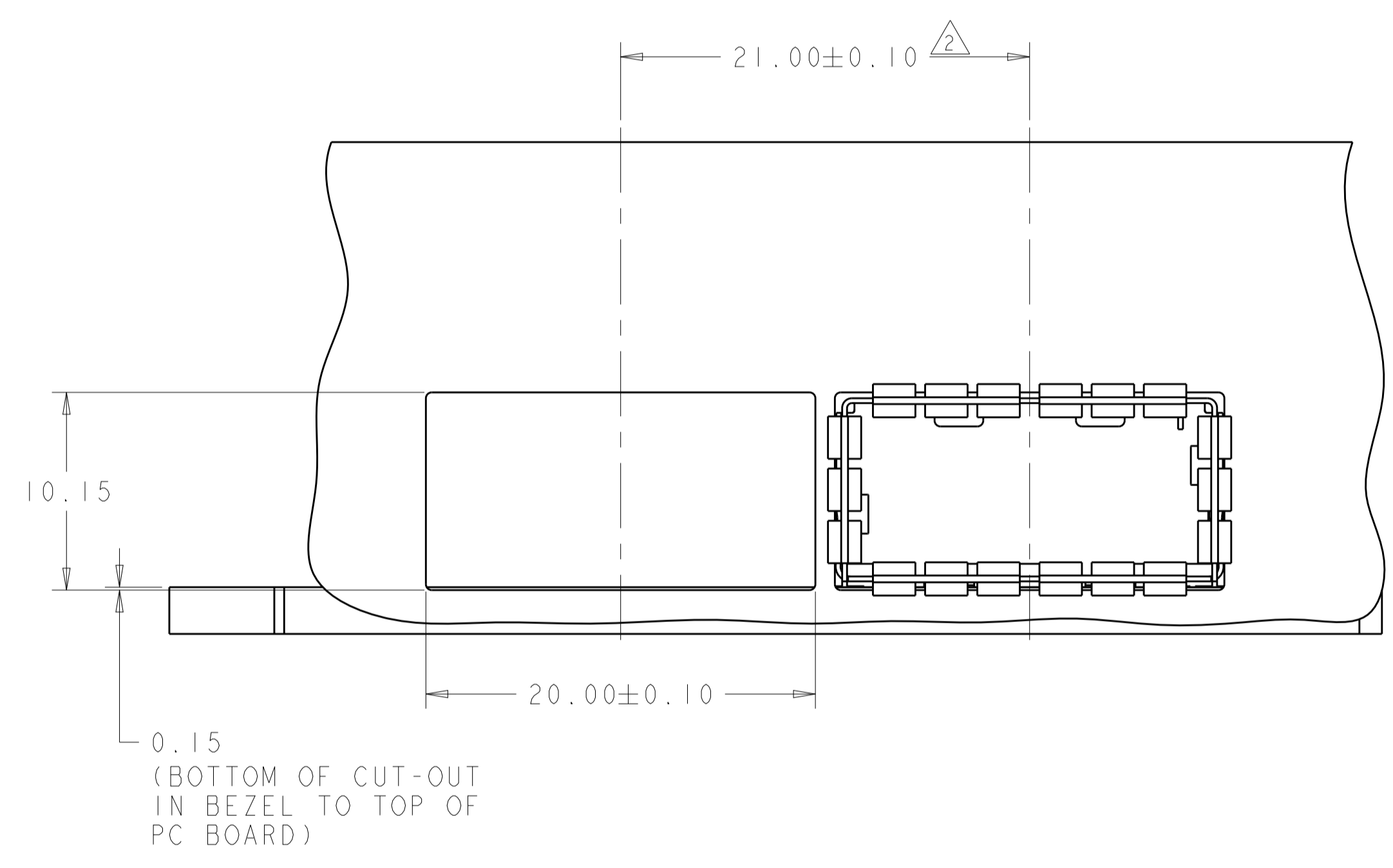
Sn42Bi58 SOLDER  
6 PLACES



$\Delta$ TIN DIPPING ON TAIL	C77000 NICKEL SILVER ALLOY	2170322-5
TIN PLATING OVER ALL	C70260 Cu Ni Si	2170322-4
TAIL TREATMENT	CAGE MATERIAL	PART NUMBER

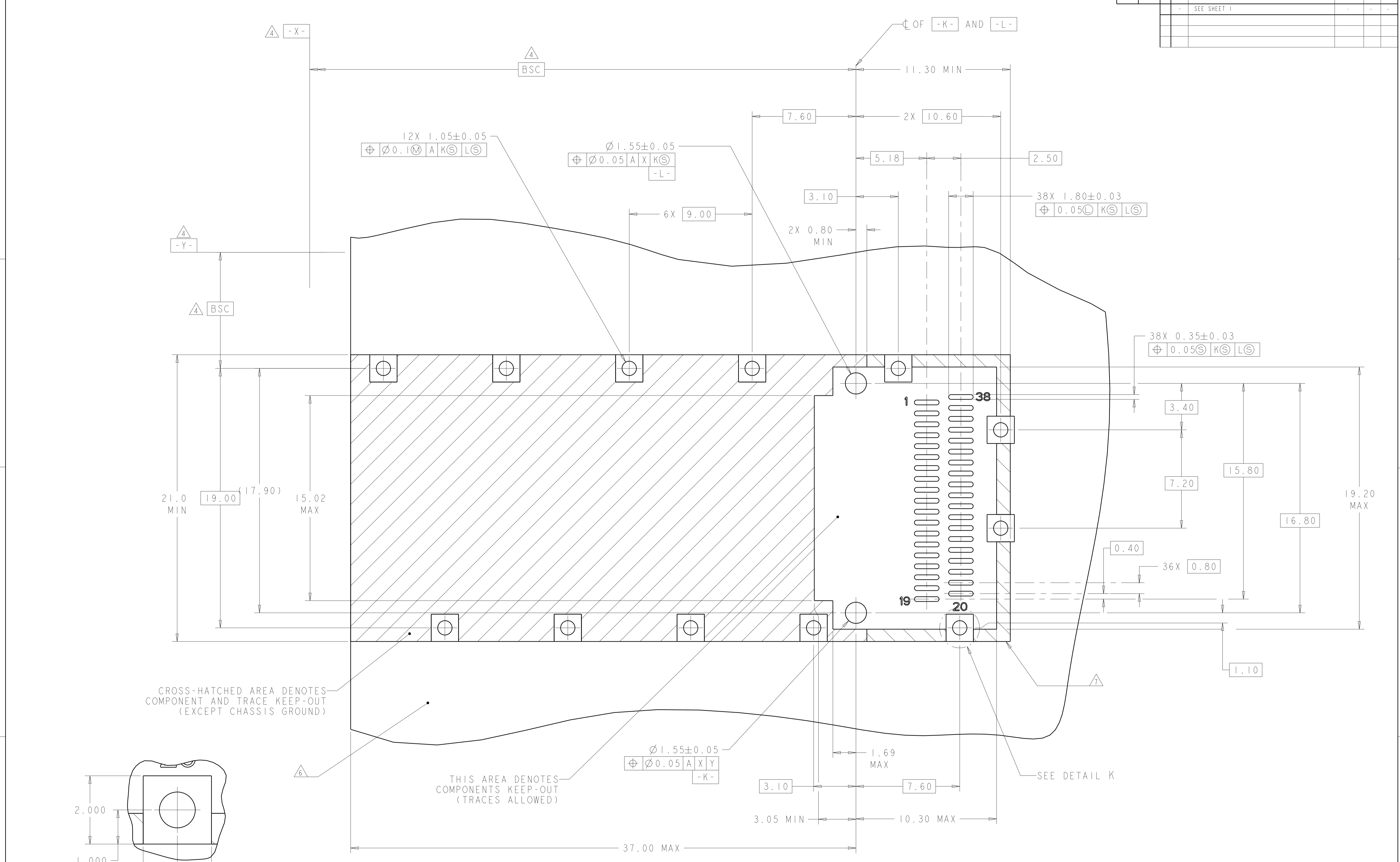
THIS DRAWING IS A CONTROLLED DOCUMENT.		DMN: PETER PAN 04FEB2013	TE Connectivity
DIMENSIONS:		CHK: JASON YANG 04FEB2013	
TOLERANCES UNLESS OTHERWISE SPECIFIED:		APVD: AILEY CAI 04FEB2013	
mm 0 PLC $\pm 0.25$ 1 PLC $\pm 0.25$ 2 PLC $\pm 0.25$ 3 PLC $\pm 0.20$ 4 PLC $\pm$ ANGLES $\pm$ FINISH $\pm 4^\circ$		NAME: OSFP PRODUCT SPEC: 108-2286 APPLICATION SPEC: 114-13217 WEIGHT: - CUSTOMER DRAWING	
MATERIAL: -		SIZE: A100779	CAGE CODE: C=2170322 DRAWING NO: - RESTRICTED TO: - SCALE: 2:1 SHEET 4 OF 6 REV D

LOC	DIST	REVISIONS					
GP	00	P	LTN	DESCRIPTION	DATE	DWN	APVD
-	-	-	-	SEE SHEET 1	-	-	-



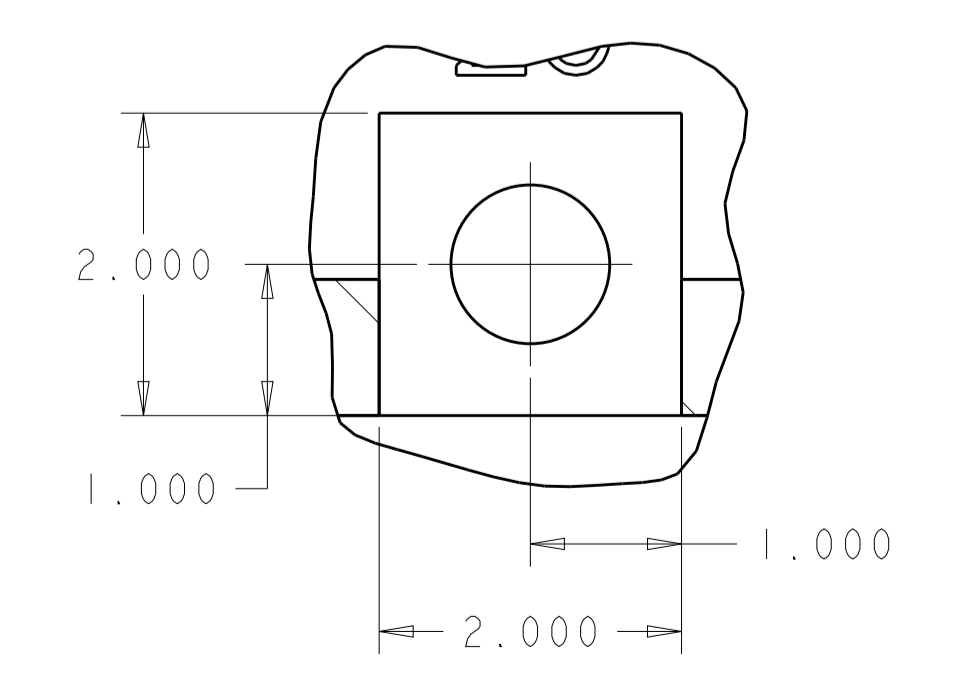
THIS DRAWING IS A CONTROLLED DOCUMENT.		OWN: PETER PAN 04FEB2013	TE Connectivity
DIMENSIONS:		CHK: JASON YANG 04FEB2013	
TOLERANCES UNLESS OTHERWISE SPECIFIED:		APVD: ALEY CAI 04FEB2013	
0 PLC ±0.25 1 PLC ±0.25 2 PLC ±0.25 3 PLC ±0.20 4 PLC ± ANGLES ±°		NAME: OSFP IXI CAGE ASSEMBLY SOLDER, THRU BEZEL	
MATERIAL: -		PRODUCT SPEC: 108-2286	SIZE: A100779
FINISH: -		APPLICATION SPEC: 114-13217	CAGE CODE: C=2170322
WEIGHT: -		RESTRICTED TO: -	SCALE: 2:1
CUSTOMER DRAWING		DATE: 04FEB2013	SHEET 5 OF 6
		REV: D	

LOC		DIST		REVISIONS			
GP	00	P	LTH	DESCRIPTION	DATE	DMN	APVD
		-		SEE SHEET 1			



CROSS-HATCHED AREA DENOTES COMPONENT AND TRACE KEEP-OUT (EXCEPT CHASSIS GROUND)

THIS AREA DENOTES COMPONENTS KEEP-OUT (TRACES ALLOWED)



DETAIL K  
SCALE 20:1

RECOMMENDED PC BOARD LAYOUT  
SCALE 8:1

THIS DRAWING IS A CONTROLLED DOCUMENT.		DMN: PETER PAN 04FEB2013	TE Connectivity
DIMENSIONS: mm		CHK: JASON YANG 04FEB2013	
TOLERANCES UNLESS OTHERWISE SPECIFIED:		APVD: AILEY CAI 04FEB2013	NAME: QSFP
0 PLC ±0.25	1 PLC ±0.25	PRODUCT SPEC	IXI CAGE ASSEMBLY
2 PLC ±0.20	3 PLC ±0.20	APPLICATION SPEC	SOLDER, THRU BEZEL
4 PLC ±0.20	ANGLES ±0.5°	SIZE: 114-13217	RESTRICTED TO
MATERIAL: -	FINISH: -	WEIGHT: -	A100779C=2170322
CUSTOMER DRAWING		SCALE: 2:1	SHEET 6 OF 6 REV D

单击下面可查看定价，库存，交付和生命周期等信息

[>>TE Connectivity\(泰科\)](#)