

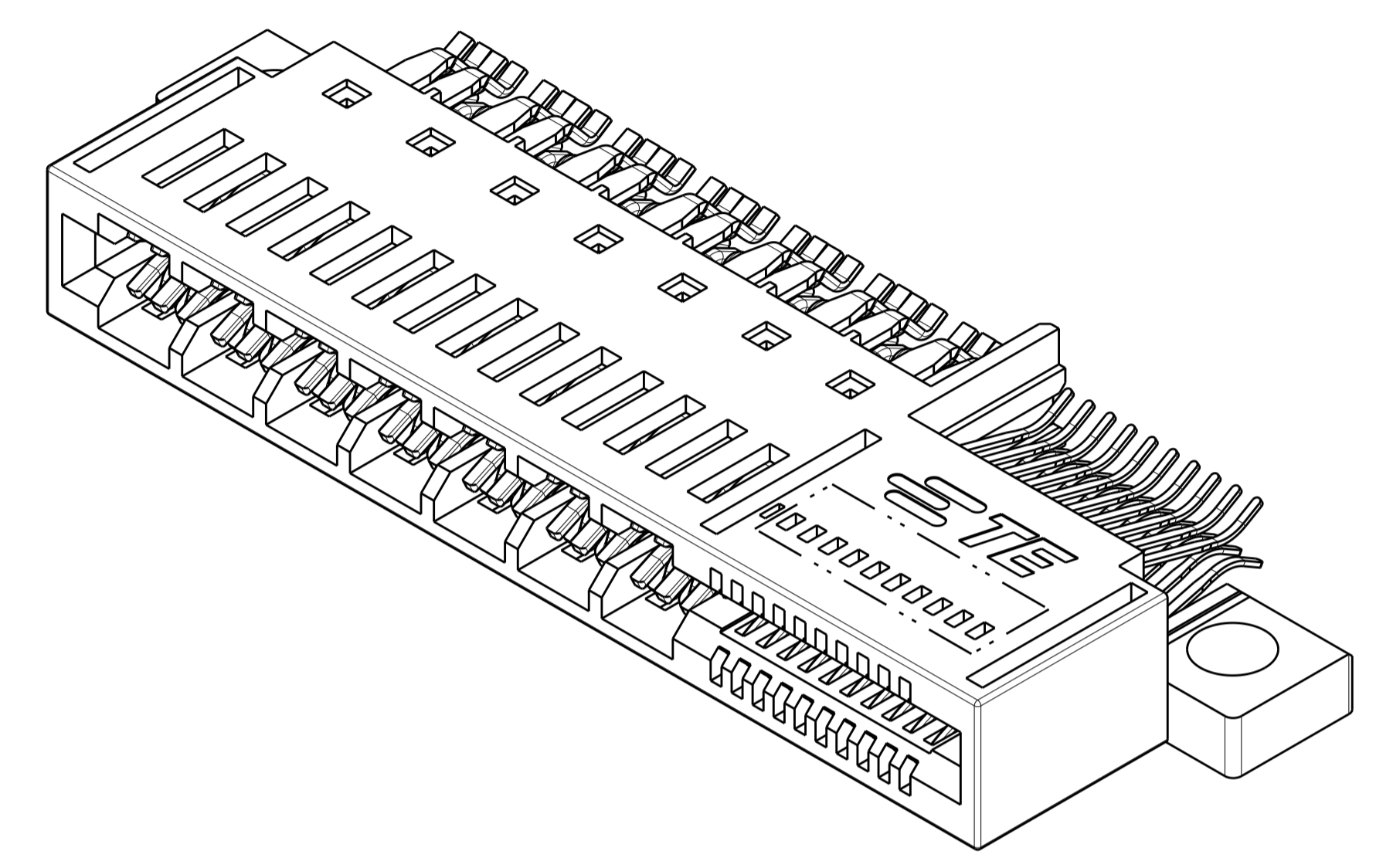
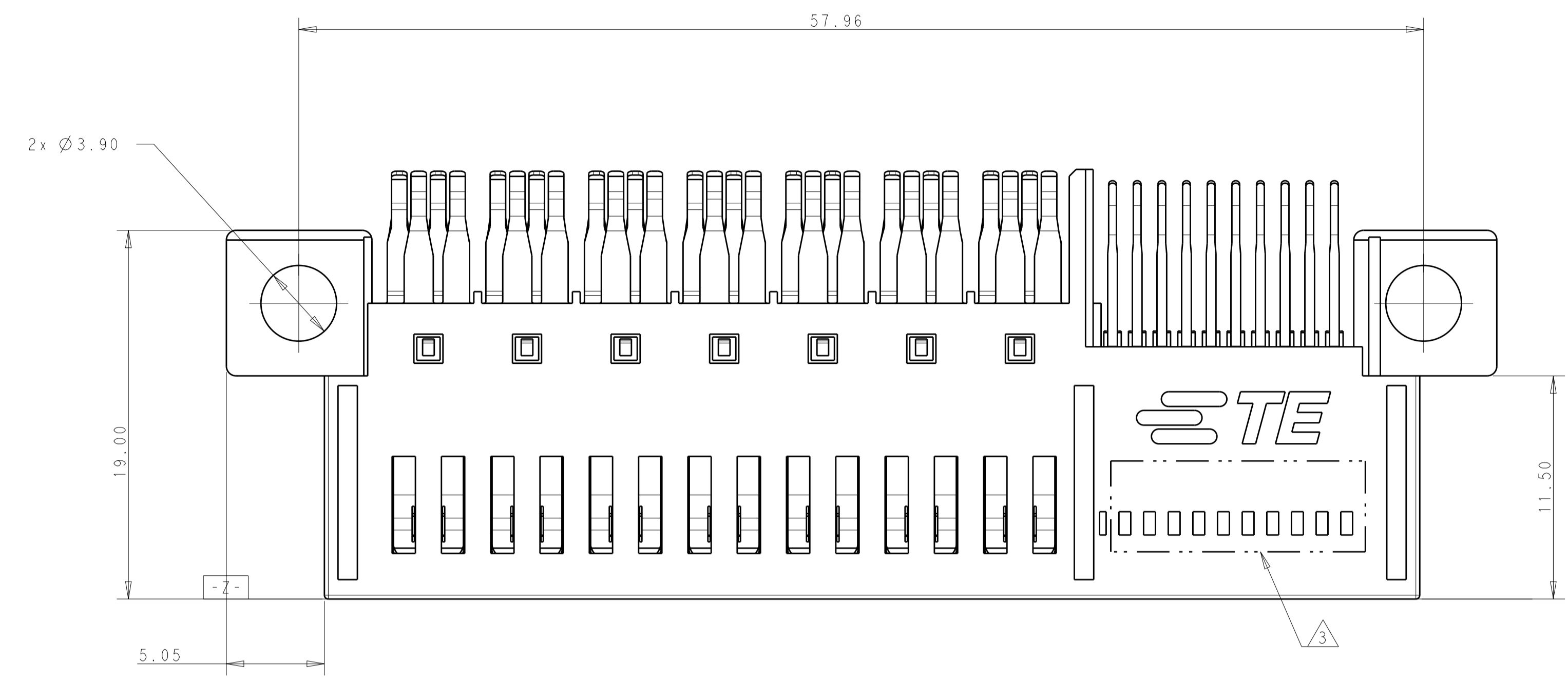
REVISIONS				
P	LTN	DESCRIPTION	DATE	OWN APVD
A		FIRST RELEASE	23JUN2020	SZ SZ

NOTES, UNLESS OTHERWISE SPECIFIED

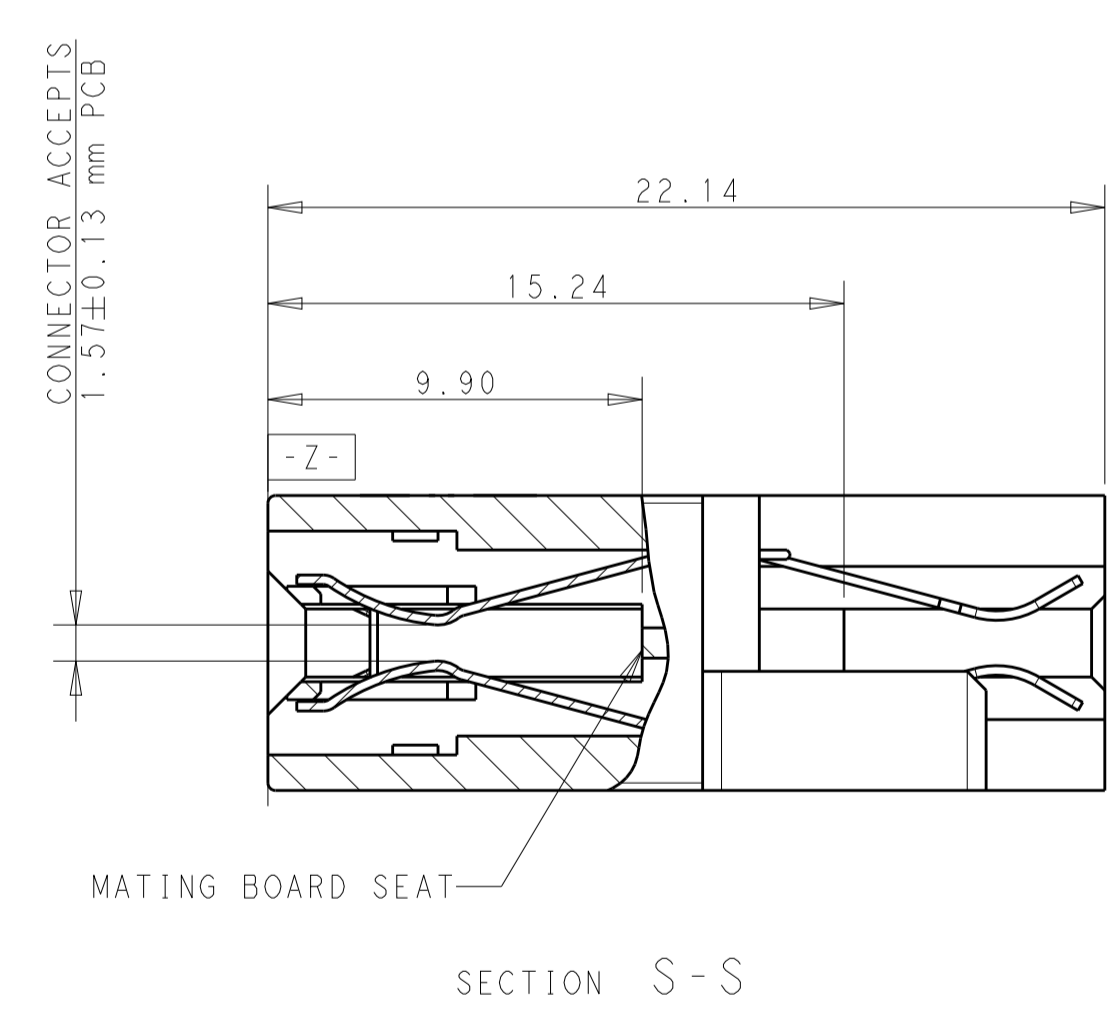
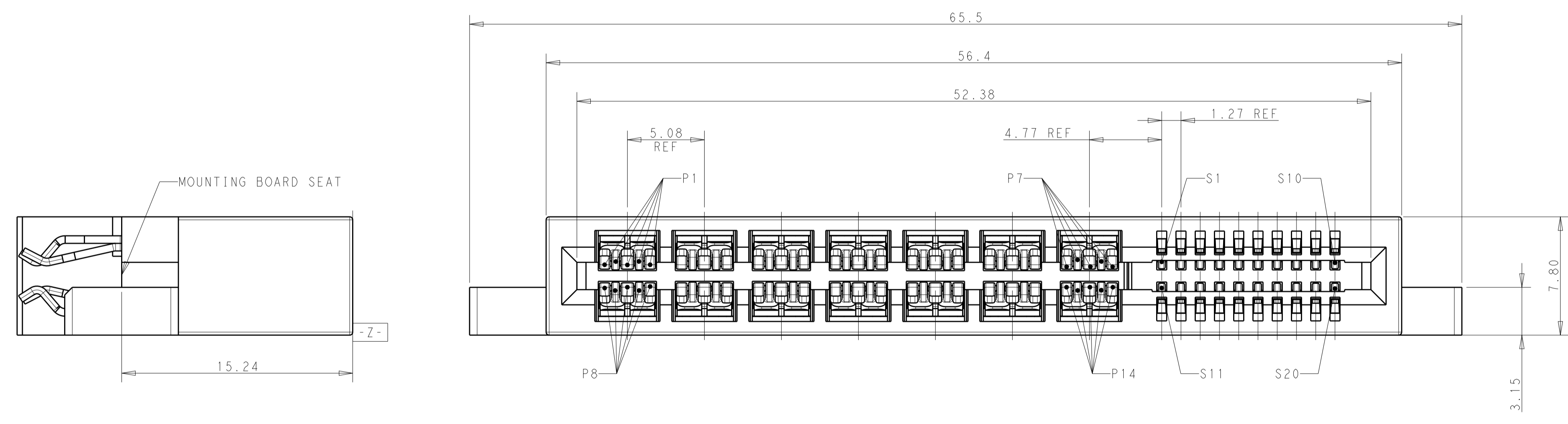
1. MATERIAL:  
 HOUSING - THERMOPLASTIC, GLASS PREINFORCED, COLOR, BLACK, UL 94V-0  
 CONTACTS - COPPER ALLOY.

2. FINISH:  
 MATING AREA - NOBLE METAL OVERALL NICKEL.  
 SOLDER TAIL - MATTE TIN OVERALL NICKEL.

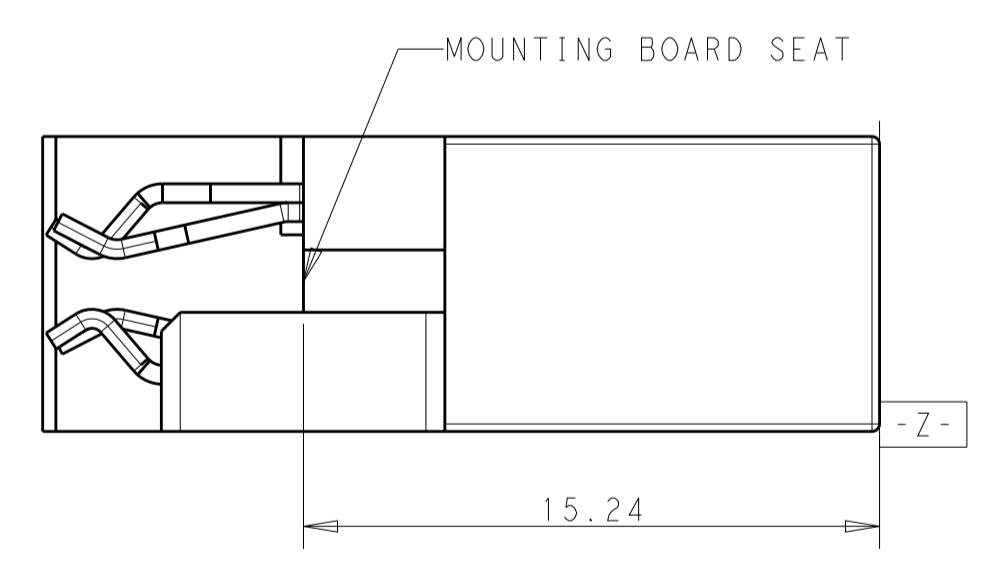
3. MARK P/N AND DATA CODE IN APPROX. AREA AS SHOWN.



SCALE 4:1



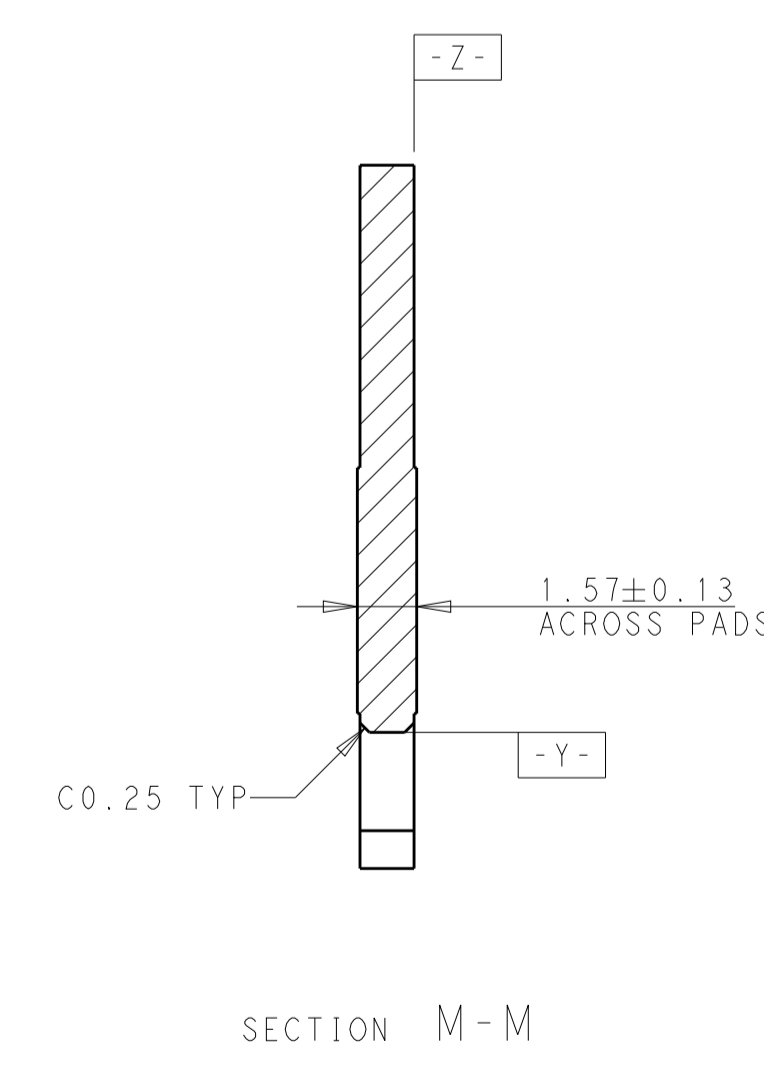
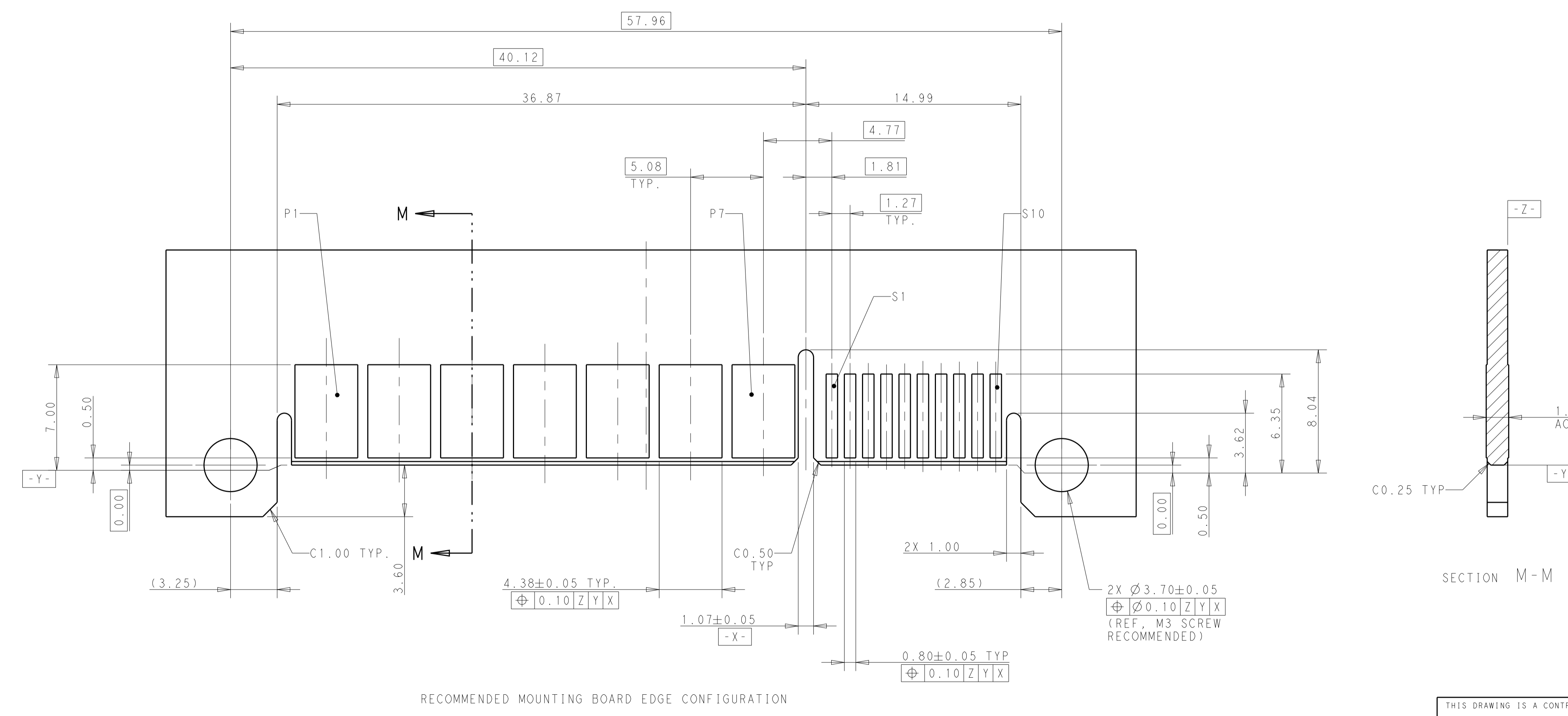
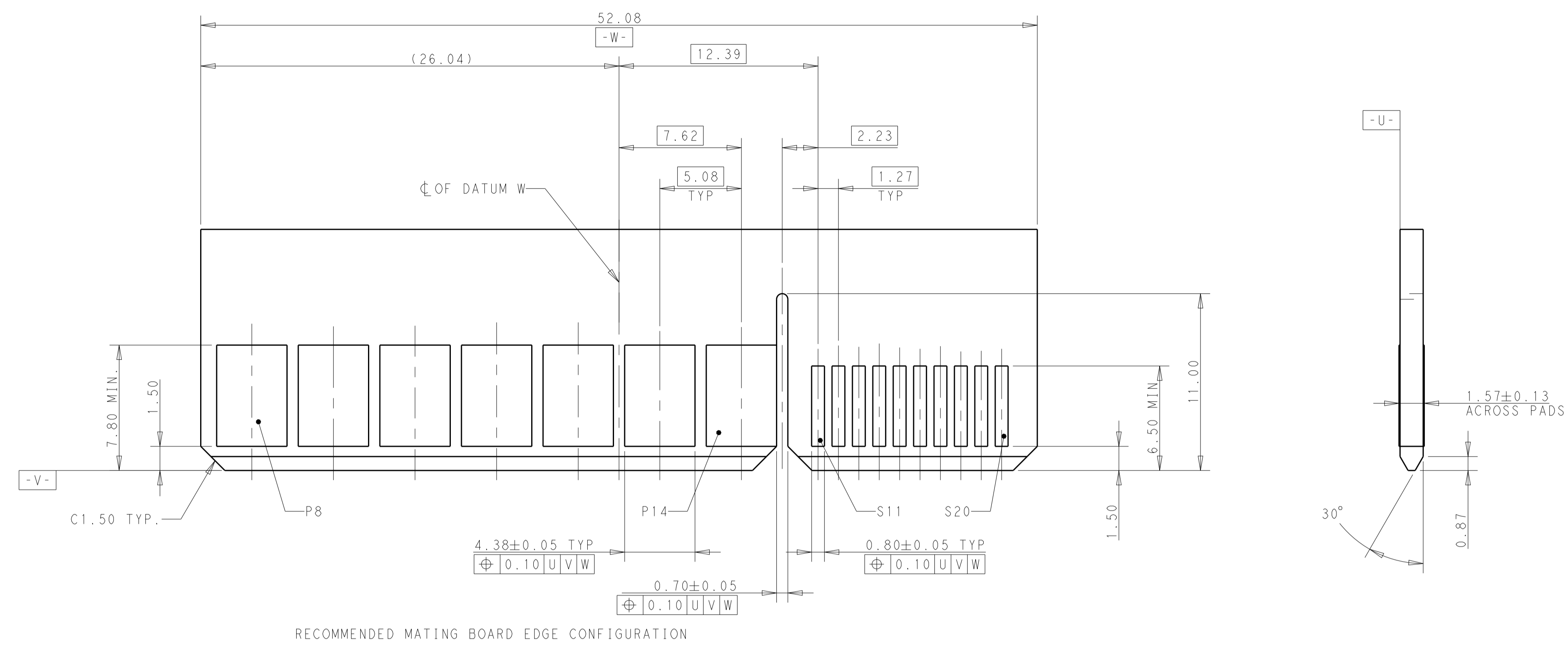
SECTION S-S



PART NUMBER 2360411-1

THIS DRAWING IS A CONTROLLED DOCUMENT.		OWN: SEAN ZHANG 30JUL2019	TE Connectivity
DIMENSIONS: mm		CHK: SUNY ZHAO 30JUL2019	
TOLERANCES UNLESS OTHERWISE SPECIFIED:		NAME: HD+ CARD EDGE	PRODUCT SPEC: 2X7P-2X10S, STRA, WITH M-EAR APPLICATION SPEC:
0 PLC ± 1 PLC ±0.5 2 PLC ±0.25 3 PLC ± 4 PLC ± ANGLES ± FINISH ±		SIZE: A1	
MATERIAL:		WEIGHT:	RESTRICTED TO:
CUSTOMER DRAWING		SCALE: 2:1	SHEET 1 OF 2 REV A

REVISIONS				
P.	LTN	DESCRIPTION	DATE	APVD
		SEE SHEET 1		



THIS DRAWING IS A CONTROLLED DOCUMENT.		OWN: SEAN ZHANG	30JUL2019		TE Connectivity
DIMENSIONS: mm		CHK: SUNY ZHAO	30JUL2019		NAME: HD+ CARD EDGE
TOLERANCES UNLESS OTHERWISE SPECIFIED:		APVD: SUNY ZHAO	30JUL2019	PRODUCT SPEC:	2X7P-2X10S, STRA, WITH M-EAR
0 PLC ±0.10		APPLICATION SPEC:		SIZE: A1	CAGE CODE: C=2360411
1 PLC ±0.05		RESTRICTED TO:		SCALE: 2:1	SHEET 2 OF 2
2 PLC ±0.05		REVISION:		REV: A	
3 PLC ±0.05					
4 PLC ±0.05					
ANGLES ±0.10					
FINISH ±0.05					
MATERIAL: TBD		WEIGHT:			
		CUSTOMER DRAWING			

单击下面可查看定价，库存，交付和生命周期等信息

[>>TE Connectivity\(泰科\)](#)