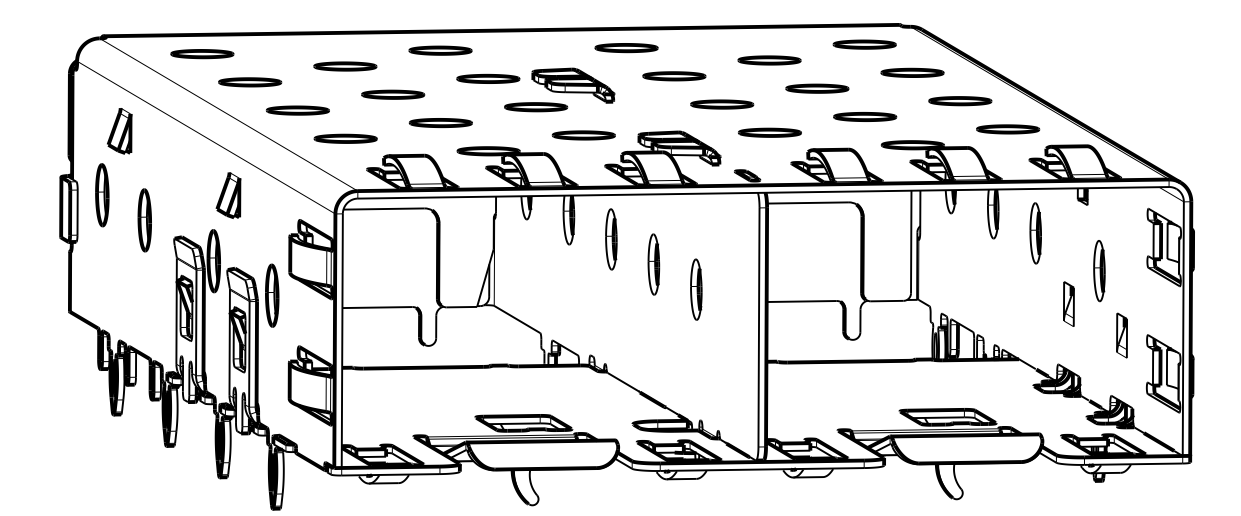
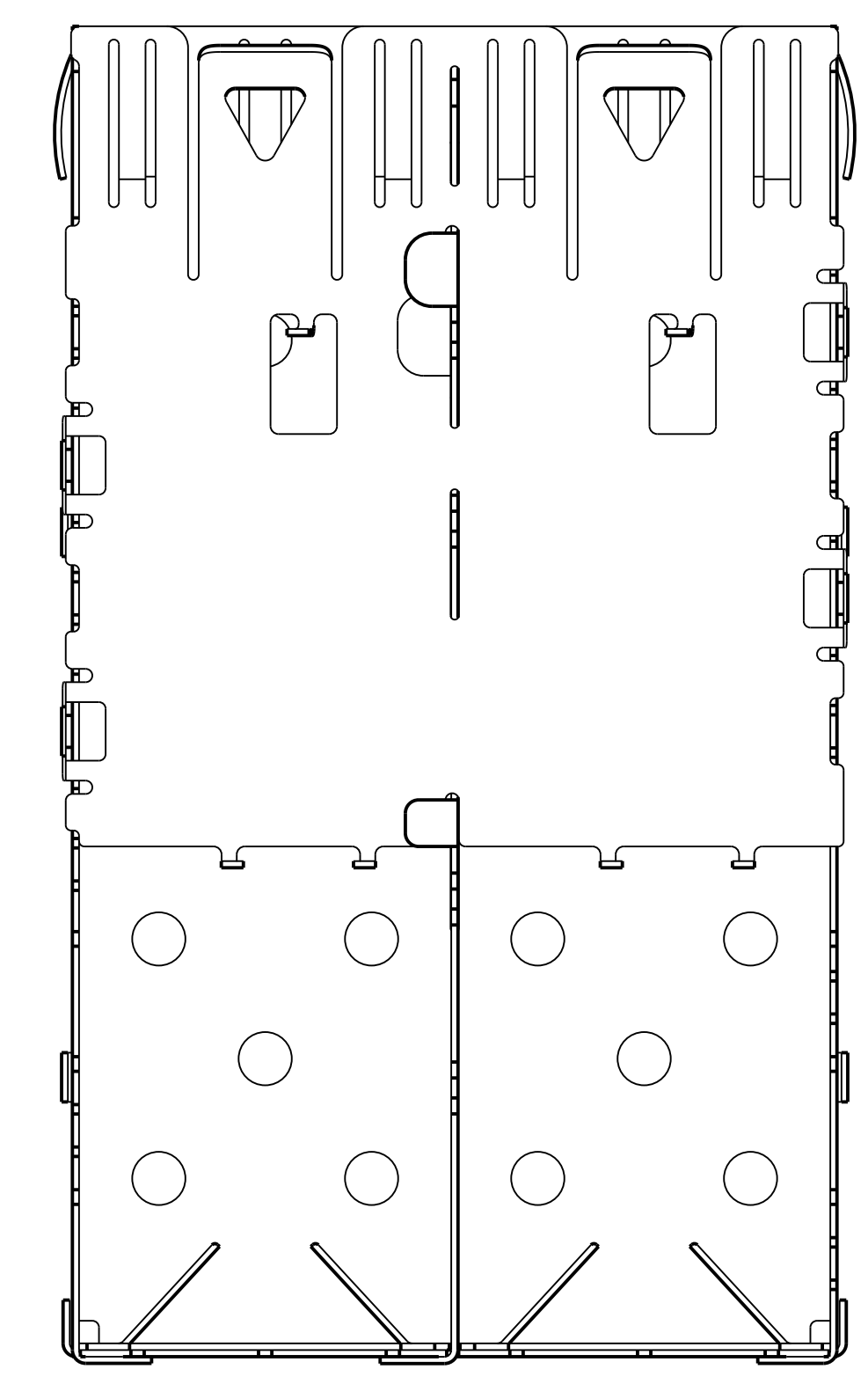
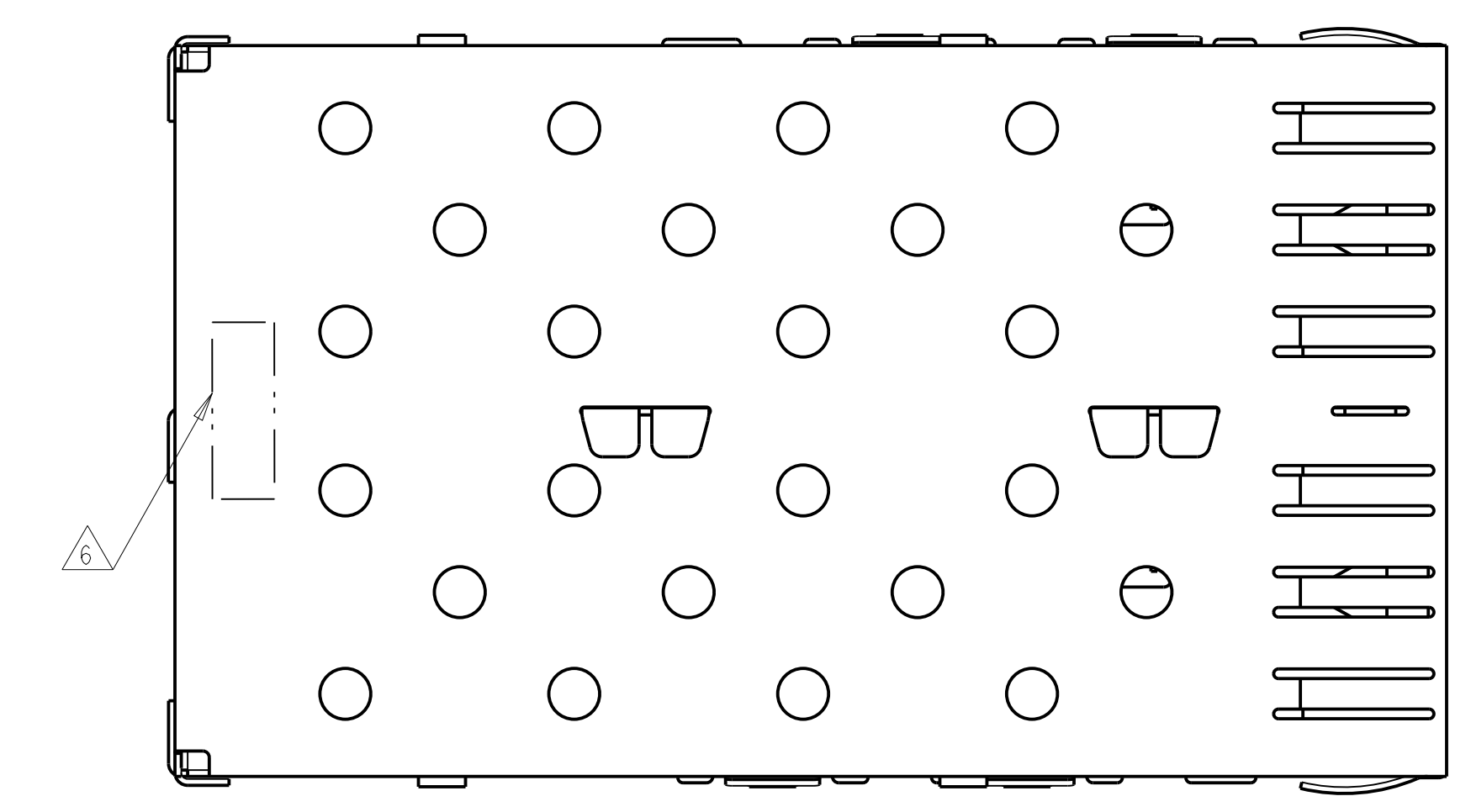
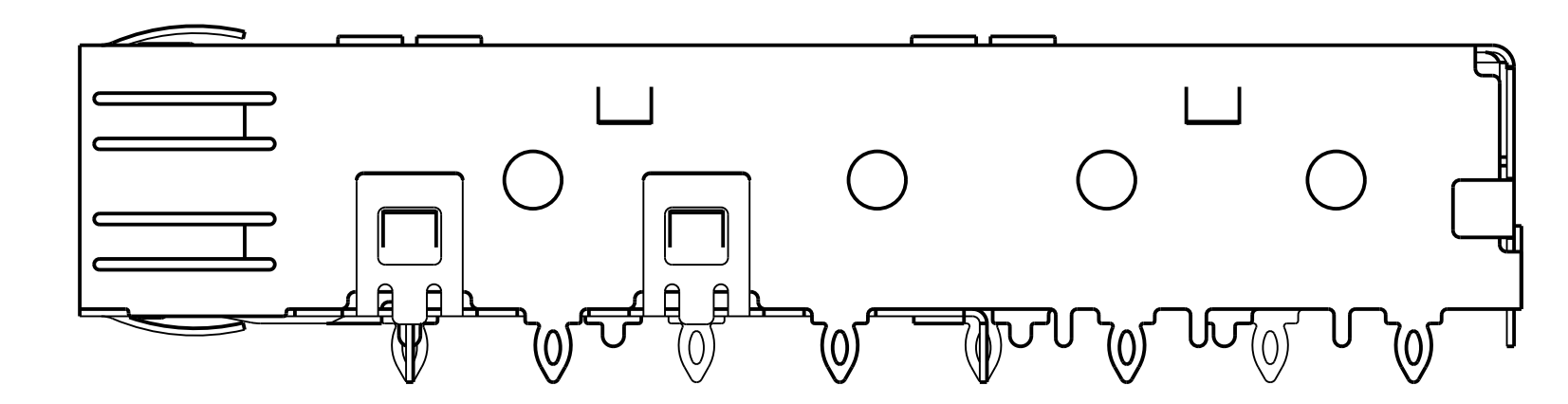
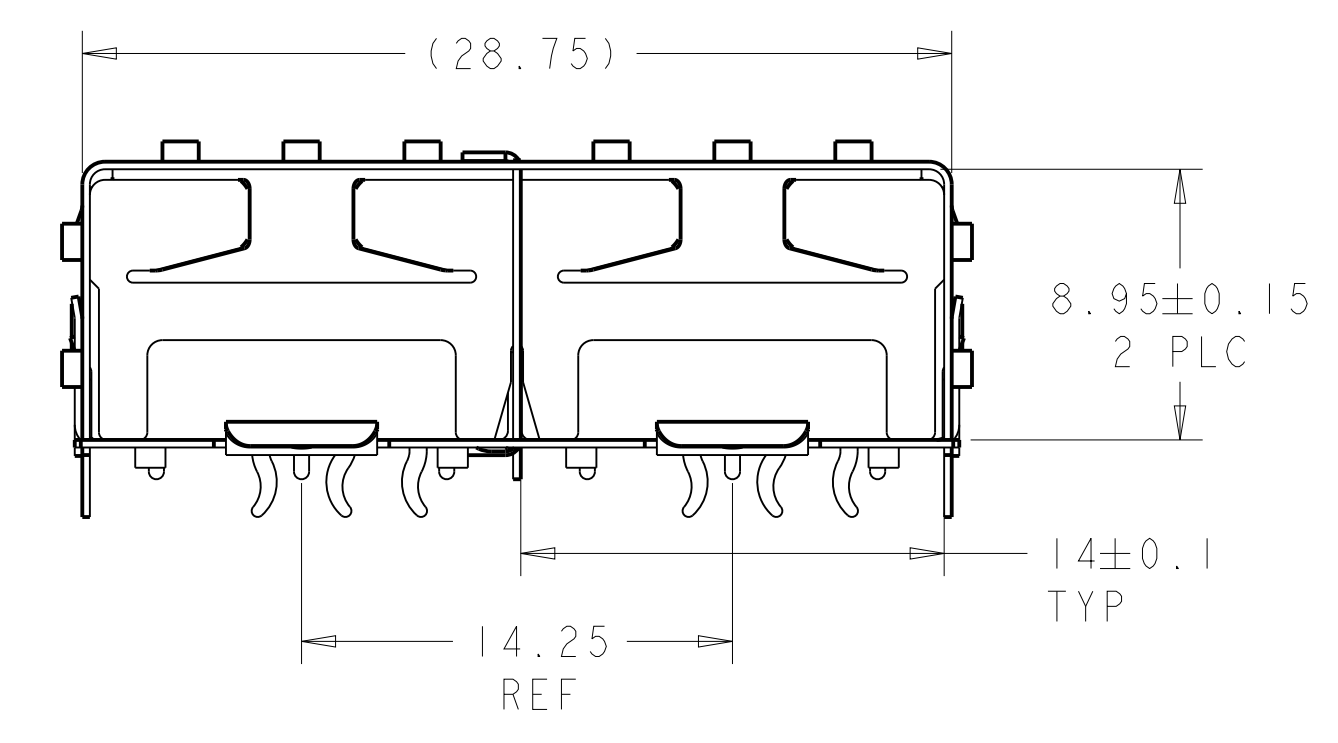
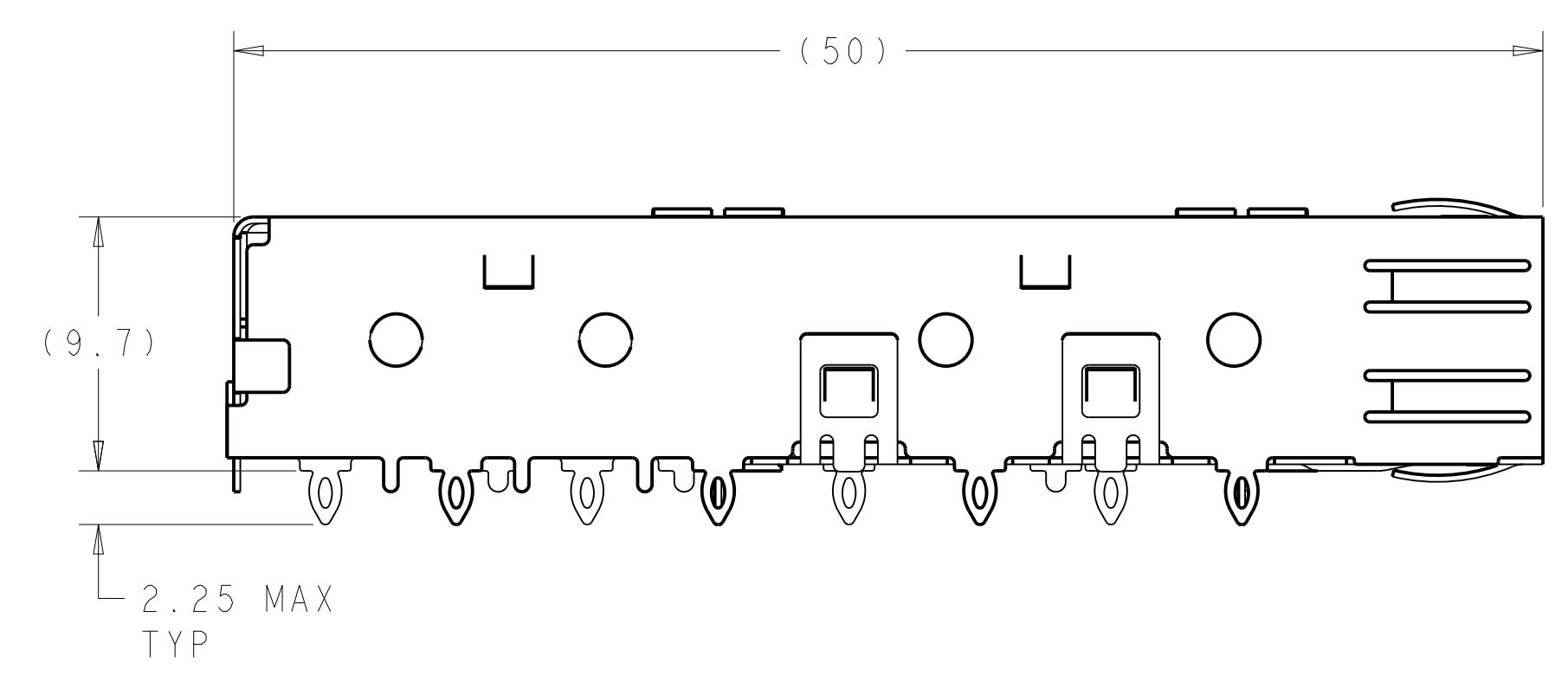
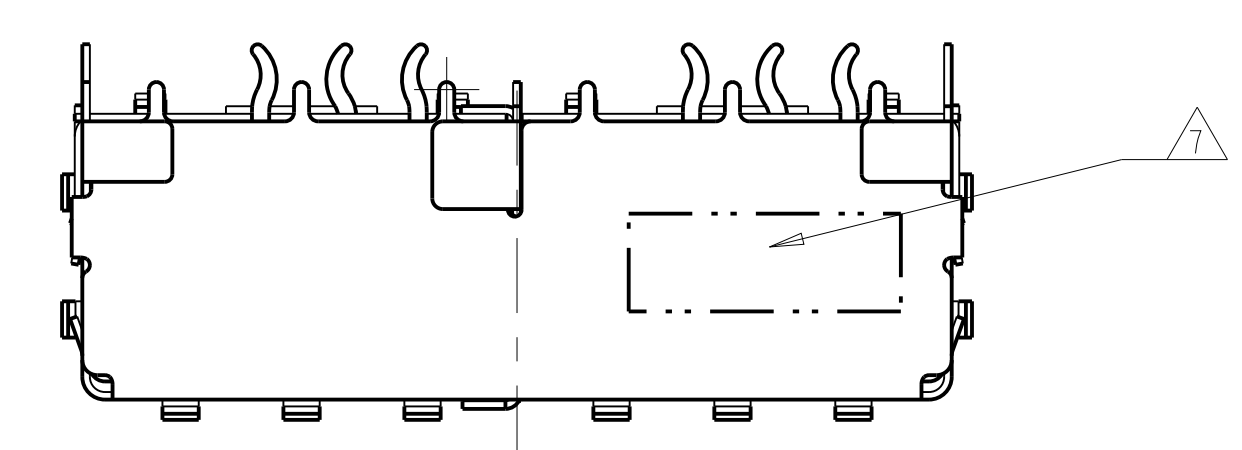


LOC	DIST	REVISIONS			
		REV	DATE	BY	CHKD
GP	00	D1	10MAY2011	RK	HMR
		E	20FEB2014	JW	SH
		E1	11JUL2014	JW	SH

- 1 MATERIAL: COPPER ALLOY.
- 2 FINISH: TIN PLATING PER ASTM B 545, 1.25µm MINIMUM THICKNESS ALL OVER NICKEL FLASH PER QQ-N-290. NONPLATED EDGES PERMISSIBLE.
- 3 PADS AND VIAS CHASSIS GROUND.
- 4 DATUM AND BASIC DIMENSIONS ESTABLISHED BY CUSTOMER.
- 5 REFERENCE APPLICATION SPEC 114-13120, HOLE A, FOR RECOMMENDED DRILL HOLE DIAMETER AND PLATING THICKNESSES.
- 6 COMPANY LOGO IN APPROXIMATE AREA SHOWN
- 7 DATE CODE AND PART NUMBER IN APPROXIMATE AREA SHOWN.
- 8 MATERIAL: NICKEL SILVER ALLOY (NO PLATING)



1761014-1&-3
1X2 CAGE ASSEMBLY
SCALE 4:1



NO	8	1 x 2 CAGE	1761014-3
2	1	1 x 2 CAGE	1761014-1
FINISH	MATERIAL	DESCRIPTION	PART NO

THIS DRAWING IS A CONTROLLED DOCUMENT.

DIMENSIONS:	TOLERANCES UNLESS OTHERWISE SPECIFIED:	OWN: J. VAN SCOY	DATE: 15MAR2004
mm	0 PLC ±	CHK: MJ PHILLIPS	DATE: 15MAR2004
	1 PLC ±0.10	APVD: MJ PHILLIPS	DATE: 15MAR2004
	2 PLC ±	PRODUCT SPEC	108-1950
	3 PLC ±	APPLICATION SPEC	114-13120
	4 PLC ±	WEIGHT	
	ANGLES ±	SCALE	4:1
MATERIAL	FINISH	SIZE	CAGE CODE
		A100779	C=1761014
CUSTOMER DRAWING		RESTRICTED TO	

TE Connectivity
ASSEMBLY, CAGE, 1X2 PRESS FIT, SFP

SCALE 4:1 SHEET 1 OF 2 REV E1

单击下面可查看定价，库存，交付和生命周期等信息

[>>TE Connectivity\(泰科\)](#)