

THIS DRAWING IS UNPUBLISHED.  
 DIFFUSION RESTREINTE AMP  
 (C) COPYRIGHT 2008 BY TYCO ELECTRONICS CORPORATION. ALL RIGHTS RESERVED.  
 TOUS DROITS RESERVES

RELEASED FOR PUBLICATION  
 LIBRE A LA DIFFUSION  
 2008

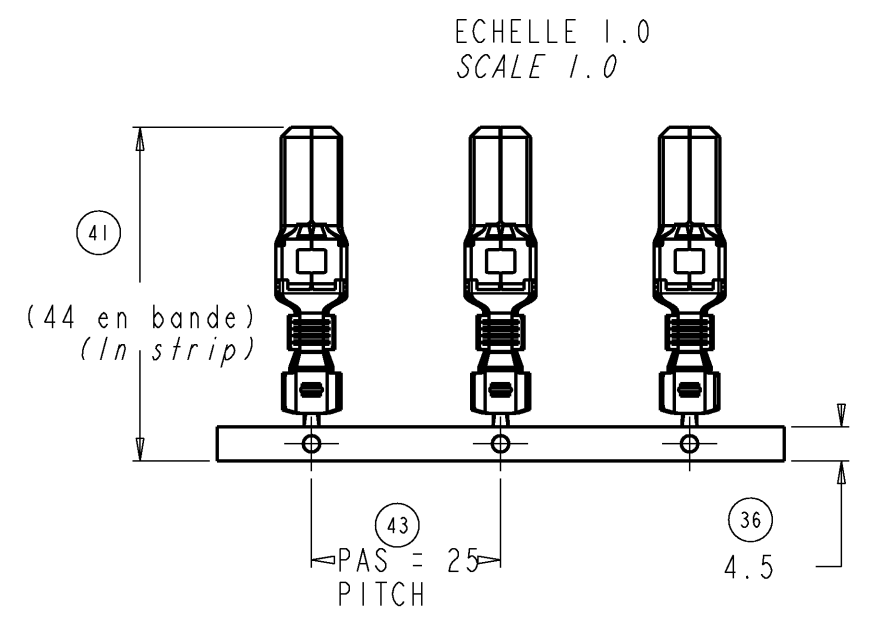
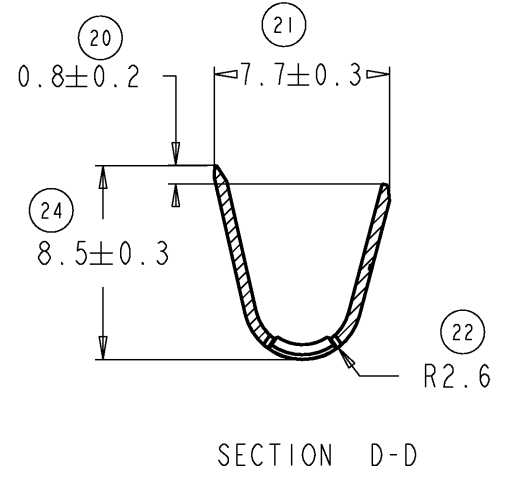
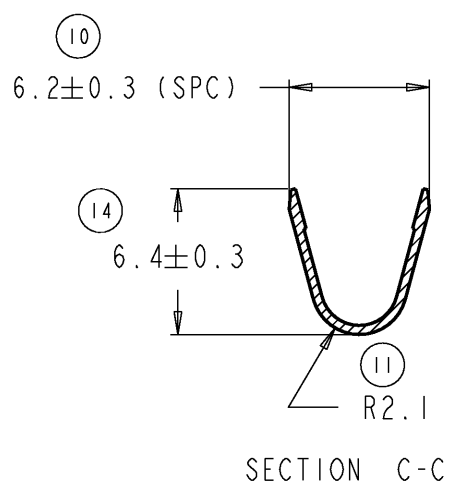
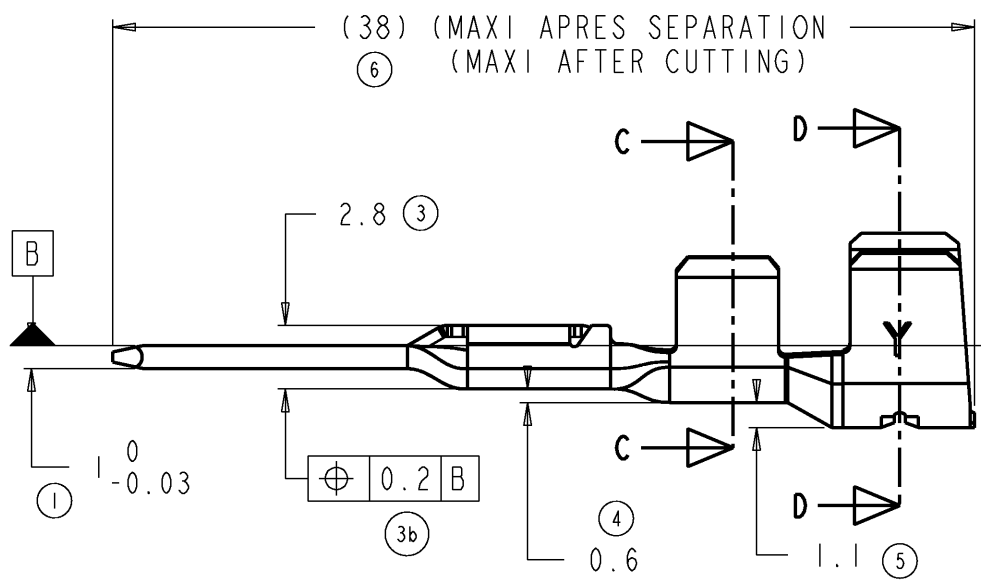
LOC F  
 DIST 00

REVISIONS

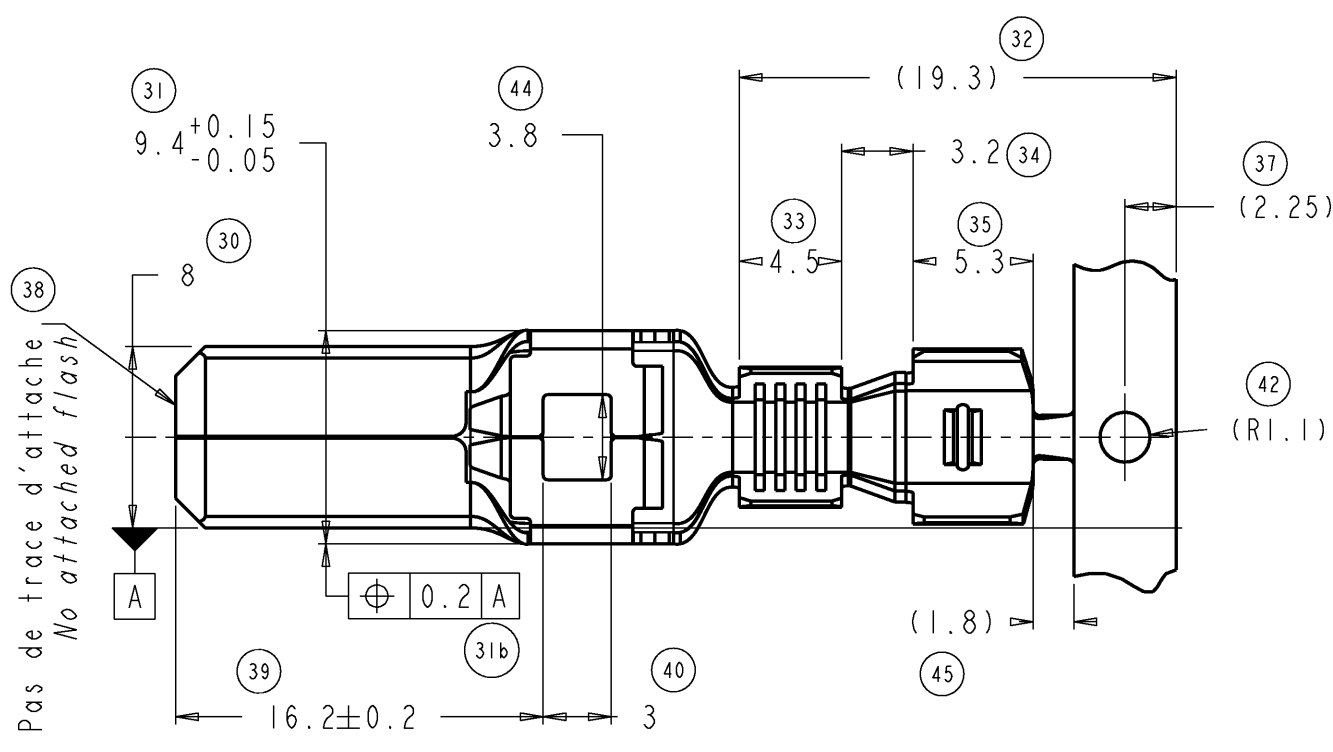
P	LTR REV	DESCRIPTION MODIFICATIONS	DATE	DWN DESS.	APVD APP.
C		PACKAGING MODIFICATION, SET UP TRANSITION	31MAR2008	PFs	JDr
-		BETWEEN TAB AND CAGE, TYCO TITLE BLOCK,			
-		ADD NEW PN, CRIMPING SPEC REPLACED BY No			

Y = IDENTIFICATION MATIERE VOIR TABLEAU  
 MATERIAL IDENTIFICATION SEE TABLE

ECHELLE 2.0  
 SCALE 2.0



( ) = COTE DONNEE A TITRE INDICATIF  
 ( ) = DIMENSION ONLY FOR INFORMATION



JOINT UNIFILAIRE ASSOCIE - ASSOCIATE WIRE SEAL		
DESIGNATION DEFINITION	PN TE TE PN	PN CLIENT CUSTOMER PN
JOINT UNIFILAIRE A SERTIR 3 A 6 mm <sup>2</sup> DIAMETRE FIL 3.5 A 4.5 mm SINGLE SEAL 3 TO 6 mm <sup>2</sup> WIRE DIAMETER FROM 3.5 TO 4.5mm	1544316-1	

PN CLIENT CUSTOMER PN	PN TE TE PN	Y : MATIERE Y : MATERIAL	MATIERE MATERIAL	PROTECTION FINISH
	1544332-1	SANS WITHOUT	LAITON / BRASS SPEC SM 125	Sn : 0.8 A 1.2µ SPEC 112-16-4
	1544332-2	R	BRONZE / BRONZE SPEC 100-221	Sn : 1 A 2µ SPEC 112-20-4

**CONDITIONNEMENT - PACKAGING**

- CONDITIONNEMENT SELON SPECIFICATIONS: 107-15603
- NOMBRE DE PIECES PAR GALETTE = 1100.
- NOMBRE DE GALLETES PAR CARTON = 2
- PACKAGING ACCORDING TO SPECIFICATIONS No: 107-15603
- NUMBER PARTS BY WHEEL = 1100.
- NUMBER OF WHEELS BY BOX = 2

THIS DRAWING IS A CONTROLLED DOCUMENT FOR TYCO ELECTRONICS CORPORATION  
 IT IS SUBJECT TO CHANGE AND THE CONTROLLING ENGINEERING ORGANIZATION  
 SHOULD BE CONTACTED FOR THE LATEST REVISION.  
 CE PLAN EST UN DOCUMENT CONTROLE PAR AMP INCORPORATED.  
 IL EST SUSCEPTIBLE D'ETRE REVISE. CONTACTER LE SERVICE  
 TECHNIQUE D'AMP DE FRANCE POUR OBTENIR LA DERNIERE REVISION.

DIMENSIONS: mm	TOLERANCES UNLESS OTHERWISE SPECIFIED: TOLERANCES NON SPECIFIEES (SUIV NR DE DECIMALES):
	PLC / DEC ±
	PLC / DEC ±
	PLC / DEC ±0.1
	PLC / DEC ±
	PLC / DEC ±
	ANGLES ±2°
MATERIAL MATIERE	FINISH FINITION
SEE TABLE	SEE TABLE

DWN / DESSINE P. FLORES	31MAR08	Tyco Electronics France SAS RN 90, 38530 Chapareillan
CHK / VERIFIE L. CORONELLI	31MAR08	
APVD / APPROUVE J. DAHER	31MAR08	NAME TITRE
PRODUCT SPEC SPEC. PRODUIT 108-15346		LANGUETTE 8NG1 - GAMME 3 A 6 mm <sup>2</sup> 8NG1 TAB - RANGE 3 TO 6mm <sup>2</sup>
APPLICATION SPEC SPEC. APPLICATION 114-15112		SIZE FORMAT
WEIGHT MASSE APPROX. 0.003kg		CAGE CODE 00779
CUSTOMER DRAWING	/PLAN CLIENT	DRAWING NO No PLAN C=1544332
	UNIQUEMENT POUR REFERENCE	RESTRICTED TO RESERVE A
	SCALE ECHELLE 3	SHEET FEUILLE 1
	OF DE 1	REV C

单击下面可查看定价，库存，交付和生命周期等信息

[>>TE Connectivity\(泰科\)](#)