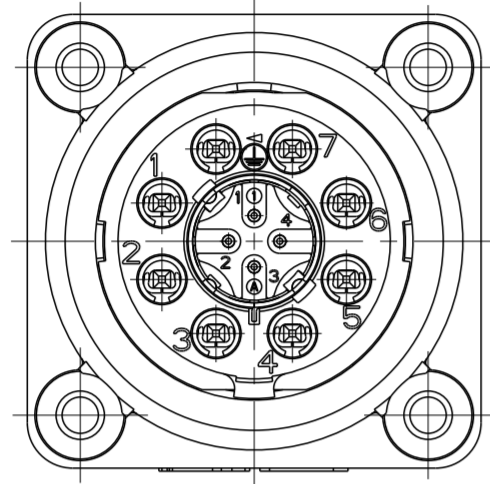
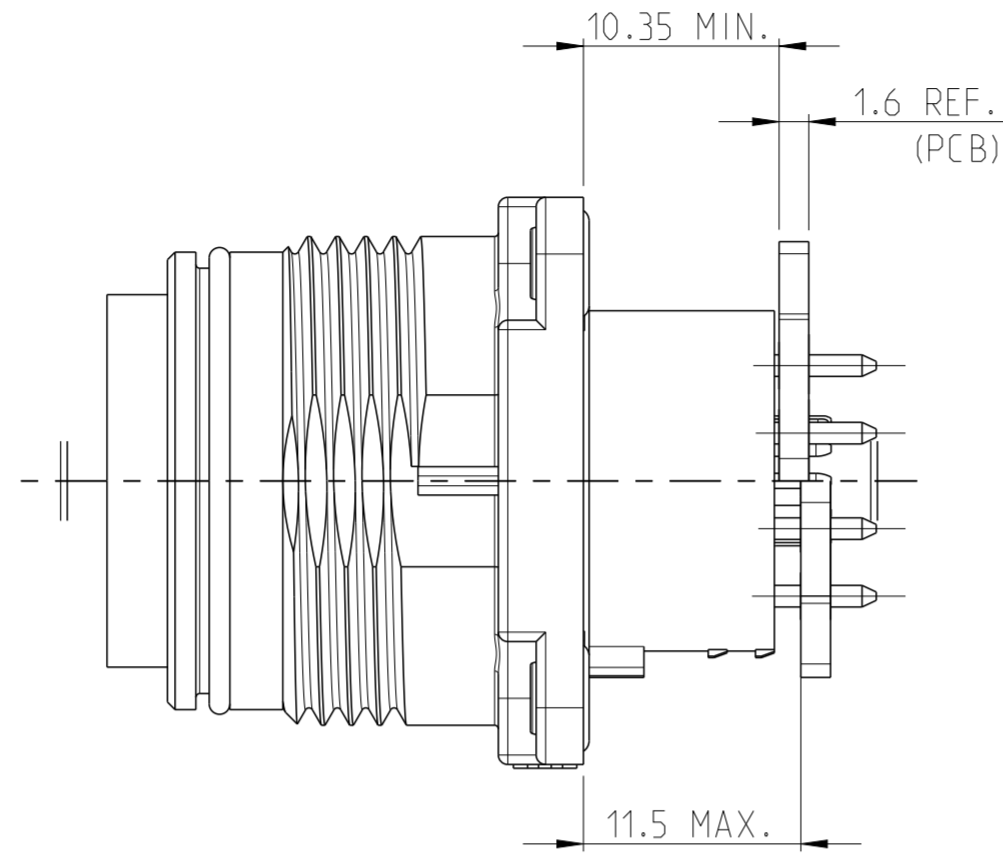


LOC	DIST	REVISIONS					
A1	-	P	LTR	DESCRIPTION	DATE	DWN	APVD
		PROJEKT NR.:	A7	ECR-11-017650		31AUG2011	SHE
	A8	ECR-11-019448		21SEP2011	GW	OH	
	B1	ECR-15-014241		27OCT2015	RK	JB	
	B2	REV. PER ECR-16-000458		12JAN2016	ER	DO	

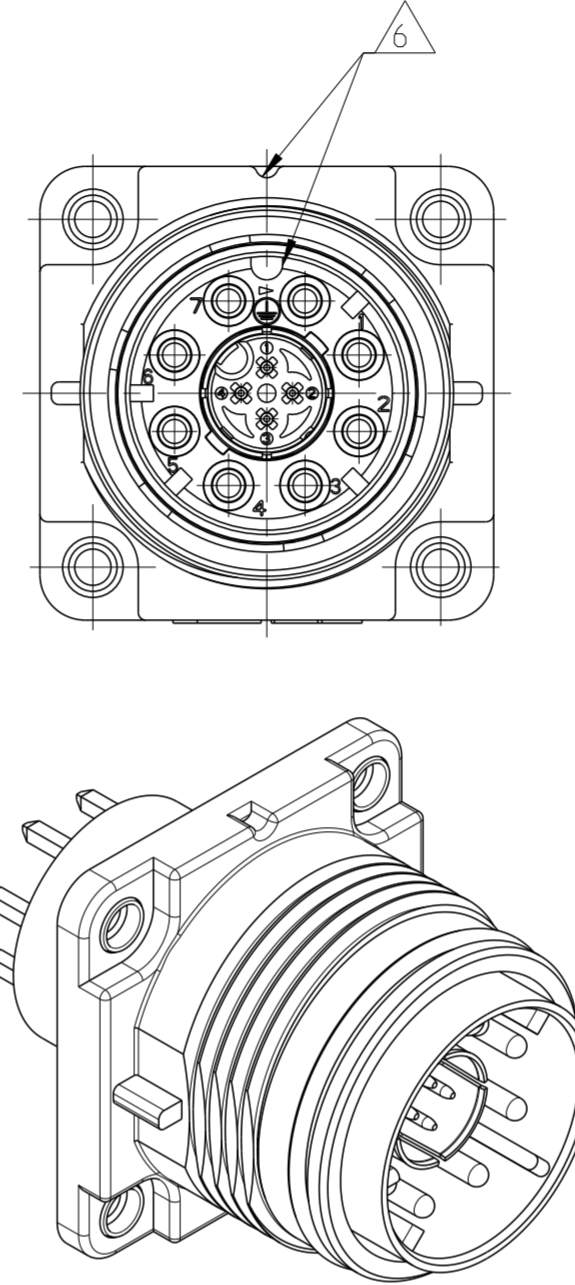
VIEW FROM BOTTOM



DISTANCE FROM PANEL TO PCB

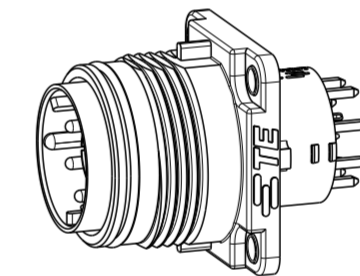
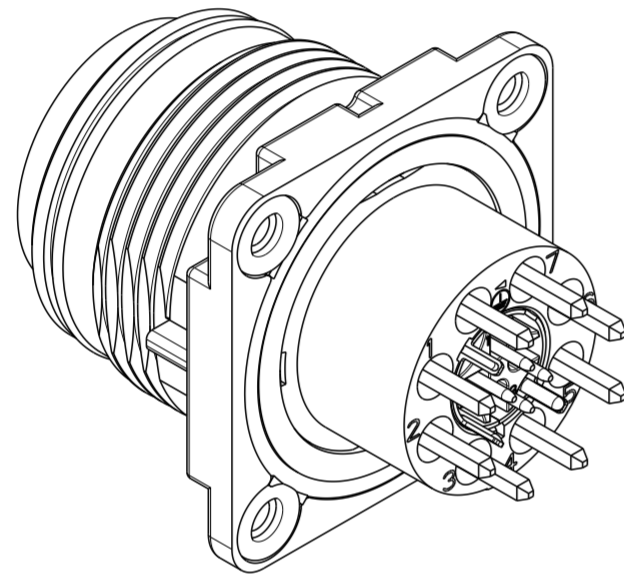


VIEW FROM TOP



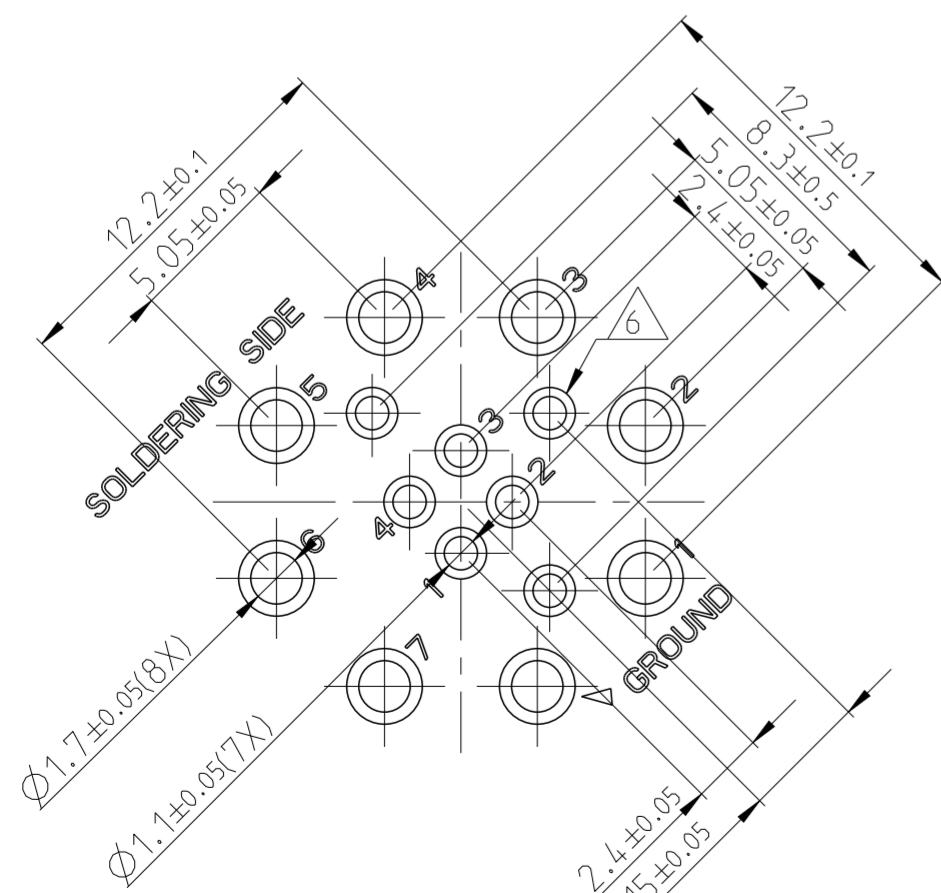
Notes

- 1 SIGNAL:  
SUITABLE CRIMP CONTACTS: SERIES 22 DF  
CUSTOMER DRAWING: 1658686
- 2 POWER:  
SUITABLE CRIMP CONTACTS: SERIES TYPE III+  
CUSTOMER DRAWING: 163087
- 3 SUITABLE HYBRID CABLE: SERIES HC26  
CUSTOMER DRAWING: 1103536
- 4 SUITABLE HOUSINGS: SERIES HC26  
CUSTOMER DRAWING: 1103437, 1103440
- 5 STANDARDS:  
DIN EN 61984, DIN EN 60664-1
- △ 6 ORIENTATION CONTOURS
- 7 AUTHORIZATION; PENDING
- △ 8 PACKAGING:  
40 SETS IN A KIT, PRE-MOUNTED (ITEM 1  
TO 3 ASSEMBLED AS ONE UNIT AND STICKED  
INTO ITEM 4 WITHOUT FIXING FUNCTION)

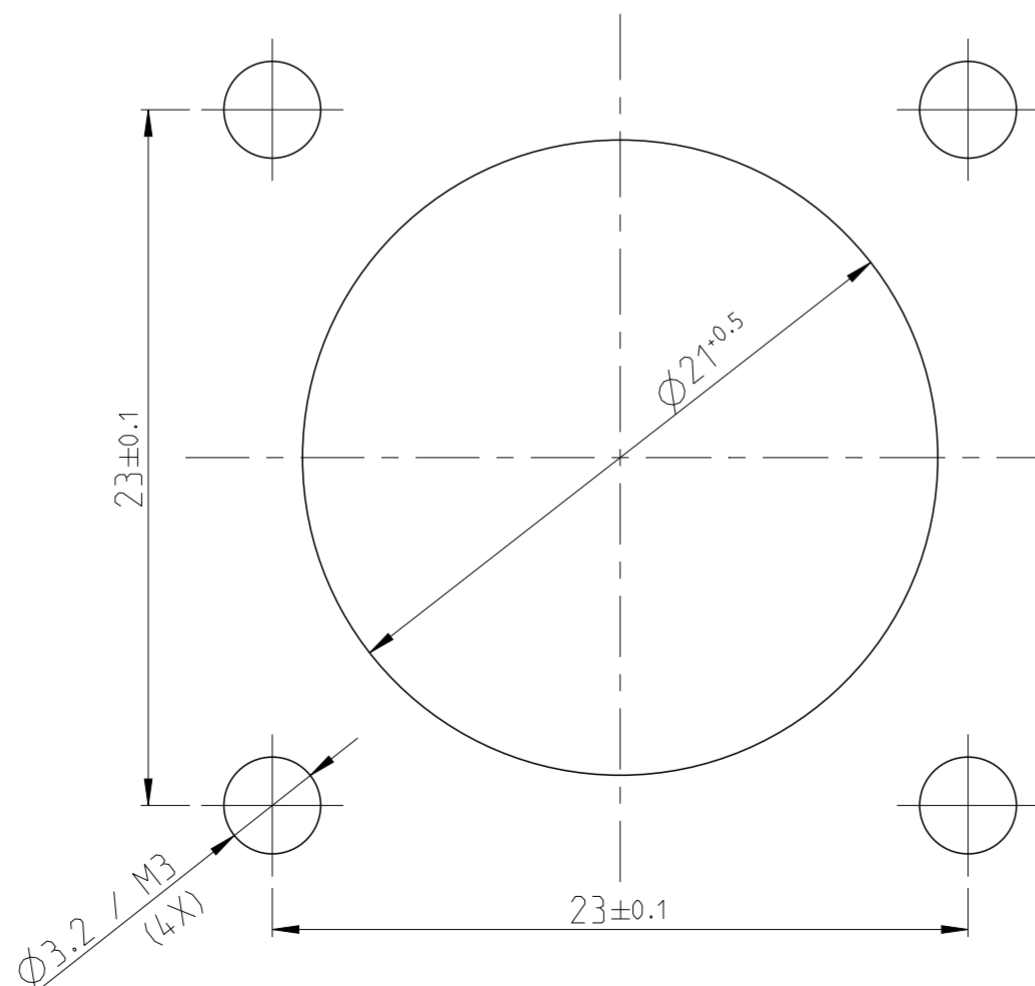


△ AS-DELIVERED CONDITION

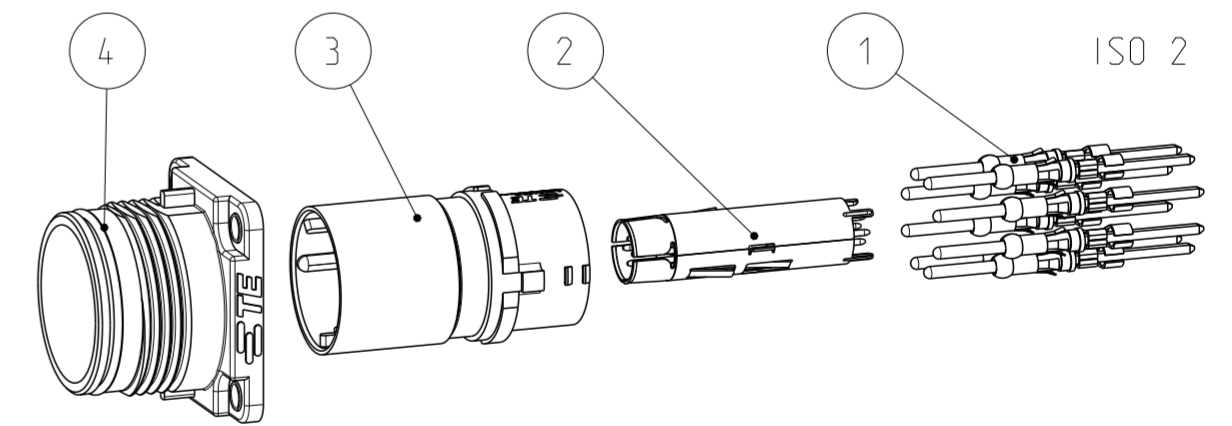
PCB LAYOUT



PANEL CUTOUT



PN 0-1 AS SHOWN



QTY	PART-NO	DESCRIPTION	NOTE	ITEM
1	0-1103436-2	BULKHEAD HOUSING ASS'Y	SERIES HC26, DESIGN METAL	4
1	0-1103428-3	MALE INSERT ASS'Y	SERIES HC26, 8-POS., TYPE III+, PCB	3
1	0-1103430-3	MALE INSERT ASS'Y	SERIES HC26, 4-POS., PCB	2
8	1-66471-8	PIN CONTACT ASS'Y	CRIMPED, .062 DIA, .045x.045 POST	1

PARTS LIST (PER ONE UNIT)

TOLERANCING ISO 8015  
TOLERIERUNG ISO 8015

THIS DRAWING IS A CONTROLLED DOCUMENT.  
 DIESES ZEICHNUNGSDOKUMENT WIRD DURCH AMP INCORPORATED KONTROLLIERT.  
 ÄNDERUNGEN, DIE DEM TECHNISCHEN FORTSCHRITT DIENEN, SIND VORBEHALTEN.  
 DEN JEWEILS LETZTIGELTEN ÄNDERUNGSSTAND ERFAHREN SIE AUF ANFRAGE.

DIMENSIONS:	TOLERANCES UNLESS OTHERWISE SPECIFIED:
MASS EINHEITEN:	ALLGEMEINTOLERANZEN
(MM)	
0 PLC ±	
1 PLC ±	
2 PLC ±	
3 PLC ±	
4 PLC ±	
ANGLES/WINKEL	±0
FINISH/OBERFLÄCHE/FARBE	

DWN	08MAR2010
CHK	09MAR2010
APVD	09MAR2010
PRODUCT SPEC	108-94485
APPLICATION SPEC	114-94369
WEIGHT	34g
Customer Drawing	

**STE** TE Connectivity

NAME: BULKHEAD HOUSING WITH SOLDER UNIT  
 SERIES HC26, 8+4-POS., DESIGN METAL  
 CIRCULAR HYBRID CONNECTOR

SIZE: A2 CAGE CODE: 00779 DRAWING NO: C-1108846  
 ZEICHNUNGS-NR.: C-1108846

RESTRICTED TO NUR FUER -

SCALE: MASSSTAB 2:1 SHEET: BLATT 1 OF: VON 1 REV: B2

单击下面可查看定价，库存，交付和生命周期等信息

[>>TE Connectivity\(泰科\)](#)