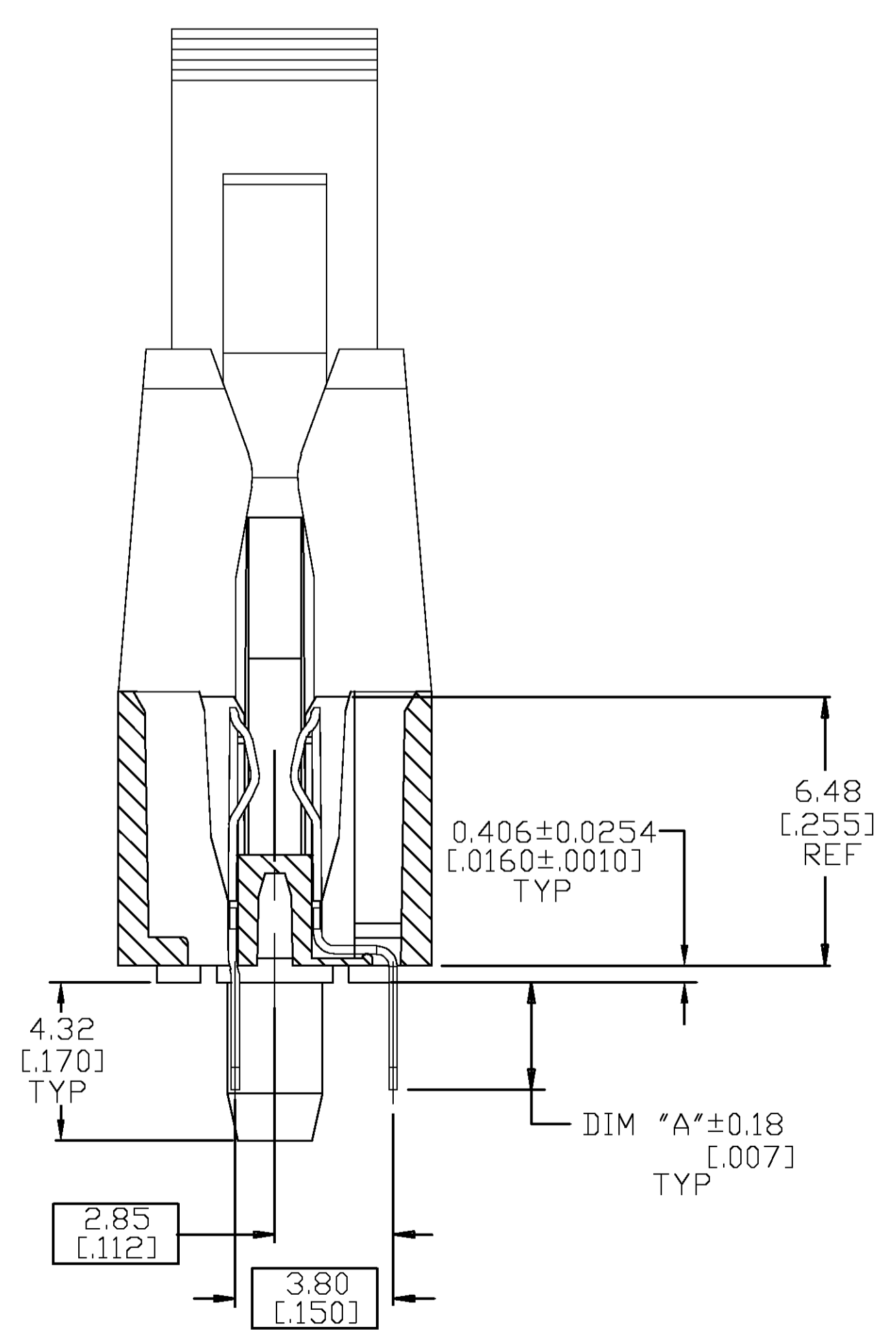
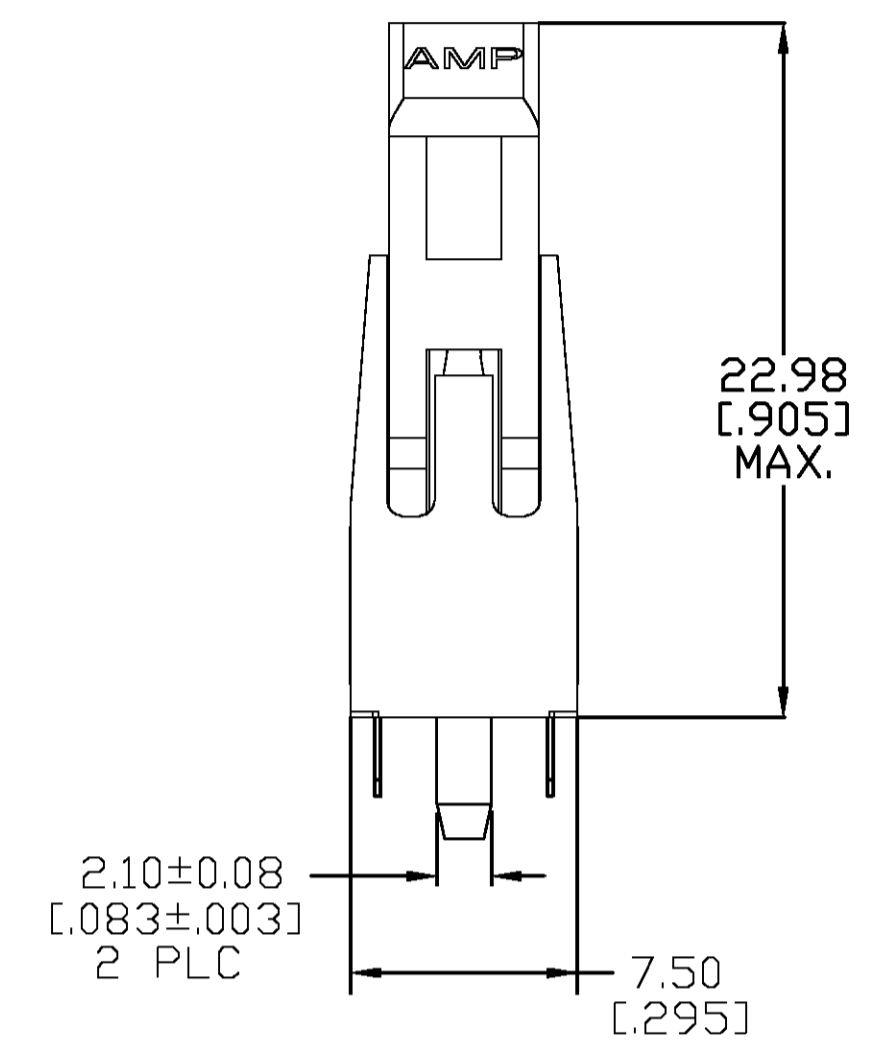
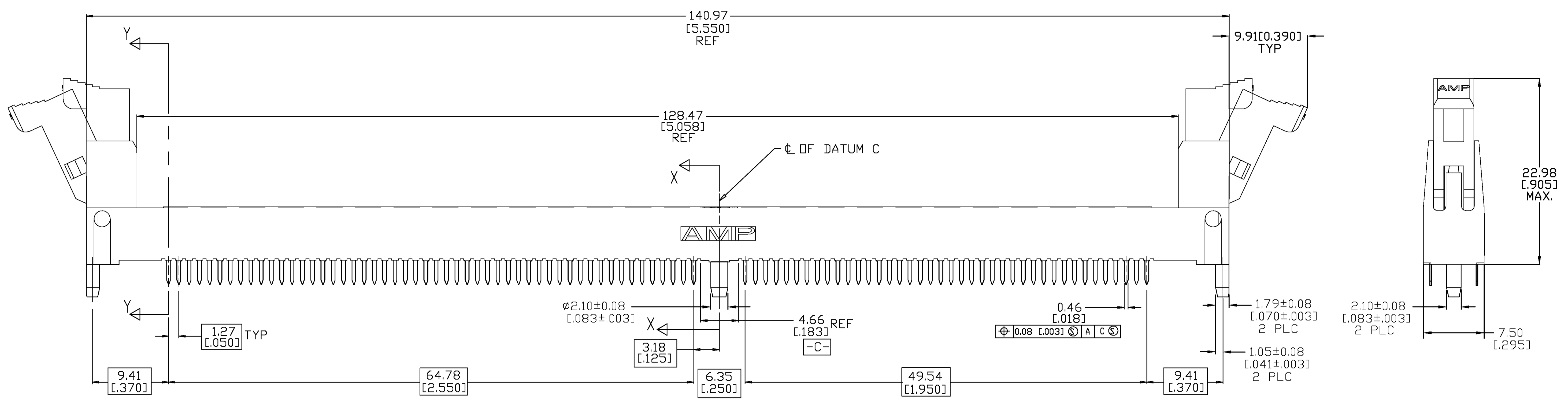
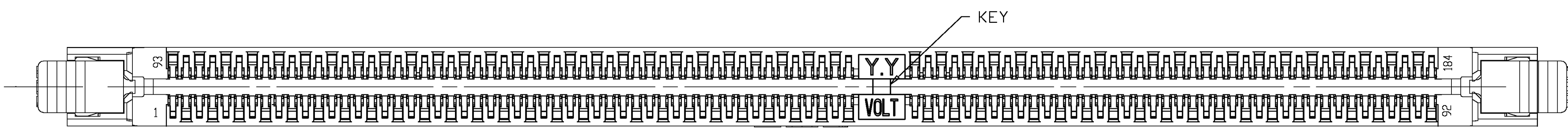
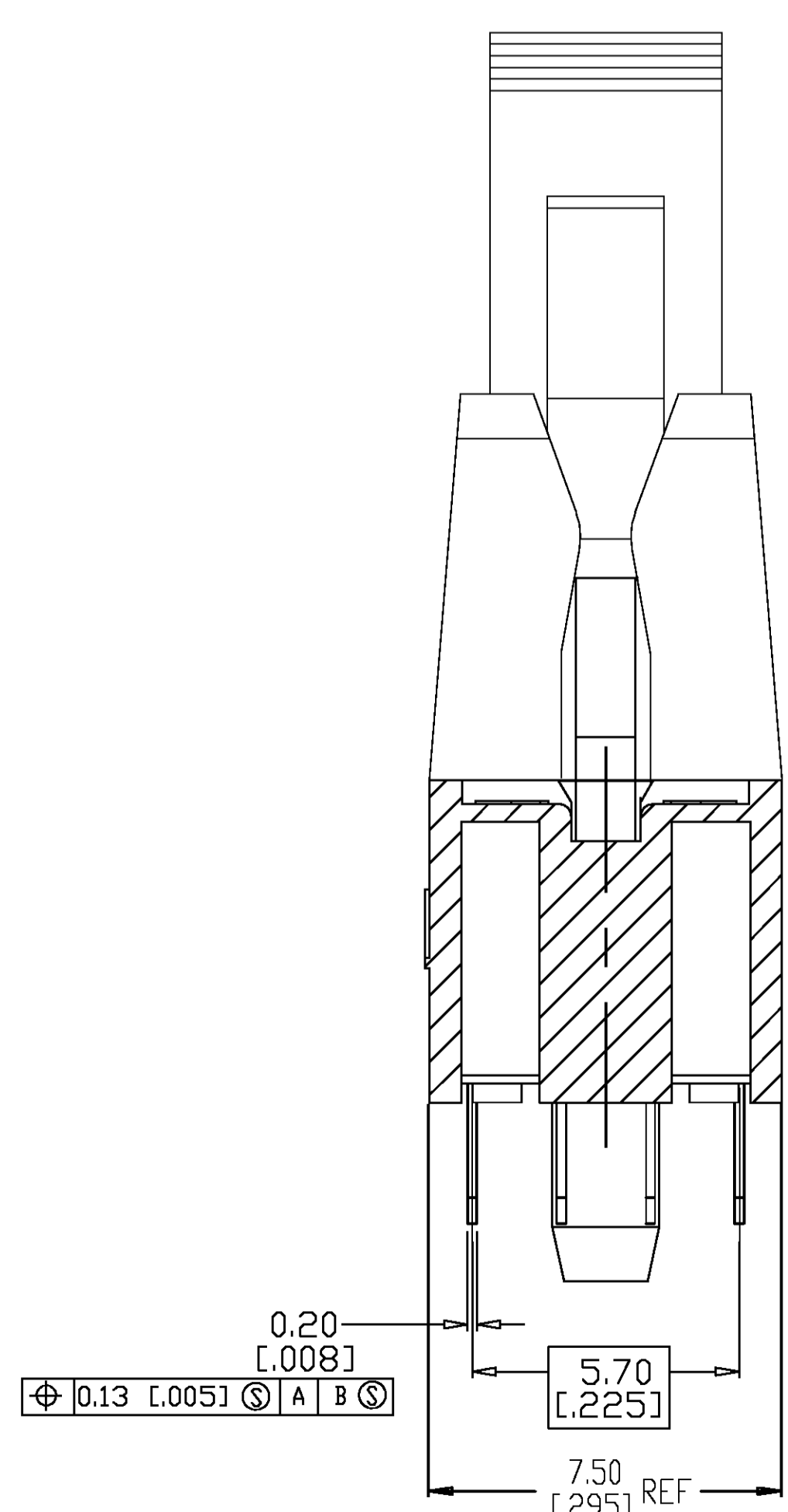


LOC		DIST		REVISIONS			
F	LTR	DESCRIPTION	DATE	DNW	APVD		
A		RELEASED PER EC 0512-0488-04	9DEC04	SW	MY		



SECTION Y-Y
 CIRCUITS 1 AND 51
 SCALE 8:1



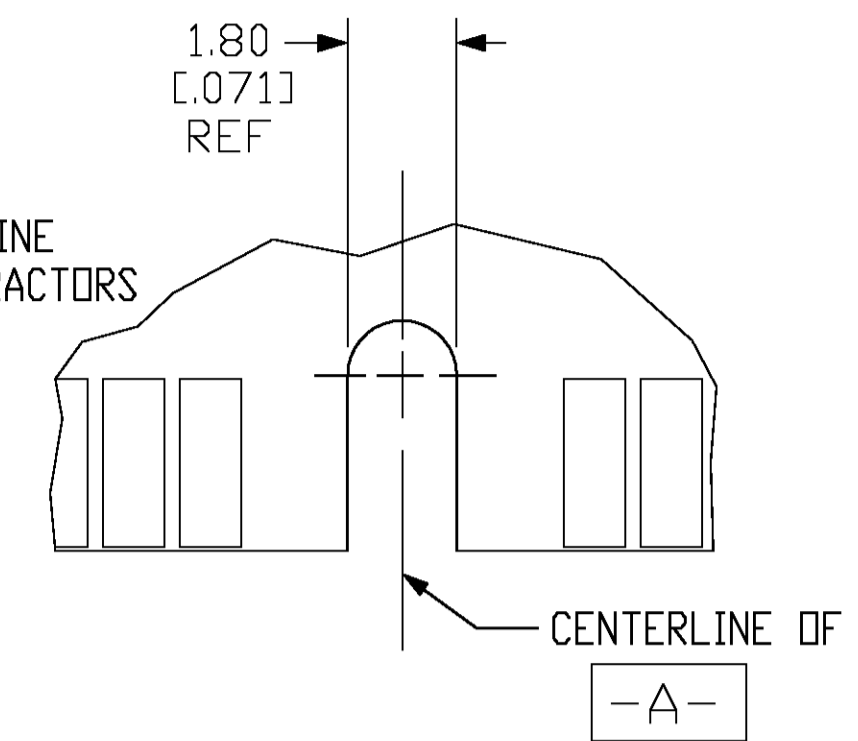
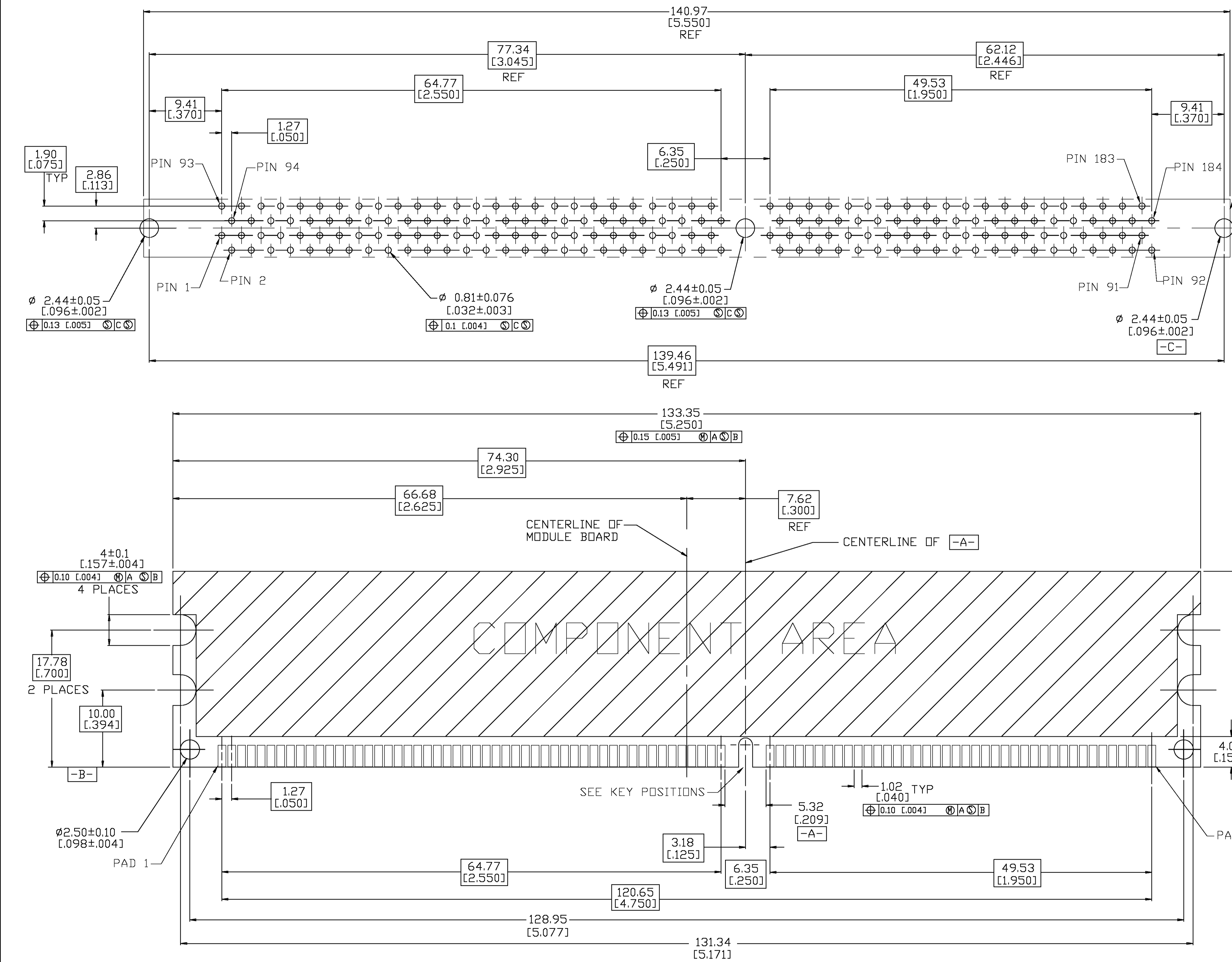
SECTION X-X
 SCALE 8:1

MATERIAL
 HOUSING AND EXTRACTORS: GLASS FILLED HIGH TEMPERATURE NYLON.
 CONTACT: PHOS. BRONZE, C51100, TEMPER H06.

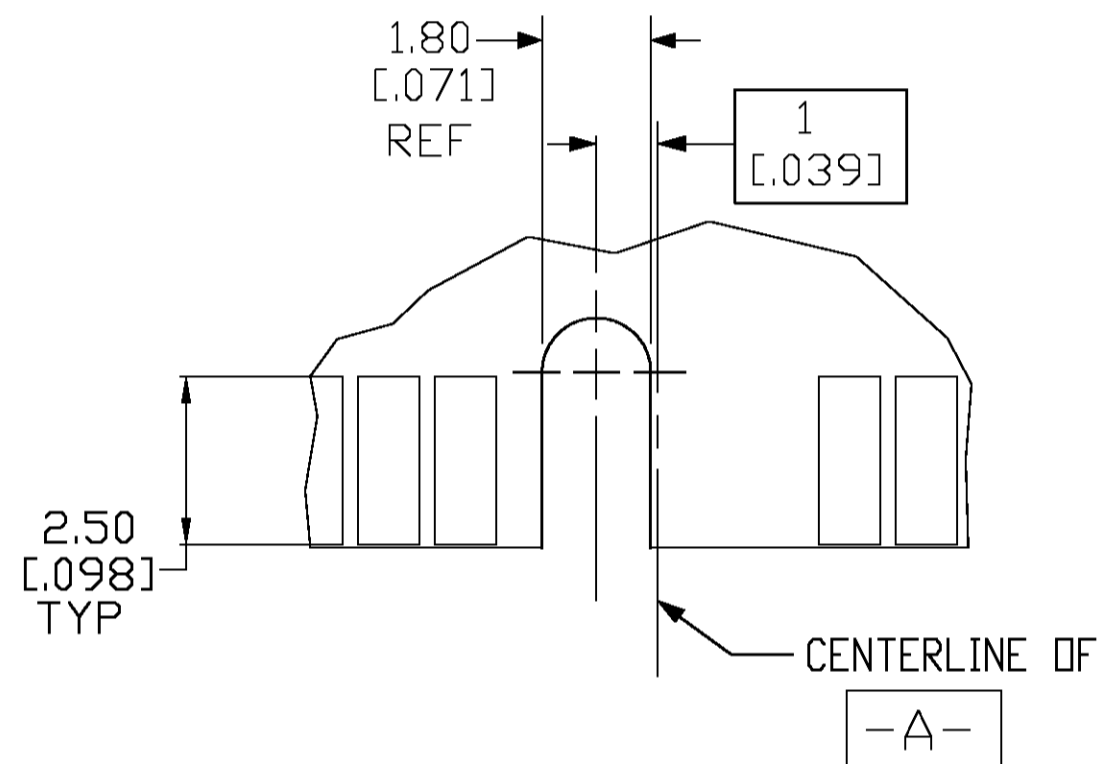
FINISH
 CONTACT:
 NICKEL PLATE ALL OVER 0.00127-0.0019 [0.000050-.000075] THICK
 PER AMP SPEC 112-25-2.
 GOLD PLATE IN INTERFACE AREA 0.00038 [0.000015] MIN THICK
 PER AMP SPEC 112-162-5.
 MATTE TIN PLATE IN SOLDER TAIL AREA .00381-.00635 [0.000150-.000250] THICK
 PER AMP SPEC 112-65-1.

3.30 [0.130]	DETAIL B	184 POSN. DIMM2P, 2.5V, PRE-PLATED CONTACTS	5390432-4
SOLDERTAIL LENGTH DIM "A"	KEY POSITION	DESCRIPTION	PART NUMBER
THIS DRAWING IS A CONTROLLED DOCUMENT.		DIM S.WAITMAN 9DEC04 CHK M.YEOMANS 9DEC04 APVD M.YEOMANS 9DEC04 PRODUCT SPEC 108-1753 APPLICATION SPEC 114-1115 WEIGHT - CUSTOMER DRAWING	
DIMENSIONS: mm [INCHES] 0 PLC ± - 1 PLC ± - 2 PLC ± 0.13 [0.005] 3 PLC ± - 4 PLC ± - ANGLES ± -		Tyco Electronics Corporation Harrisburg, Pa 17105-3608 SOCKET ASSEMBLY, DIMM2P LOW INSERTION FORCE, 184 POSITION LEAD-FREE SIZE CAGE CODE DRAWING NO RESTRICTED TO A1 00779 C=5390432 - SCALE 1:1 SHEET 1 OF 2 REV A	

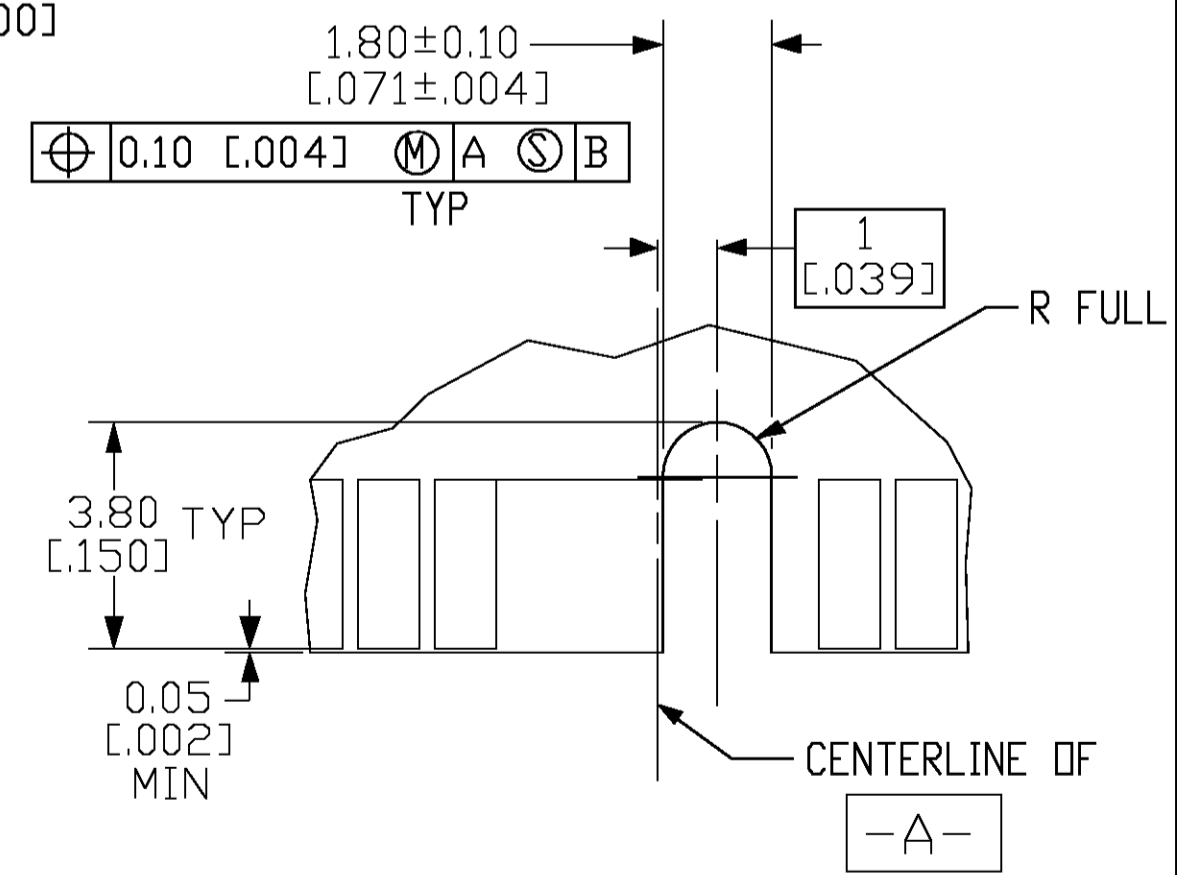
LOC		DIST		REVISIONS			
GP	0	P	LTR	DESCRIPTION	DATE	BY	APPR
				SEE SHEET 1			



DETAIL A
SCALE 8:1



DETAIL B
SCALE 8:1



DETAIL C
SCALE 8:1

KEY POSITIONS

RECOMMENDED MODULE LAYOUT
 SEE JEDEC SPEC MO-206 FOR COMPLETE MODULE DETAILS
 1.27±0.10 [0.050±0.004] THICK ACROSS CONTACT PADS

THIS DRAWING IS A CONTROLLED DOCUMENT.		DRN S. WAITMAN 9DEC04	9DEC04	Tyco Electronics Corporation Harrisburg, Pa 17105-3608
DIMENSIONS: mm [INCHES]		CHK M. YEOMANS 9DEC04	9DEC04	
TOLERANCES UNLESS OTHERWISE SPECIFIED:		APPR M. YEOMANS 9DEC04	9DEC04	NAME SOCKET ASSEMBLY, DIMM2P 108-175.3 LOW INSERTION FORCE, 184 POSITION LEAD-FREE
0 PLG ± -		PRODUCT SPEC	108-175.3	
1 PLG ± ± 0.13 [0.005]		APPLICATION SPEC	114-1115	
2 PLG ± ± -		SIZE	A1	
3 PLG ± ± -		WEIGHT	00779	DRAWING NO 5390432
4 PLG ± ± -		CUSTOMER DRAWING	SCALE 1:1	SHEET 2 OF 2
ANGLES ± ± -				REV A
FINISH				

单击下面可查看定价，库存，交付和生命周期等信息

[>>TE Connectivity\(泰科\)](#)