

4

3

2

1

THIS DRAWING IS UNPUBLISHED.

RELEASED FOR PUBLICATION

20

REVISIONS

© COPYRIGHT 20 BY -

ALL RIGHTS RESERVED.

P	LTR	DESCRIPTION	DATE	DWN	APVD
	B	ECR-15-014907	14OCT2015	DL	CW
	B1	ECR-16-015492	21NOV2016	QY	CW
	B2	ECR-19-012251	31AUG2019	WQR	CW
	C	ECR-21-108559	06AUG2021	BS	CW

TYPE-1, T2050182201-000, TE LOGO  
 类型-1, T2050182201-000, TE LOGO

NOTES:

- TECHNICAL CHARACTERISTICS:  
 INSULATION MATERIAL: PC  
 RATED VOLTAGE: 500 V  
 RATED CURRENT: 16 A  
 INSULATION RESISTANCE:  $\geq 400M\Omega$   
 RATED IMPULSE VOLTAGE: 6 KV  
 POLLUTION DEGREE: 3  
 FLAMMABILITY: UL94V-0  
 MATING CYCLES: 500 CYCLES  
 WIRE RANGE: 0.14-4 mm<sup>2</sup> (26-12 AWG)  
 CONTACT TYPE: CRIMP CONTACT
- CONTACT NEED TO BE ORDERED SEPARATELY.  
 (ORDER No. T20300X20XX-000)

注释:

- 技术参数:  
 绝缘材料: PC  
 额定电压: 500V  
 额定电流: 16A  
 绝缘电阻:  $\geq 400M\Omega$   
 额定脉冲电压: 6 KV  
 污染等级: 3  
 阻燃等级: UL94V-0  
 插拔次数: 500次  
 接线范围: 0.14-4 mm<sup>2</sup> (26-12 AWG)  
 接线类型: 冷压接
- 端子需要单独订购。  
 (订货号 T20300X20XX-000)

4X M3 SCREW, RECOMMENDED  
 TIGHTENING TORQUE 0.5Nm  
 4X M3螺丝, 推荐锁紧力矩0.5Nm

M4 SCREW, RECOMMENDED  
 TIGHTENING TORQUE 1.2Nm  
 M4螺丝, 推荐锁紧力矩1.2Nm

DETAIL A

DETAIL A  
 SCALE 4:1

PANEL CUT FOR INSERTS FOR USING  
 WITHOUT HOODS/ HOUSINGS  
 不使用防护外壳时芯件的安装开孔图

THIS DRAWING IS A CONTROLLED DOCUMENT.

DIMENSIONS:	TOLERANCES UNLESS OTHERWISE SPECIFIED:
mm	
	0 PLC ±-
	1 PLC ±-
	2 PLC ±-
	3 PLC ±-
	4 PLC ±-
	ANGLES ±-
	FINISH ±-
MATERIAL	-
	-

DWN	DAVID LI	10MAR2015
CHK	CHRIS WANG	10MAR2015
APVD	XU XIANG	10MAR2015
PRODUCT SPEC	108-106137	
APPLICATION SPEC	114-106137	
WEIGHT	-	
CUSTOMER DRAWING		

TE Connectivity		NAME	
		HEE-018-F	
SIZE	CAGE CODE	DRAWING NO	RESTRICTED TO
A3	-	©-T2050182201000	
SCALE		SHEET	REV
1:1		1 OF 3	C

1470-19 (3/13)

Downloaded From [Oneyac.com](http://Oneyac.com)

THIS DRAWING IS UNPUBLISHED.

RELEASED FOR PUBLICATION

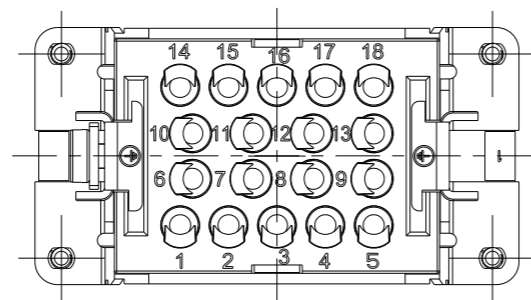
20

© COPYRIGHT 20 BY -

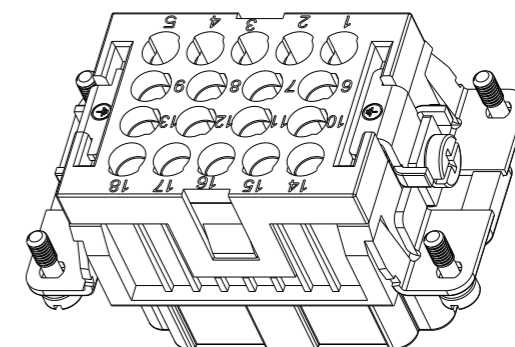
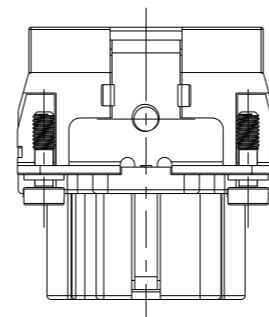
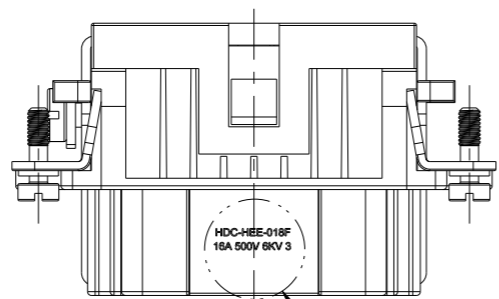
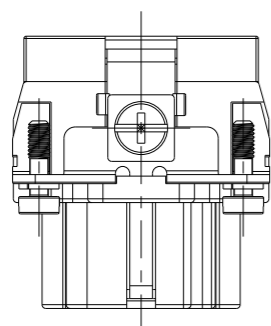
ALL RIGHTS RESERVED.

REVISIONS

P	LTR	DESCRIPTION	DATE	DWN	APVD
-	-	SEE SHEET 1	-	-	-

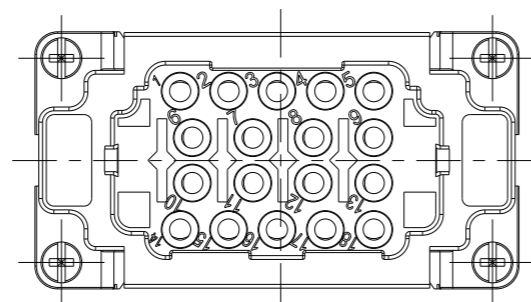


NOTE:  
SEE SHEET 1  
注释:  
见页 1



DETAIL B

TYPE-2, T2059182201-000, NO TE LOGO  
类型-2, T2059182201-000, 无TE LOGO



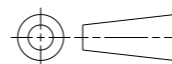
HDC-HEE-018F  
16A 500V 6KV 3

ALL SPEC DIMENSION REFER TO TYPE 1  
所有产品规格尺寸参照 TYPE 1

DETAIL B  
SCALE 4:1

THIS DRAWING IS A CONTROLLED DOCUMENT.

DIMENSIONS:  
mm



TOLERANCES UNLESS OTHERWISE SPECIFIED:  
0 PLC ±-  
1 PLC ±-  
2 PLC ±-  
3 PLC ±-  
4 PLC ±-  
ANGLES ±-  
FINISH

MATERIAL  
-

DWN DAVID LI 10MAR2015  
CHK CHRIS WANG 10MAR2015  
APVD XU XIANG 10MAR2015  
PRODUCT SPEC 108-106137  
APPLICATION SPEC 114-106137  
WEIGHT -  
CUSTOMER DRAWING



TE Connectivity

NAME HEE-018-F  
SIZE A3 CAGE CODE - DRAWING NO. T2050182201000 RESTRICTED TO  
SCALE 1:1 SHEET 2 OF 3 REV C

THIS DRAWING IS UNPUBLISHED.

RELEASED FOR PUBLICATION

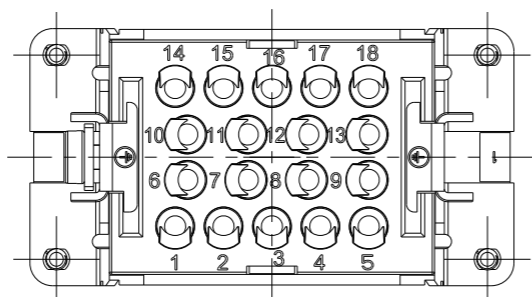
20

© COPYRIGHT 20 BY -

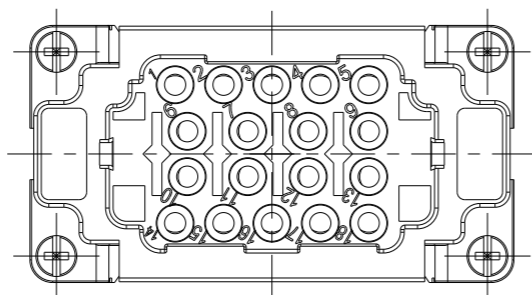
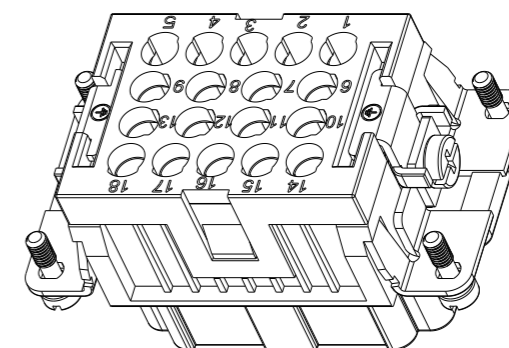
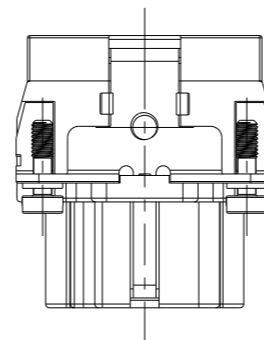
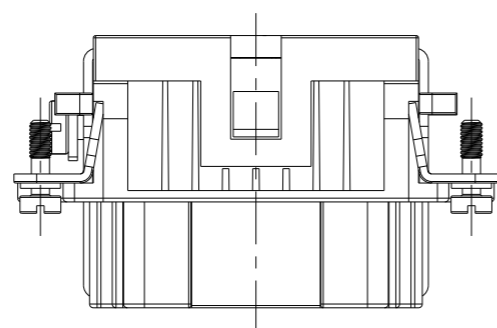
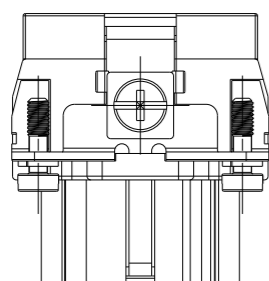
ALL RIGHTS RESERVED.

REVISIONS

P	LTR	DESCRIPTION	DATE	DWN	APVD
-	-	SEE SHEET 1	-	-	-



NOTE:  
SEE SHEET 1  
注释:  
见页 1



TYPE-3, T2050182201-001, STAINLESS STEEL SCREW, NO LOGO  
类型-3, T2050182201-001, 不锈钢螺丝, 无LOGO

ALL SPEC DIMENSION REFER TO TYPE 1  
所有产品规格尺寸参照 TYPE 1

T2050182201-001	HEE-018-F	HEE-018 FEMALE INSERT, STAINLESS STEEL SCREW, NO LOGO HEE-018 母插, 不锈钢螺丝, 无LOGO	TYPE-3 类型-3
T2059182201-000	HEE-018-F	HEE-018 FEMALE INSERT, NO TE LOGO HEE-018 母插, 无TE LOGO	TYPE-2 类型-2
T2050182201-000	HEE-018-F	HEE-018 FEMALE INSERT HEE-018 母插	TYPE-1 类型-1
PART NUMBER 料号	PART DESCRIPTION 描述		TYPE 类型

THIS DRAWING IS A CONTROLLED DOCUMENT.		DWN DAVID LI 10MAR2015		
DIMENSIONS: mm		CHK CHRIS WANG 10MAR2015		
TOLERANCES UNLESS OTHERWISE SPECIFIED:		APVD XU XIANG 10MAR2015	NAME HEE-018-F	
0 PLC ±-		PRODUCT SPEC 108-106137	SIZE	
1 PLC ±-		APPLICATION SPEC 114-106137	CAGE CODE	
2 PLC ±-		WEIGHT	DRAWING NO	
3 PLC ±-		CUSTOMER DRAWING	RESTRICTED TO	
4 PLC ±-			SCALE 1:1 SHEET 3 OF 3 REV C	
ANGLES ±-		FINISH		
MATERIAL		WEIGHT		
-		A3 - T2050182201000		
-		-		

单击下面可查看定价，库存，交付和生命周期等信息

[>>TE Connectivity\(泰科\)](#)