

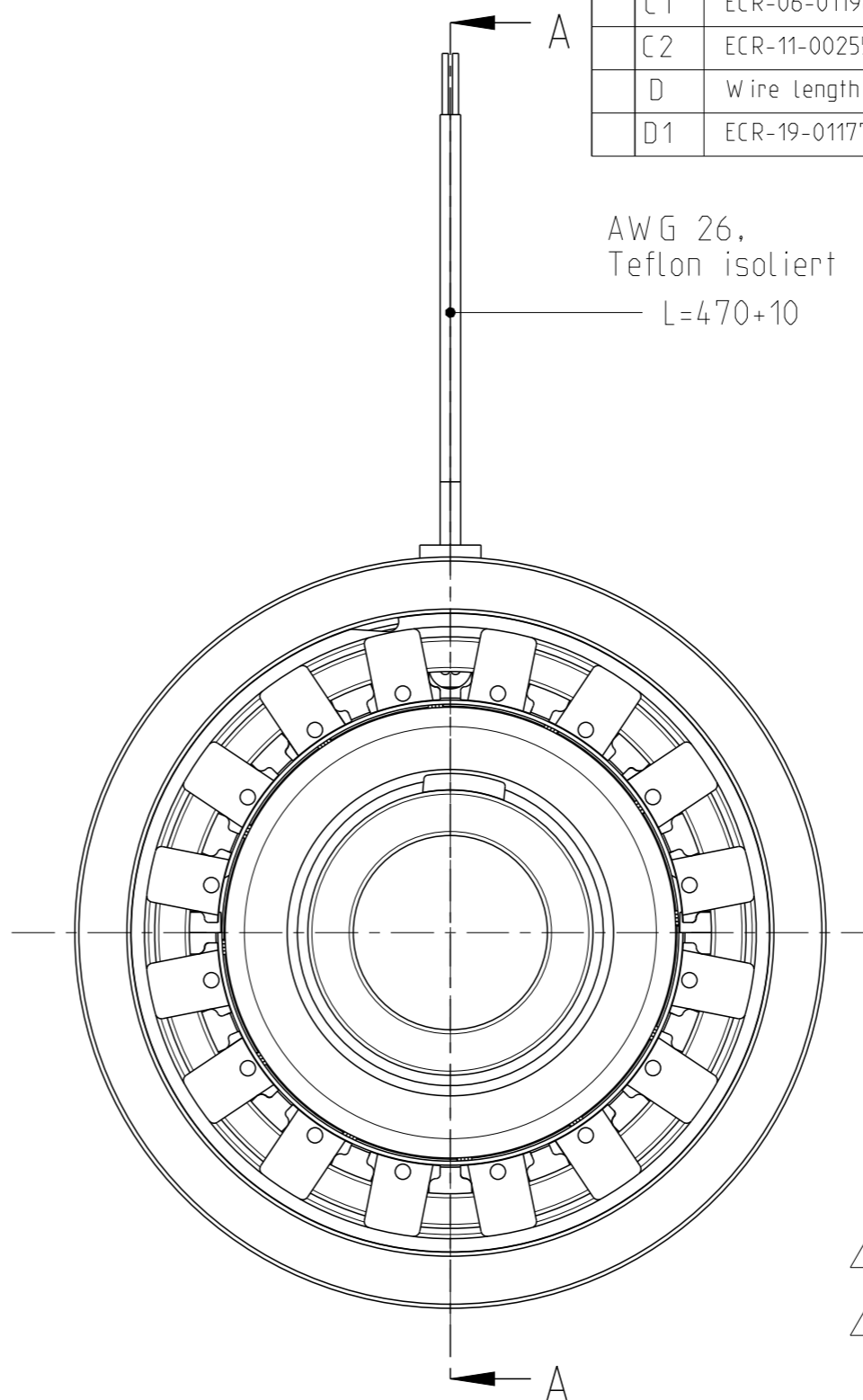
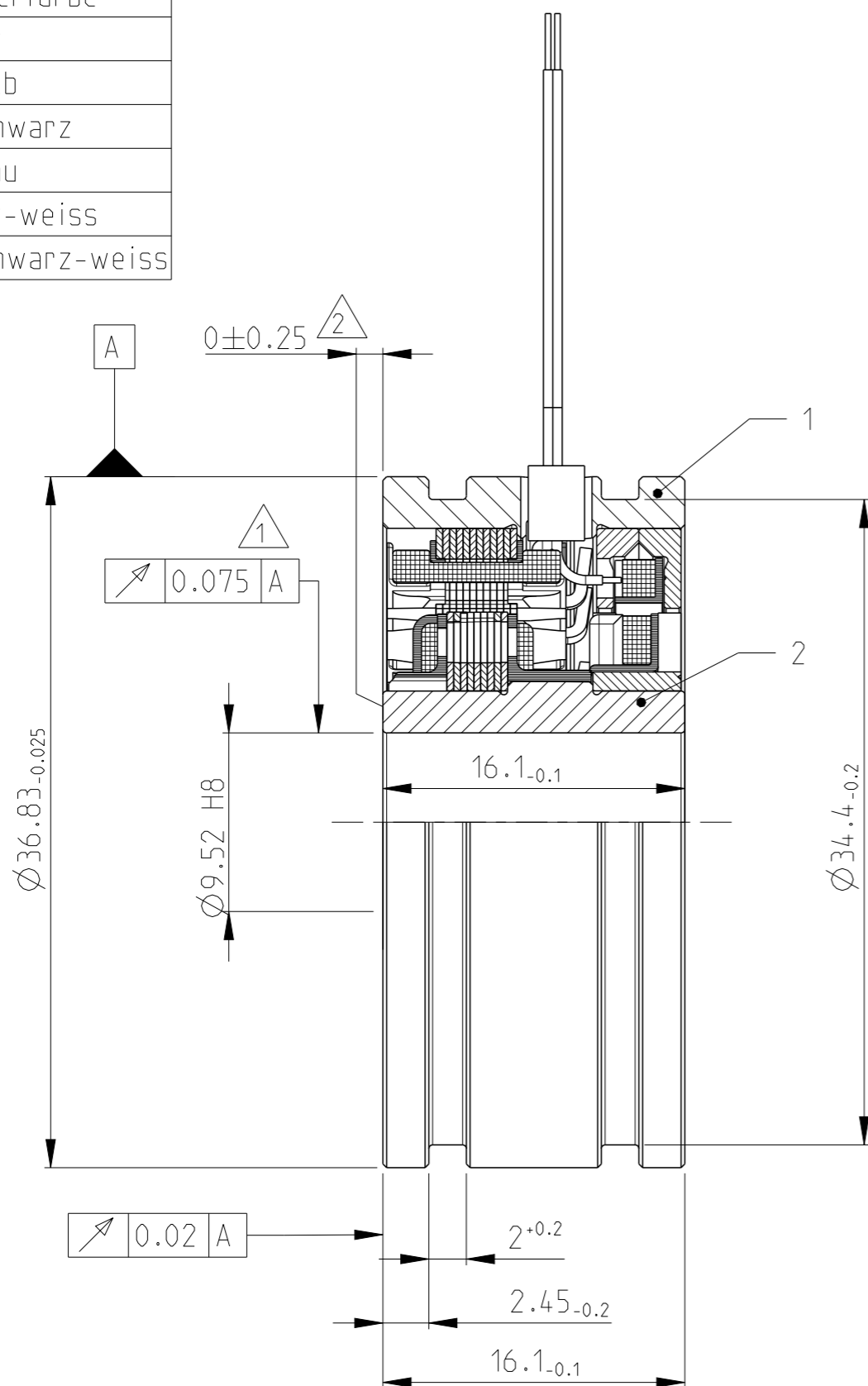
| LOC | DIST |
|-----|------|
| A1 | - |

REVISIONS

| P | LTR | DESCRIPTION | DATE | DWN | APVD |
|----|-----|--|-----------|-----|------|
| C1 | | ECR-06-011981 | 18MAY2006 | Kr | An |
| C2 | | ECR-11-002555 | 07FEB2011 | Kr | An |
| D | | Wire length correction - Restriction removed | 19DEC2014 | RK | PL |
| D1 | | ECR-19-011771 | 25JUL2019 | GK | OD |

| Signal | Aderfarbe |
|--------|---------------|
| S1 | rot |
| S2 | gelb |
| S3 | schwarz |
| S4 | blau |
| R1 | rot-weiss |
| R2 | schwarz-weiss |

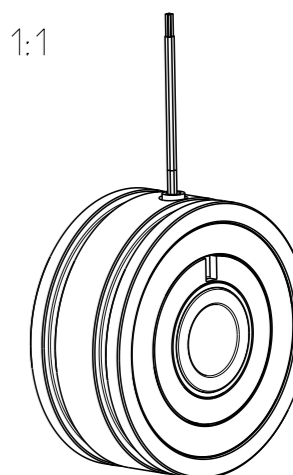
A-A



9.52 H8 $\begin{matrix} +0.022 \\ 0 \end{matrix}$

AWG 26,
Teflon isoliert
L=470+10

1:1



1 Gesamtschlag im eingebauten Zustand
2 Axialversatz

SIMILAR TO V23401-S1001-B110

| DESCRIPTION | ITEM NO |
|-------------------------------|---------|
| Rotor kpl. / Bauform B1 (12N) | 2 |
| Gehäuse kpl. / Bauform S1 | 1 |
| PARTS LIST | |

THIS DRAWING IS A CONTROLLED DOCUMENT.

DIMENSIONS:
mm



TOLERANCES UNLESS OTHERWISE SPECIFIED:

| | |
|--------|----|
| 0 PLC | ± |
| 1 PLC | ± |
| 2 PLC | ± |
| 3 PLC | ± |
| 4 PLC | ± |
| ANGLES | ±° |
| FINISH | - |

MATERIAL

DWN 24NOV2005

CHK Kraus

APVD Andrae

Hecker

PRODUCT SPEC

APPLICATION SPEC

WEIGHT

CUSTOMER DRAWING



TE Connectivity

NAME
Massbild Hohlwellendrehmelder Gr.15
Dimensional Drawing Resolver Sz.15
V23401-S1001-B110

| SIZE | CAGE CODE | DRAWING NO | RESTRICTED TO |
|------|-----------|------------|---------------|
|------|-----------|------------|---------------|

| | | | |
|----|-------|---------------|---|
| A3 | 00779 | ©=2-1393047-5 | - |
|----|-------|---------------|---|

| SCALE | SHEET | OF | REV |
|-------|-------|----|-----|
|-------|-------|----|-----|

| | | | |
|-----|---|---|----|
| 3:1 | 1 | 1 | D1 |
|-----|---|---|----|

单击下面可查看定价，库存，交付和生命周期等信息

[>>TE Connectivity\(泰科\)](#)