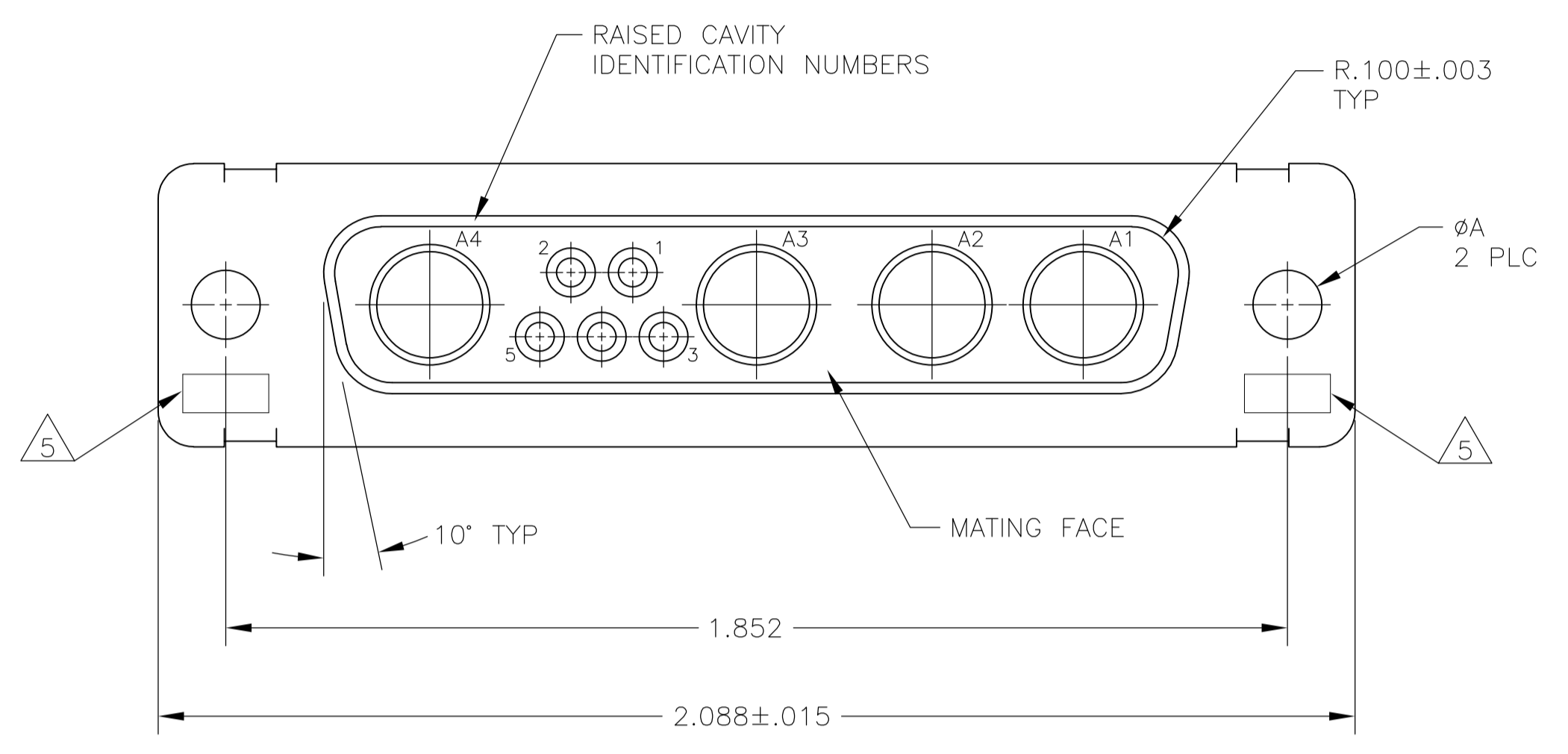
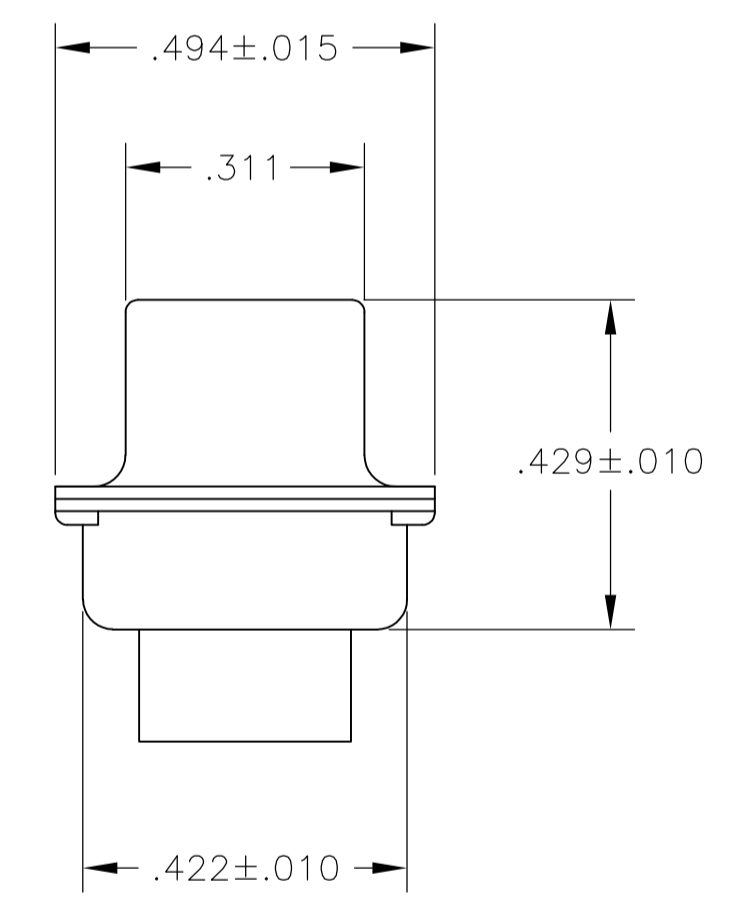
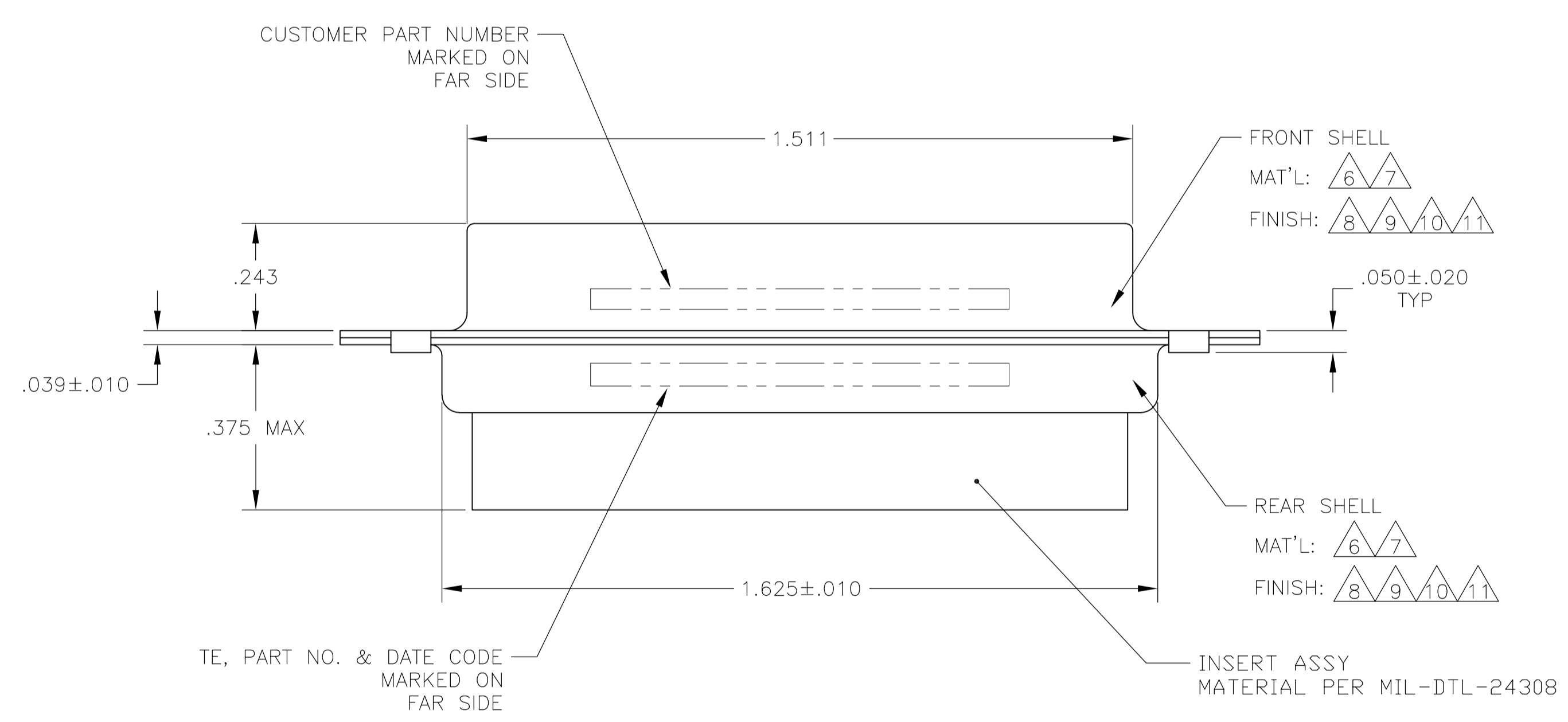


LOC		DIST		REVISIONS			
P	LTR	DESCRIPTION	DATE	DN	APVD		
T		REV PER ECO-15-016251	13NOV15	KG	CD		

1. THIS RECEPTACLE WILL MATE WITH ANY 9C4, SIZE 3 PLUG IN AMPLIMITE SERIES.
2. MAXIMUM WIRE INSULATION TO BE USED WITH THIS RECEPTACLE IS $\phi.072$.
3. THIS CONNECTOR ACCEPTS (4) POWER 8, OR COAX SOCKET CONTACTS IN POSITIONS A1 THRU A4, PURCHASED SEPARATELY. WILL NOT ACCEPT WILL NOT ACCEPT RIGHT ANGLE COAX.
4. THIS CONNECTOR ACCEPTS SIZE 20 SOCKET SIGNAL CONTACTS IN POSITIONS 1 THRU 5, PURCHASED SEPARATELY.



- 5 UL/CSA DESIGNATION STAMPED IN THIS AREA, OPTIONAL.
- 6 STEEL PER ASTM-A-109.
- 7 BRASS PER MIL-C-50 AND ASTM-B-36 UNS NO. C26000.
- 8 CADMIUM PLATED PER QQ-P-416, TYPE II, CLASS 2 OVER COPPER PER MIL-C-14550, CLASS IV.
- 9 GOLD PLATED PER MIL-G-45204 TYPE II, GRADE C, CLASS 1 OVER COPPER PER MIL-C-14550, CLASS IV.
- 10 FINISH: TIN PER ASTM-B-545 .000400 MIN THK OVER COPPER PER AMS2418 .000050 MIN THK.
- 11 FINISH: ZINC PLATE PER ASTM-B-633 .000200-.000400 THK WITH SUPPLEMENTARY CHROMATE (Cr3+).



6, 8	.120	T5935-0103-008	212502-7
6, 10	.120	-	5-212502-5
6, 11	.120	-	5-212502-1
7, 9	.120	B010942-0018	212502-6
6, 10	.120	-	212502-5
6, 10	.154	-	212502-4
7, 9	.154	311P405-11S-B-15	212502-3
7, 9	.120	311P405-11S-B-12	212502-2
6, 8	.120	-	212502-1
REMARKS	ϕA	CUSTOMER P/N	PART NO.

THIS DRAWING IS A CONTROLLED DOCUMENT.

DIMENSIONS: INCHES	TOLERANCES UNLESS OTHERWISE SPECIFIED:	0 PLC ± -	1 PLC ± -	2 PLC ± -	3 PLC ± .005(0.13)	4 PLC ± -	ANGLES ± $\phi'30$
--------------------	--	-----------	-----------	-----------	--------------------	-----------	--------------------

MATERIAL	FINISH	WEIGHT	SIZE	CAGE CODE	DRAWING NO	RESTRICTED TO
-	-	-	A1	00779	212502	-

STE TE Connectivity
 RECEPTACLE ASSEMBLY
 AMPLIMITE 9C4
 SIZE 3, SERIES 109, COAX MIX

CUSTOMER DRAWING SCALE 4:1 SHEET 1 OF 1 REV T

单击下面可查看定价，库存，交付和生命周期等信息

[>>TE Connectivity\(泰科\)](#)