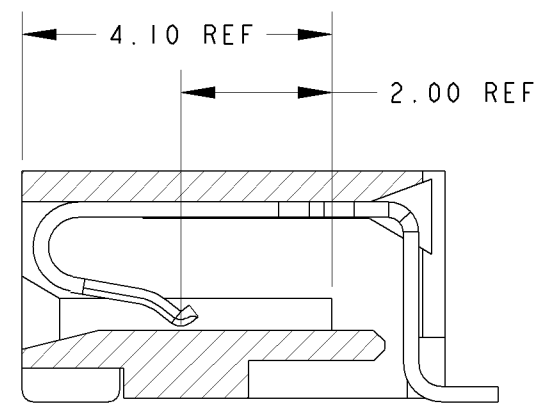
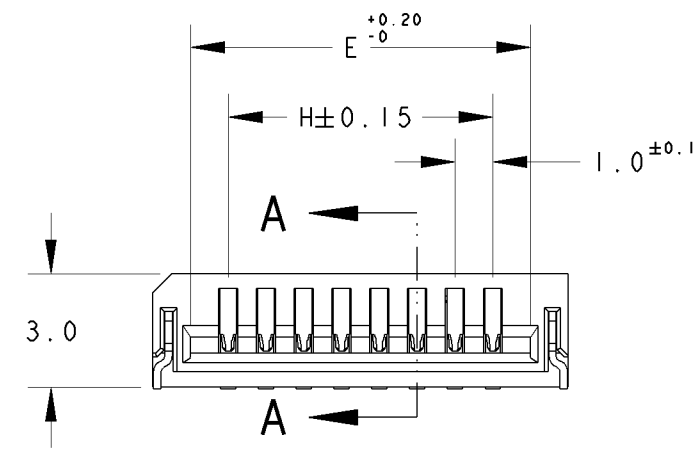
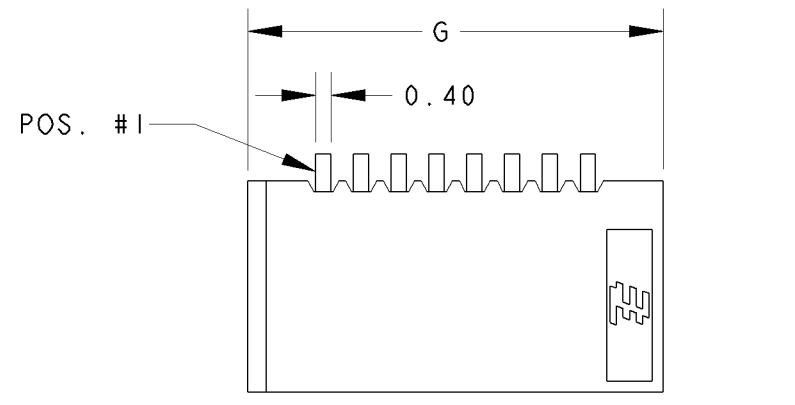
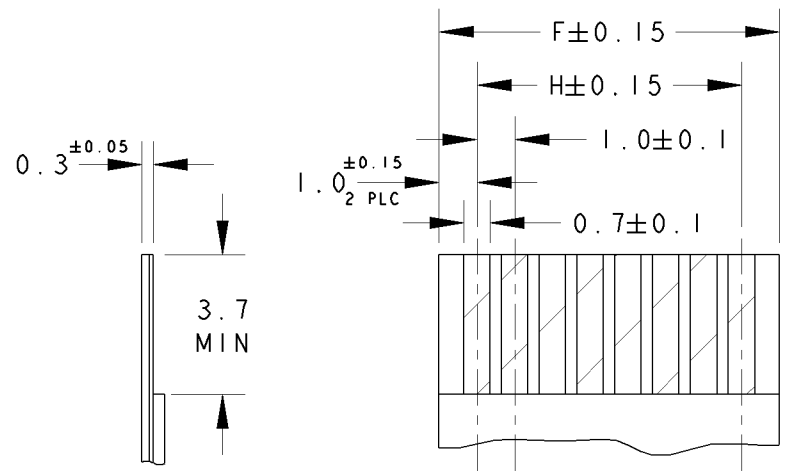


THIS DRAWING IS UNPUBLISHED. RELEASED FOR PUBLICATION .19
 © COPYRIGHT 19 BY - ALL RIGHTS RESERVED.

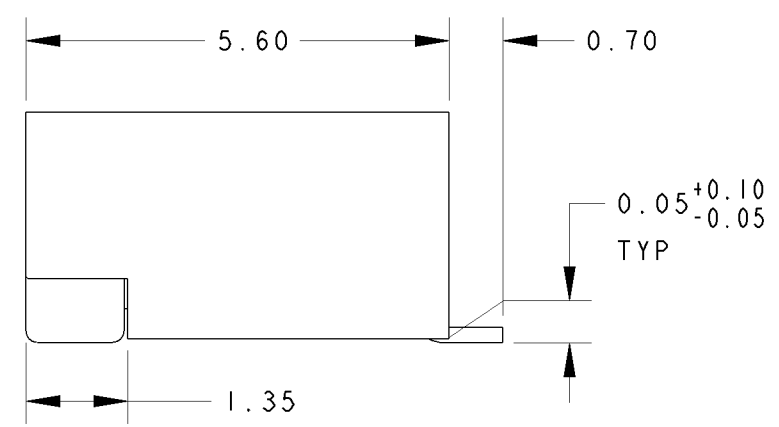
| LOC | DIST | REVISIONS | | | | |
|-----|------|-------------|---------------------------|---------|--------|--|
| P | LTR | DESCRIPTION | DATE | DWN | APVD | |
| DY | - | F2 | REVISED PER ECO-11-005139 | 19MAR11 | RK HMR | |



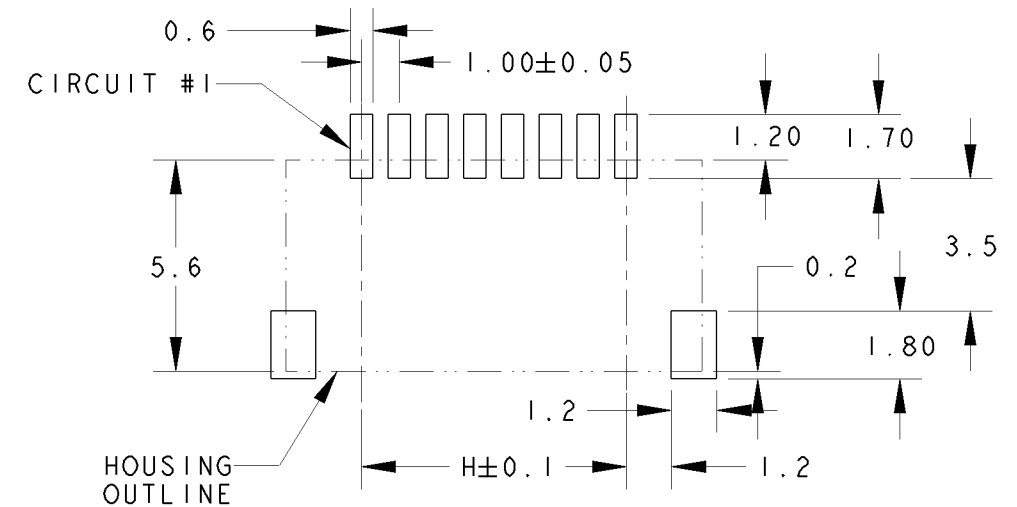
SECTION A-A
SCALE 10:1



RECOMMENDED FFC/FPC



SCALE 10:1



RECOMMENDED PCB LAYOUT
(NON-ACCUMULATIVE TOLERANCE)

NOTES:

- 1 MATERIAL:
HOUSING: GLASS FILLED HIGH TEMP NYLON, NATURAL COLOR (BEIGE)
CONTACT: PHOSPHOR BRONZE
SOLDER PEG: BRASS
- 2 FINISH: MATTE TIN OVER NICKEL UNDERPLATE
- 3. PACKAGING: TAPE & REEL (PACKAGING SPEC: 107-51189)

| | | | | | |
|-------|-------|-------|-------|------|-----------|
| 29.00 | 33.00 | 31.00 | 31.00 | 30 | 3-84981-0 |
| 28.00 | 32.00 | 30.00 | 30.00 | 29 | 2- -9 |
| 27.00 | 31.00 | 29.00 | 29.00 | 28 | 2- -8 |
| 26.00 | 30.00 | 27.00 | 27.00 | 27 | 2- -7 |
| 25.00 | 29.00 | 27.00 | 27.00 | 26 | 2- -6 |
| 24.00 | 28.00 | 26.00 | 26.00 | 25 | 2- -5 |
| 23.00 | 27.00 | 25.00 | 25.00 | 24 | 2- -4 |
| 22.00 | 26.00 | 24.00 | 24.00 | 23 | 2- -3 |
| 21.00 | 25.00 | 23.00 | 23.00 | 22 | 2- -2 |
| 20.00 | 24.00 | 22.00 | 22.00 | 21 | 2- -1 |
| 19.00 | 23.00 | 21.00 | 21.00 | 20 | 2-84981-0 |
| 18.00 | 22.00 | 20.00 | 20.00 | 19 | 1- -9 |
| 17.00 | 21.00 | 19.00 | 19.00 | 18 | 1- -8 |
| 16.00 | 20.00 | 18.00 | 18.00 | 17 | 1- -7 |
| 15.00 | 19.00 | 17.00 | 17.00 | 16 | 1- -6 |
| 14.00 | 18.00 | 16.00 | 16.00 | 15 | 1- -5 |
| 13.00 | 17.00 | 15.00 | 15.00 | 14 | 1- -4 |
| 12.00 | 16.00 | 14.00 | 14.00 | 13 | 1- -3 |
| 11.00 | 15.00 | 13.00 | 13.00 | 12 | 1- -2 |
| 10.00 | 14.00 | 12.00 | 12.00 | 11 | 1- -1 |
| 9.00 | 13.00 | 11.00 | 11.00 | 10 | 1-84981-0 |
| 8.00 | 12.00 | 10.00 | 10.00 | 9 | -9 |
| 7.00 | 11.00 | 9.00 | 9.00 | 8 | -8 |
| 6.00 | 10.00 | 8.00 | 8.00 | 7 | -7 |
| 5.00 | 9.00 | 7.00 | 7.00 | 6 | -6 |
| 4.00 | 8.00 | 6.00 | 6.00 | 5 | -5 |
| 3.00 | 7.00 | 5.00 | 5.00 | 4 | 84981-4 |
| H | G | F | E | POS. | PART NO. |

| | | | |
|------------------------|--|---|-----------------|
| DWN WYLEE 10JUN04 | | TE Connectivity | |
| CHK LP TAN | | | |
| APVD SF LEONG | | NAME | |
| PRODUCT SPEC 108-51054 | | ASSY, 1.00mm FFC CONN SMT, H, (NON-ZIF) | |
| APPLICATION SPEC - | | DRAWING NO | |
| WEIGHT - | | SIZE A3 | CAGE CODE 00779 |
| CUSTOMER DRAWING | | DRAWING NO C-84981 | |
| SCALE 5:1 | | SHEET 1 OF 1 | |
| REV F2 | | | |

单击下面可查看定价，库存，交付和生命周期等信息

[>>TE Connectivity\(泰科\)](#)