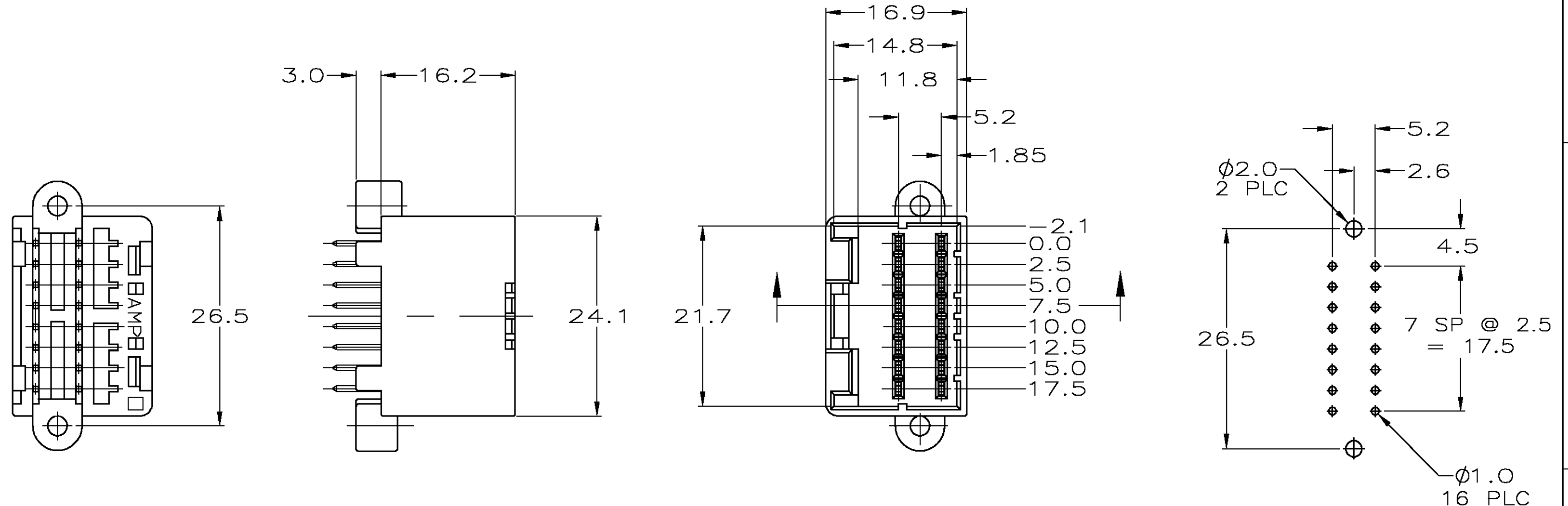


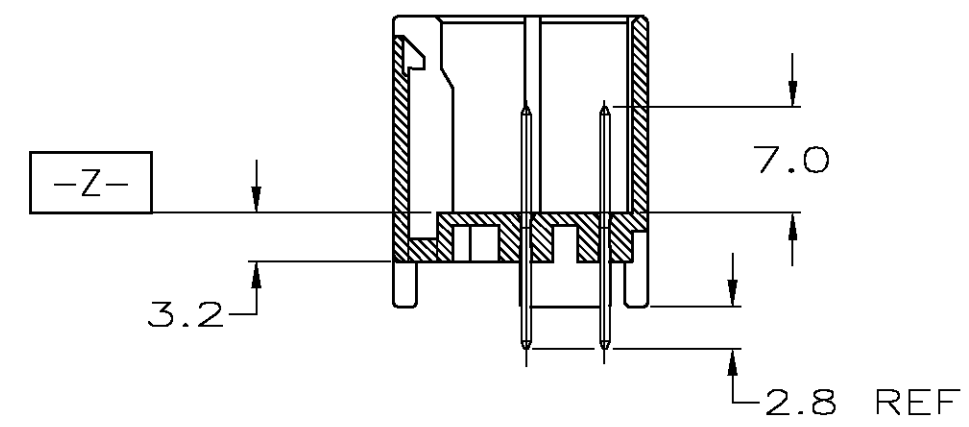
THIS DRAWING IS UNPUBLISHED. RELEASED FOR PUBLICATION
 © COPYRIGHT BY TYCO ELECTRONICS CORPORATION. ALL RIGHTS RESERVED.

LOC	DIST	REVISIONS					
FX	55	P	LTR	DESCRIPTION	DATE	DWN	APVD
			B	REVISED PER EC 0K80-0165-04	06MAY2004	DLD	RMC



P.C. BOARD LAYOUT
 TOLERANCE: ±0.1
 NON ACCUMULATIVE

- 1. TO BE MEASURED WITHIN 2MM FROM [-Z-]
- 2. APPLICABLE P.C. BOARD THICKNESS: 1.6MM
- 3. MATING CONNECTOR PART NO: 174046
- 4. RECOMMENDED MOUNTING SCREW: 3MM DIA
6MM LENGTH TAPPING SCREW



1-638008-2
 PART NUMBER

THIS DRAWING IS A CONTROLLED DOCUMENT.		DWN P. YEAGER 2-JAN-97	Tyco Electronics Corporation Harrisburg, PA 17105-3608					
DIMENSIONS: MM		CHK M. SHORE 2-JAN-97						
TOLERANCES UNLESS OTHERWISE SPECIFIED:		APVD M. SHORE 2-JAN-97	NAME 16 POSITION CAP ASSEMBLY (VERTICAL TYPE) .040 SERIES MULTI-LOCK I/O CONN ALL GOLD CONTACTS					
0 PLC ± - 1 PLC ± - 2 PLC ± 0.15 3 PLC ± - 4 PLC ± - ANGLES ± -		PRODUCT SPEC -	SIZE A3	CAGE CODE 00779	DRAWING NO C-638008	RESTRICTED TO -		
MATERIAL CONTACT-BRASS		FINISH CONTACT-GOLD	WEIGHT -	CUSTOMER DRAWING		SCALE 2:1	SHEET 1 OF 1	REV B

单击下面可查看定价，库存，交付和生命周期等信息

[>>TE Connectivity\(泰科\)](#)