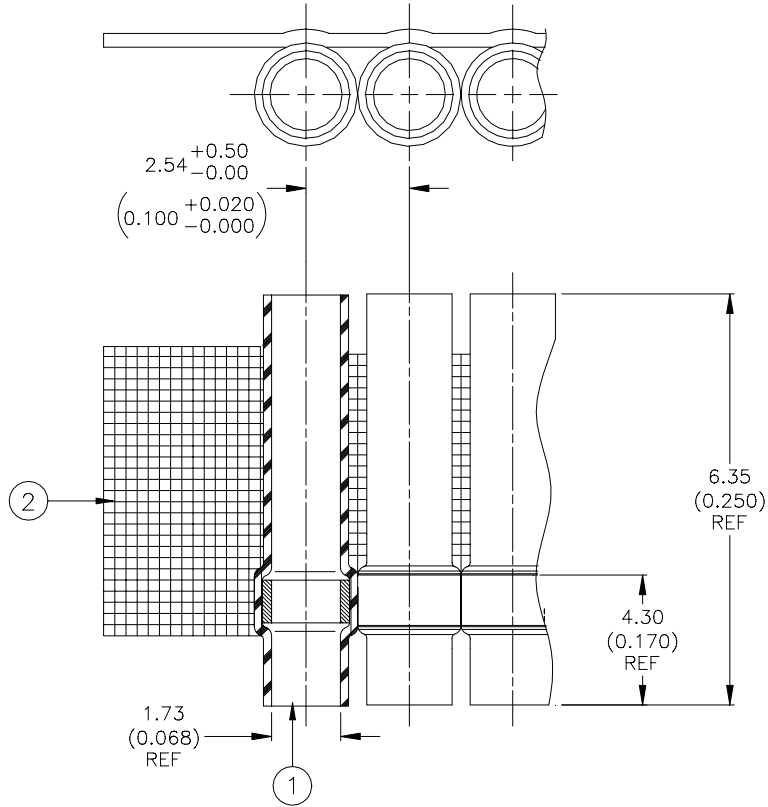


SPECIFICATION CONTROL DRAWING



MATERIALS

1. SOLDERSLLEEVE: D-128-0028. Quantity Per Assembly: 750
2. CARRIER STRIP: Adhesive Coated High Temperature Tape

APPLICATION

1. This assembly is designed to be used with a Raychem AS-4000 Wire Organization System on connectors with terminals on 2.54 (0.100) center spacing. For usage parameters, see Raychem Devices Specification Control Drawing D-128-0028.
2. Wire terminators are to be inspected to Raychem Devices Specification Control Drawing D-128-0028.

		Wire and Harnessing Products	TITLE : SOLDERPAK ASSEMBLY FOR AS-4000 2.54 (0.100) Center Spacing				
Unless otherwise specified dimensions are in millimeters. Inches dimensions are in between brackets.			DOCUMENT NO.: D-704-0042				
TOLERANCES: 0.00 N/A 0.0 N/A 0 N/A	ANGLES: N/A ROUGHNESS IN MICRON	Tyco Electronics reserves the right to amend this drawing at any time. Users should evaluate the suitability of the product for their application.	DCR NUMBER: D010411	REPLACES: N/A			
DRAWN BY: M. FORONDA	DATE: 22-Jun-01	PROD. REV. A	DOC ISSUE: 1	SCALE: None	SIZE: A	SHEET: 1 of 1	

If this document is printed it becomes uncontrolled. Check for the latest revision.

单击下面可查看定价，库存，交付和生命周期等信息

[>>TE Connectivity\(泰科\)](#)