

4

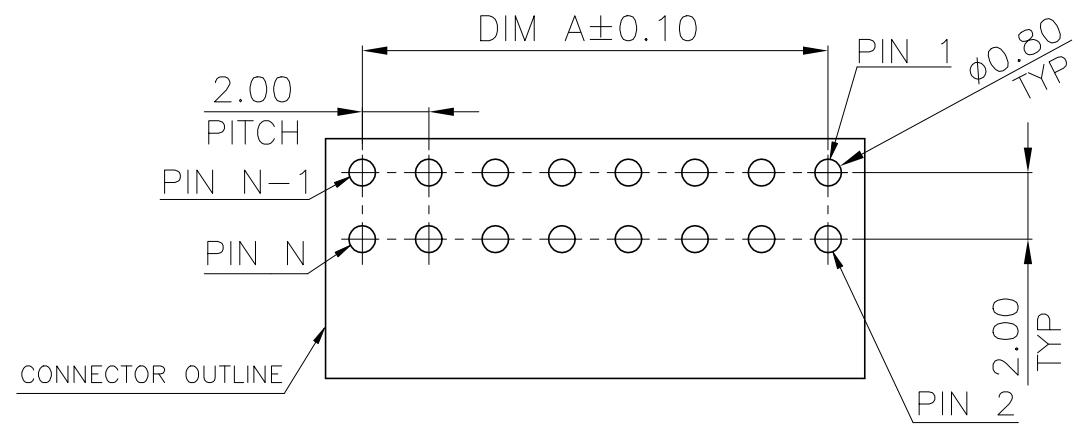
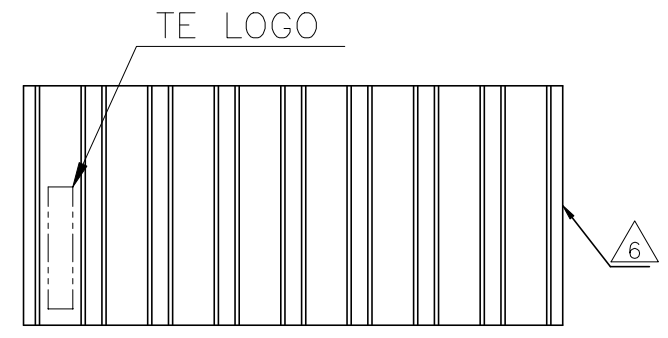
3

2

1

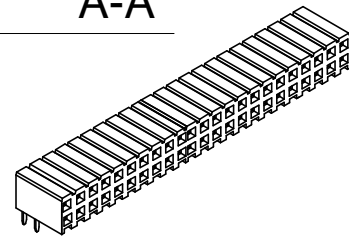
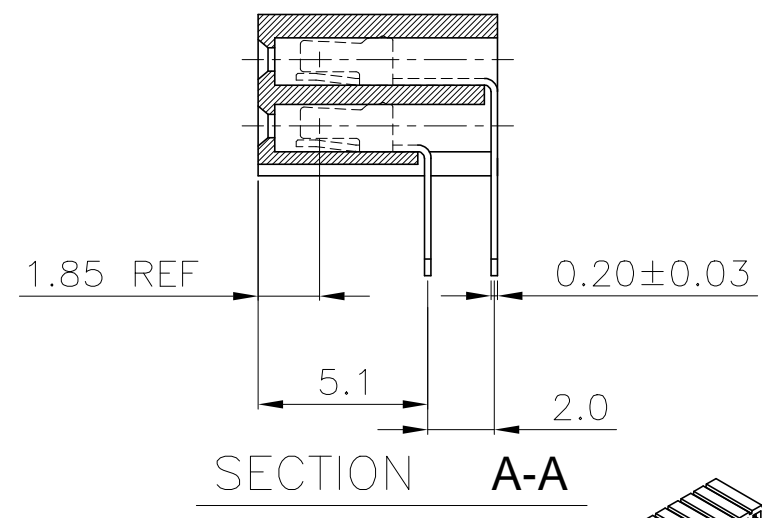
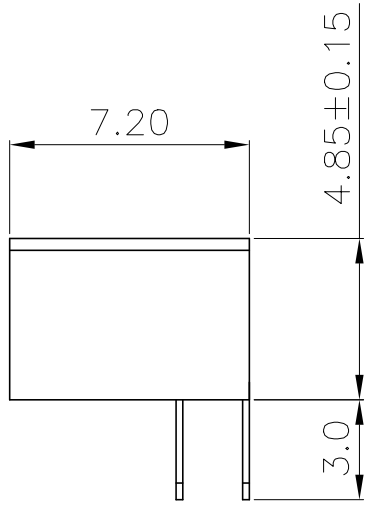
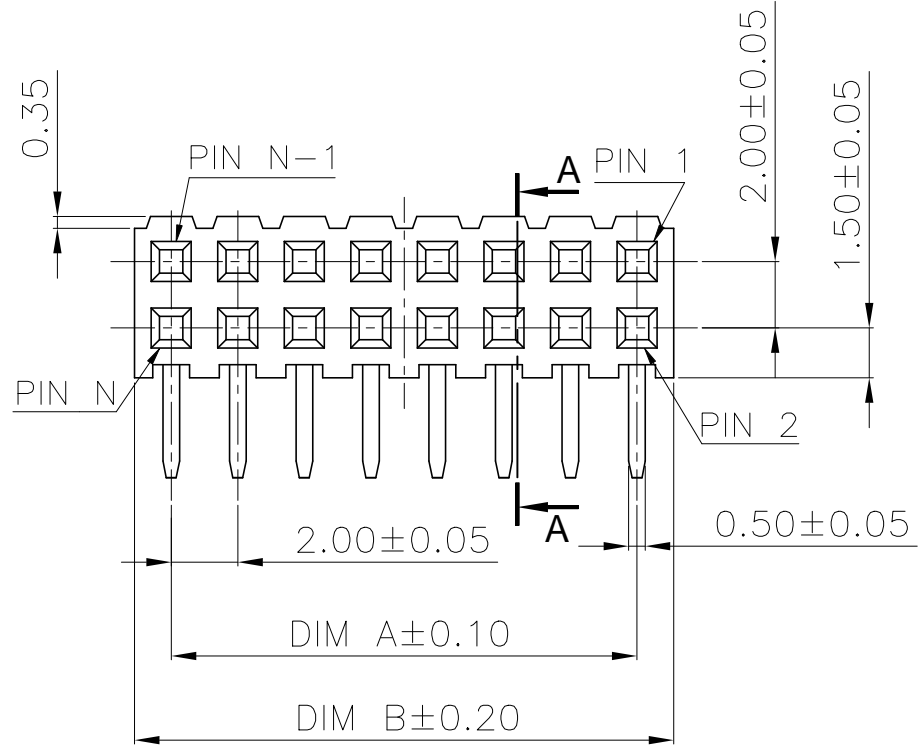
THIS DRAWING IS UNPUBLISHED
 RELEASED FOR PUBLICATION
 ALL RIGHTS RESERVED.

| P | LTR | DESCRIPTION | DATE | DWN | APVD |
|---|-----|--------------------|---------|-----|------|
| | D5 | OBSOLETE 1734531-9 | 17OCT19 | AY | PS |



| DIM A | DIM B | POSITION NUMBER | PART NUMBER | | | |
|----------|-------|-----------------|-------------|---|---|-----------|
| OBSOLETE | 78.00 | 80.20 | 80 | 8 | - | 0 |
| | 76.00 | 78.20 | 78 | 7 | - | 8 |
| | 74.00 | 76.20 | 76 | 7 | - | 6 |
| | 72.00 | 74.20 | 74 | 7 | - | 4 |
| | 70.00 | 72.20 | 72 | 7 | - | 2 |
| | 68.00 | 70.20 | 70 | 7 | - | 0 |
| | 66.00 | 68.20 | 68 | 6 | - | 8 |
| | 64.00 | 66.20 | 66 | 6 | - | 6 |
| | 62.00 | 64.20 | 64 | 6 | - | 4 |
| | 60.00 | 62.20 | 62 | 6 | - | 2 |
| | 58.00 | 60.20 | 60 | 6 | - | 0 |
| | 56.00 | 58.20 | 58 | 5 | - | 8 |
| | 54.00 | 56.20 | 56 | 5 | - | 6 |
| | 52.00 | 54.20 | 54 | 5 | - | 4 |
| OBSOLETE | 50.00 | 52.20 | 52 | 5 | - | 2 |
| | 48.00 | 50.20 | 50 | 5 | - | 0 |
| | 46.00 | 48.20 | 48 | 4 | - | 8 |
| | 44.00 | 46.20 | 46 | 4 | - | 6 |
| | 42.00 | 44.20 | 44 | 4 | - | 4 |
| | 40.00 | 42.20 | 42 | 4 | - | 2 |
| | 38.00 | 40.20 | 40 | 4 | - | 0 |
| | 36.00 | 38.20 | 38 | 3 | - | 8 |
| OBSOLETE | 34.00 | 36.20 | 36 | 3 | - | 6 |
| | 32.00 | 34.20 | 34 | 3 | - | 4 |
| | 30.00 | 32.20 | 32 | 3 | - | 2 |
| | 28.00 | 30.20 | 30 | 3 | - | 0 |
| OBSOLETE | 26.00 | 28.20 | 28 | 2 | - | 8 |
| | 24.00 | 26.20 | 26 | 2 | - | 6 |
| | 22.00 | 24.20 | 24 | 2 | - | 4 |
| | 20.00 | 22.20 | 22 | 2 | - | 2 |
| | 18.00 | 20.20 | 20 | 2 | - | 0 |
| | 16.00 | 18.20 | 18 | 1 | - | 8 |
| | 14.00 | 16.20 | 16 | 1 | - | 6 |
| | 12.00 | 14.20 | 14 | 1 | - | 4 |
| | 10.00 | 12.20 | 12 | 1 | - | 2 |
| | 8.00 | 10.20 | 10 | 1 | - | 0 |
| OBSOLETE | 6.00 | 8.20 | 8 | | | 1734531-8 |
| | 4.00 | 6.20 | 6 | | | 1734531-6 |
| | 2.00 | 4.20 | 4 | | | 1734531-4 |

5 RECOMMENDED PCB LAYOUT
 TOLERANCE ± 0.05 (TOP VIEW)



NOTE :

1 MATERIAL :
 HOUSING : THERMOPLASTIC, UL94V-0, BLACK COLOR
 CONTACT : PHOSPHOR BRONZE, THICKNESS=0.20mm.

2 FINISH :
 CONTACT: 0.254mm [10m"] MIN. GOLD PLATED ON CONTACT AREA
 2.54mm [100m"] MIN. BRIGHT TIN PLATED ON SOLDER TAIL,
 1.27mm [50m"] MIN. NICKEL UNDERPLATED OVER ALL

3 APPLICATION :
 SOLDER TAIL LENGTH 2.6 FOR PCB THICKNESS 1.6±0.1

4 WAVE SOLDER CAPABLE TO 265°C PER TE SPEC 109-202, CONDITION B

5 NO CUMULATIVE TOLERANCE

6 DATECODE: YY WW D *
 ASS'Y LINE NO.
 DAY
 WEEK CODE
 YEAR

7 QUALIFICATION TEST REPORT: 501-57197

| | | | | | | | | | | |
|---|---|--|--------|-----------|--------------------------|--------|------------|-----------|---------------|---|
| THIS DRAWING IS A CONTROLLED DOCUMENT. | | DWN | O.HU | 05JUL2005 | TE Connectivity Ltd. | | | | | |
| DIMENSIONS: mm | | CHK | S.HOU | 05JUL2005 | | | | | | |
| TOLERANCES UNLESS OTHERWISE SPECIFIED: | | APVD | W.J.KE | 05JUL2005 | | | | | | |
| 0 PLC ± 0.5 1 PLC ± 0.2 2 PLC ± 0.1 3 PLC ± 0.05 4 PLC ± - ANGLES ± 3° | | PRODUCT SPEC 108-57197 APPLICATION SPEC - | | NAME | | | | | | |
| MATERIAL | 1 | FINISH | 2 | WEIGHT | - | | | | | |
| CUSTOMER DRAWING | | | SIZE | A3 | CAGE CODE | 00779 | DRAWING NO | C-1734531 | RESTRICTED TO | - |
| | | | SCALE | 1:1 | SHEET | 1 OF 3 | REV | D5 | | |

4

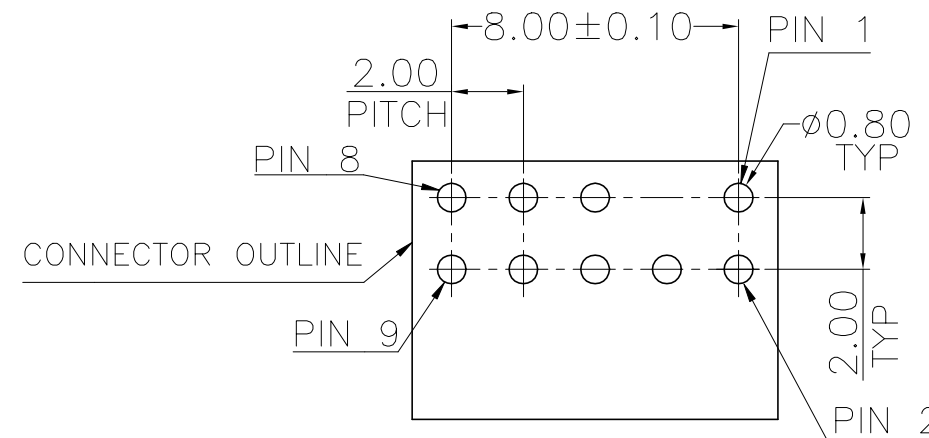
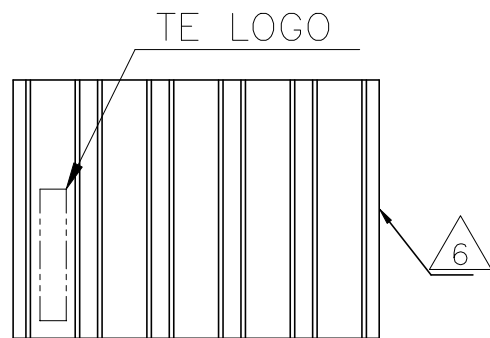
3

2

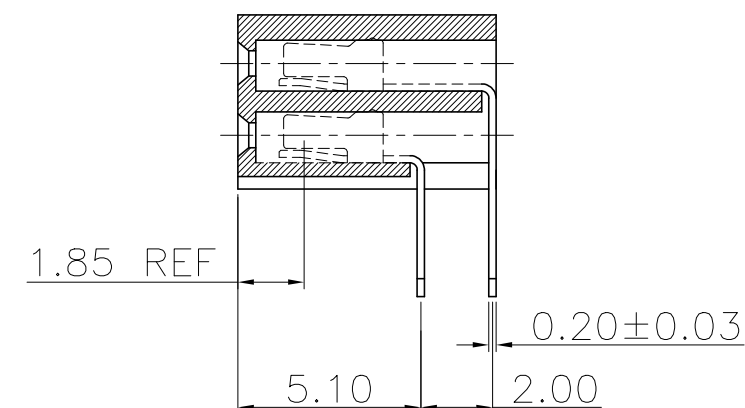
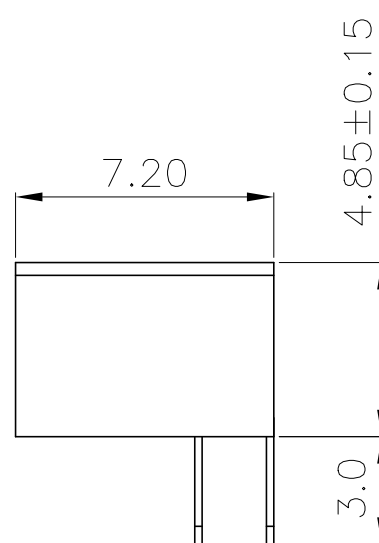
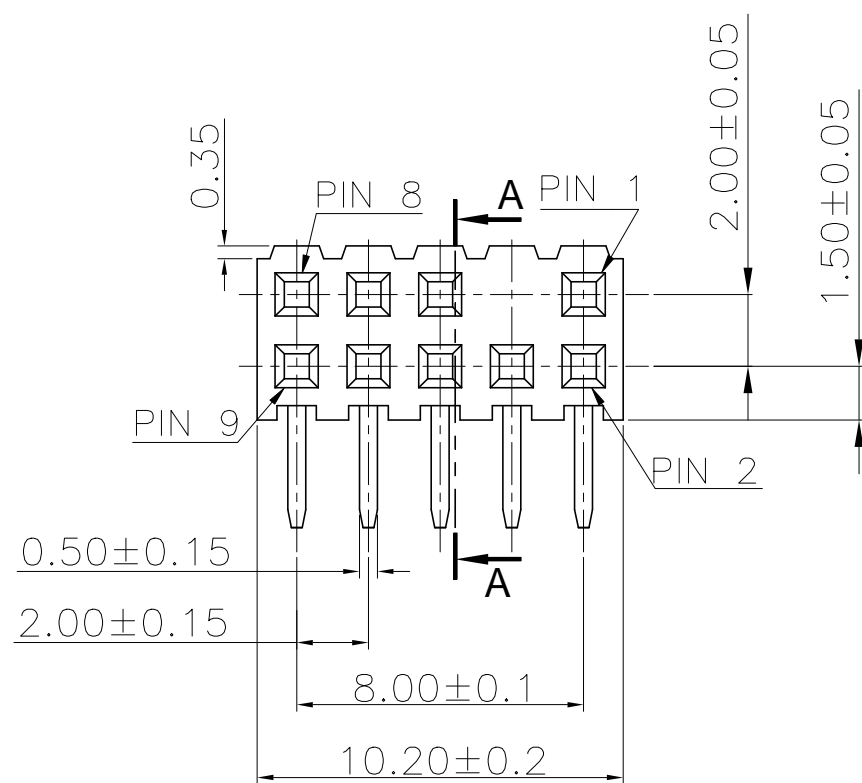
1

THIS DRAWING IS UNPUBLISHED
RELEASED FOR PUBLICATION
ALL RIGHTS RESERVED.

| REVISIONS | | | | | |
|-----------|-----|-------------|------|-----|------|
| P | LTR | DESCRIPTION | DATE | DWN | APVD |
| - | - | SEE SHEET 1 | - | - | - |



△ 5 RECOMMENDED PCB LAYOUT
TOLERANCE ± 0.05 (TOP VIEW)



SECTION A-A

| | | |
|-----------------|---|-------------|
| OBSOLETE | 9 | 1734531-9 |
| POSITION NUMBER | | PART NUMBER |

| | | | | | |
|---|--|-----------------------------|---|--------------------|-----------------------|
| THIS DRAWING IS A CONTROLLED DOCUMENT. | | DWN O.HU 05JUL2005 | TE Connectivity Ltd. | | |
| DIMENSIONS: mm | | CHK S.HOU 05JUL2005 | | | |
| TOLERANCES UNLESS OTHERWISE SPECIFIED: | | APVD W.J.KE 05JUL2005 | NAME AMPMODU 2.0mm PITCH, RCPT CONN., RIGHT-ANGLE, MOUNT TYPE | | |
| 0 PLC ± 0.5 1 PLC ± 0.2 2 PLC ± 0.1 3 PLC ± 0.05 4 PLC ± - ANGLES ± 3° | | PRODUCT SPEC 108-57197 | SIZE A3 | CAGE CODE 00779 | DRAWING NO 1734531 |
| MATERIAL SEE SHEET 1 | | FINISH SEE SHEET 1 | RESTRICTED TO - | SCALE 1:1 | |
| | | WEIGHT - | SHEET 2 of 3 | | REV D5 |
| CUSTOMER DRAWING | | | | | |

4

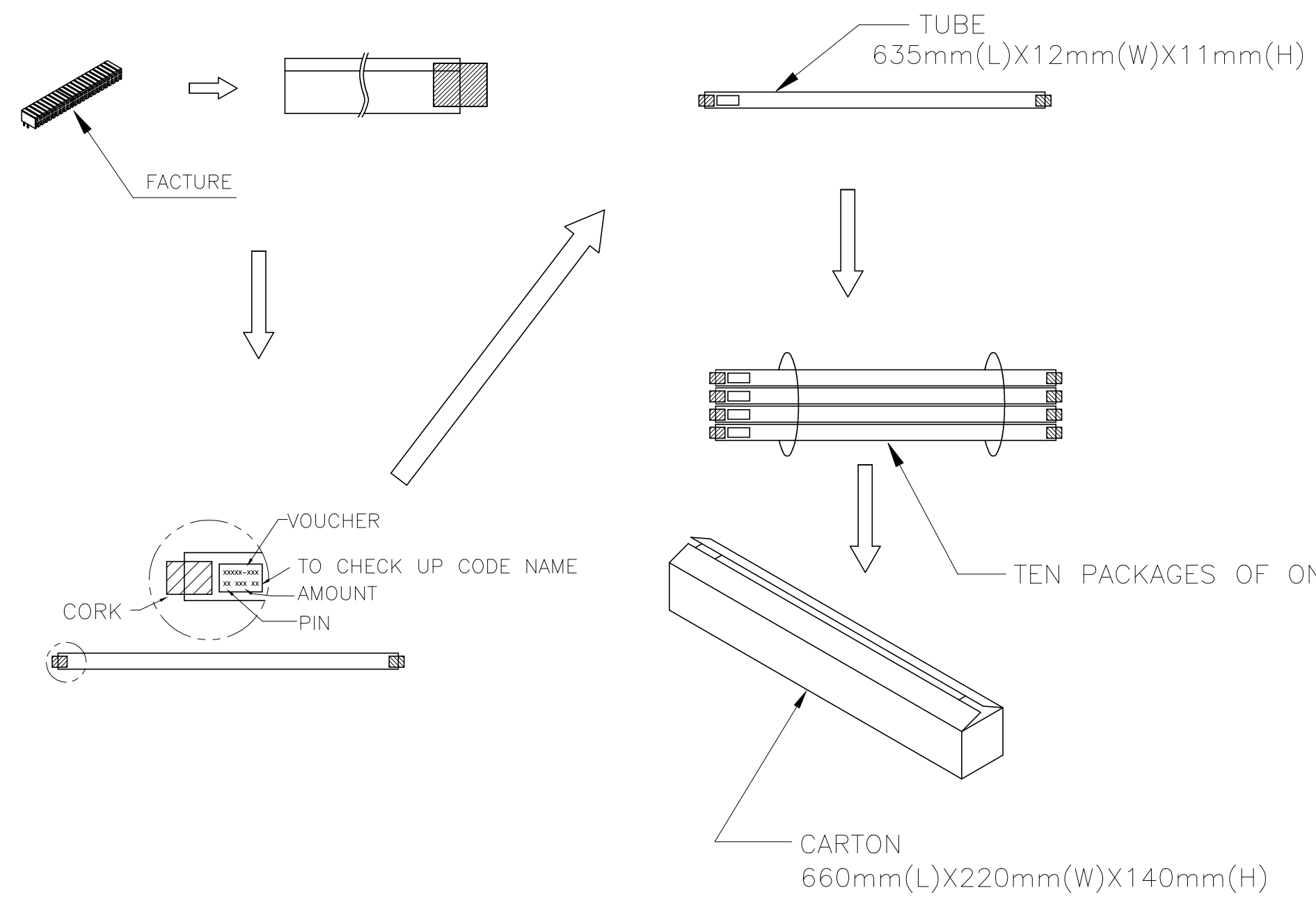
3

2

1

THIS DRAWING IS UNPUBLISHED
 RELEASED FOR PUBLICATION
 ALL RIGHTS RESERVED.

| REVISIONS | | | | |
|-----------|-----|-------------|------|------|
| P | LTR | DESCRIPTION | DATE | APVD |
| - | - | SEE SHEET 1 | - | - |



| OBSOLETE | 1050 | 150 | 7 | 80 | 8 | -0 |
|----------|-----------------|--------------|--------------------|-------------|---|-----------|
| | 1050 | 150 | 7 | 78 | 7 | -8 |
| | 1050 | 150 | 7 | 76 | 7 | -6 |
| | 1200 | 150 | 8 | 74 | 7 | -4 |
| | 1200 | 150 | 8 | 72 | 7 | -2 |
| | 1200 | 150 | 8 | 70 | 7 | -0 |
| | 1200 | 150 | 8 | 68 | 6 | -8 |
| | 1350 | 150 | 9 | 66 | 6 | -6 |
| | 1350 | 150 | 9 | 64 | 6 | -4 |
| | 1350 | 150 | 9 | 62 | 6 | -2 |
| | 1500 | 150 | 10 | 60 | 6 | -0 |
| | 1500 | 150 | 10 | 58 | 5 | -8 |
| | 1500 | 150 | 10 | 56 | 5 | -6 |
| | 1650 | 150 | 11 | 54 | 5 | -4 |
| OBSOLETE | 1650 | 150 | 11 | 52 | 5 | -2 |
| | 1800 | 150 | 12 | 50 | 5 | -0 |
| | 1800 | 150 | 12 | 48 | 4 | -8 |
| | 1950 | 150 | 13 | 46 | 4 | -6 |
| | 1950 | 150 | 13 | 44 | 4 | -4 |
| | 2100 | 150 | 14 | 42 | 4 | -2 |
| | 2100 | 150 | 14 | 40 | 4 | -0 |
| | 2250 | 150 | 15 | 38 | 3 | -8 |
| OBSOLETE | 2400 | 150 | 16 | 36 | 3 | -6 |
| | 2550 | 150 | 17 | 34 | 3 | -4 |
| | 2700 | 150 | 18 | 32 | 3 | -2 |
| | 2850 | 150 | 19 | 30 | 3 | -0 |
| | 3150 | 150 | 21 | 28 | 2 | -8 |
| OBSOLETE | 3300 | 150 | 22 | 26 | 2 | -6 |
| | 3600 | 150 | 24 | 24 | 2 | -4 |
| | 3900 | 150 | 26 | 22 | 2 | -2 |
| | 4350 | 150 | 29 | 20 | 2 | -0 |
| | 4800 | 150 | 32 | 18 | 1 | -8 |
| | 5400 | 150 | 36 | 16 | 1 | -6 |
| | 6150 | 150 | 41 | 14 | 1 | -4 |
| | 7200 | 150 | 48 | 12 | 1 | -2 |
| | 8550 | 150 | 57 | 10 | 1 | -0 |
| OBSOLETE | 8550 | 150 | 57 | 9 | - | 1734531-9 |
| OBSOLETE | 10650 | 150 | 72 | 8 | - | 1734531-8 |
| | 14400 | 150 | 96 | 6 | - | 1734531-6 |
| | 21600 | 150 | 144 | 4 | - | 1734531-4 |
| QTY | TUBE/ CARTON | PCS/ TUBE | POSITION NUMBER | PART NUMBER | | |

| | | | | | |
|---|--|-----------------------------|---|--------------------|-----------------------|
| THIS DRAWING IS A CONTROLLED DOCUMENT. | | DWN O.HU 05JUL2005 | TE Connectivity Ltd. | | |
| DIMENSIONS: mm | | CHK S.HOU 05JUL2005 | | | |
| TOLERANCES UNLESS OTHERWISE SPECIFIED: | | APVD W.J.KE 05JUL2005 | NAME AMPMODU 2.0mm PITCH, RCPT CONN., RIGHT-ANGLE, MOUNT TYPE | | |
| 0 PLC ± 0.5 1 PLC ± 0.2 2 PLC ± 0.1 3 PLC ± 0.05 4 PLC ± - ANGLES ± 3° | | PRODUCT SPEC 108-57197 | SIZE A3 | CAGE CODE 00779 | DRAWING NO 1734531 |
| MATERIAL SEE SHEET 1 | | FINISH SEE SHEET 1 | APPLICATION SPEC - | RESTRICTED TO - | |
| | | WEIGHT - | CUSTOMER DRAWING | | |
| | | | SCALE 1:1 | SHEET 3 of 3 | REV D5 |

单击下面可查看定价，库存，交付和生命周期等信息

[>>TE Connectivity\(泰科\)](#)