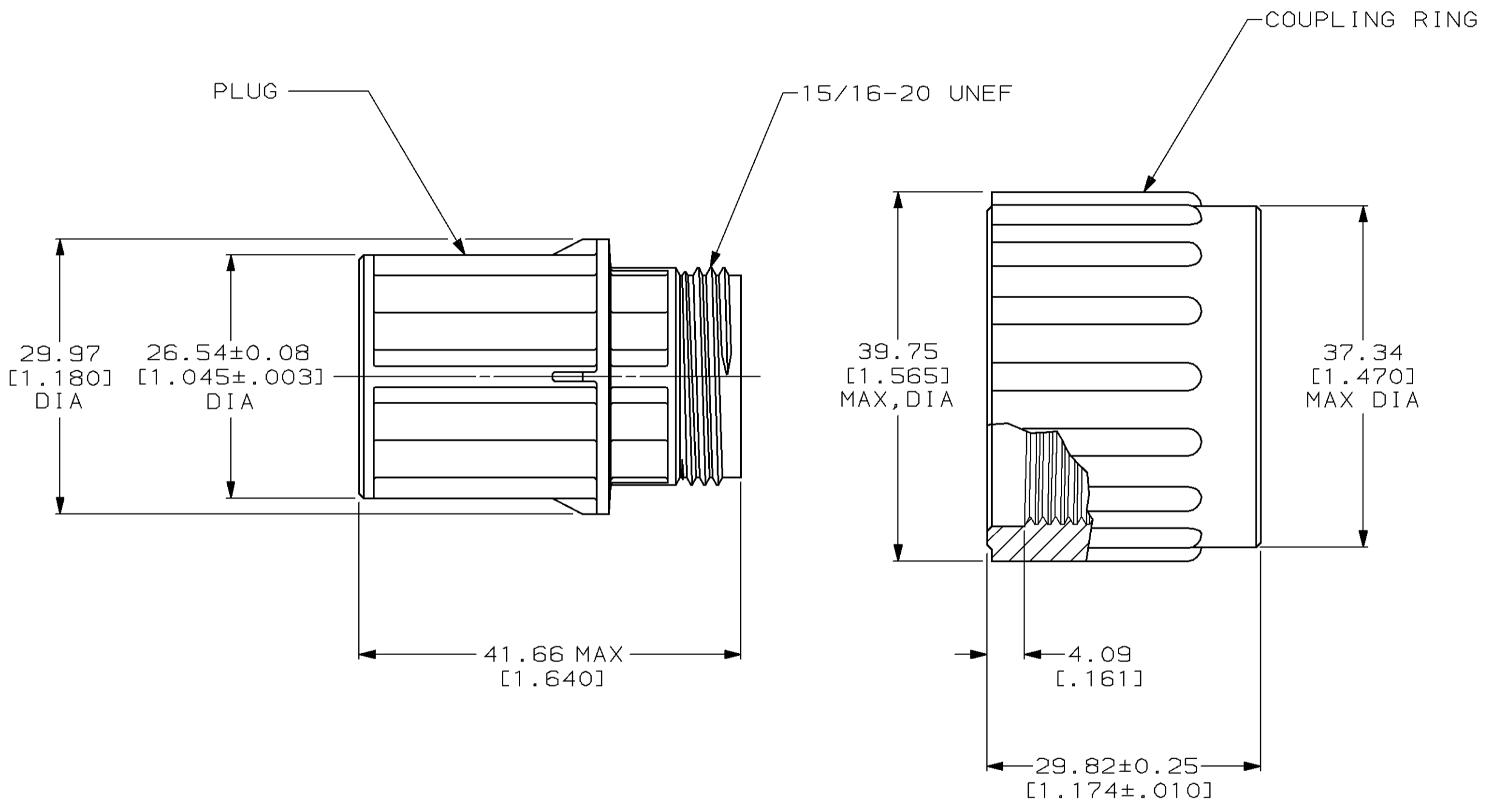
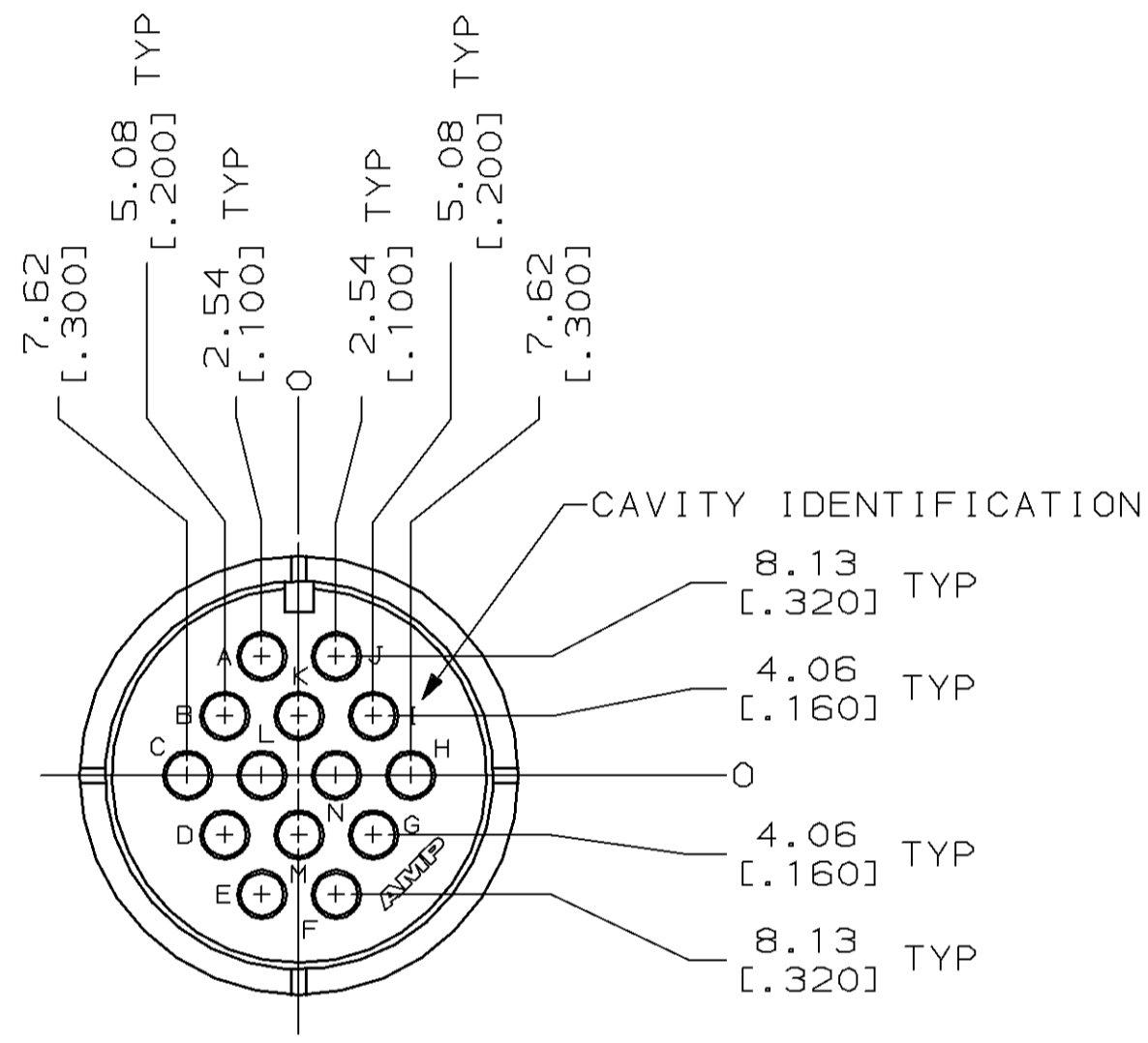


MOD	LOC	DIST	P	F	REVISIONS				
					ZONE	LTR	DESCRIPTION	DATE	APPD
4	BD	35			O		RLSE PER NPR 3280, WAS 90-5029-3-2	01/18/91	KB
					A		REVISED PER ECN BD6148	04/21/92	KB
					B		REV PER EC 0020-299-93	04/07/93	RW
					C		REV PER EC 0020-155-94	03/10/94	AF
					D		REV PER EC 0020-0740-94	07/13/94	AF

1. PLUG MATES WITH PRODUCT DESIGNED TO MIL SPEC 5015.
2. PLUG ACCEPTS TYPE III+ SOCKET CONTACTS.
3. PARTS BULK PACKAGED.



DO NOT SCALE PRINT. UNLESS SPECIFIED DIMENSIONS IN mm [INCHES] TOLERANCES ON:			DR 01/18/91 L.SIPE			213652-1		
2 PLC DEC ± 0.13 [0.005]			CHK 1-31-91 R.STONE			PART NO		
3 PLC DEC ± -			APPD 1-31-91 K.BEAVER			AMP Incorporated Harrisburg, PA 17105-3608		
ANGLES ± -			APPD 1-31-91 J.FULPONI			NAME		
MATERIAL POLYAMID, BLACK			PRODUCT SPEC 108-10024			PLUG KIT, UNASSEMBLED, 20-14 ARR, STD SEX, CPC		
FINISH -			APPLICATION SPEC 114-10004			SIZE CAGE CODE DRAWING NO		
			WEIGHT -			C 00779 213652		
						SCALE 2:1 SHEET 1 OF 1		

单击下面可查看定价，库存，交付和生命周期等信息

[>>TE Connectivity\(泰科\)](#)