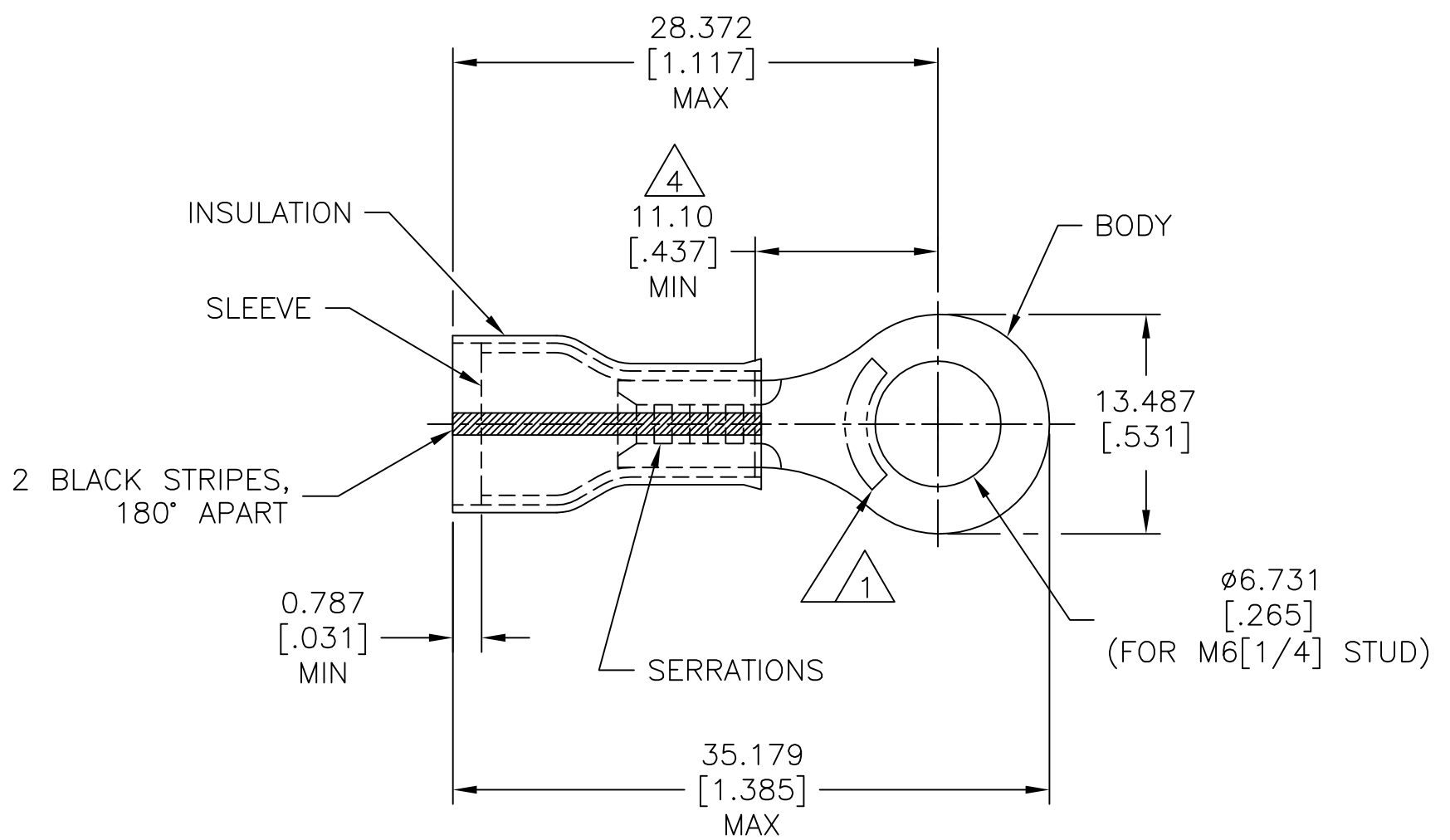


REVISIONS					
P	LTR	DESCRIPTION	DATE	DWN	APVD
	G	REV & REDRAW/0720-0603-95	10OCT95	MLE	NB
	G1	REVISED PER ECO-17-007400	04DEC2017	RS	DR



AMP WIRE RANGE	E13288 Listed	LR7189 Certified
16-14 AWG SOLID OR STRANDED	16-14 AWG SOLID OR STRANDED	16-14 AWG SOLID OR STRANDED

- 1 STAMP AMP 16-14 HD* APPROX AS SHOWN.
- 2 WIRE INSULATION, $\phi 4.318-7.620[\phi.170-.300]$
- 3 BODY MATERIAL THK, $1.219\pm 0.051[.048\pm.002]$
- 4 APPLIES FROM EDGE OF METAL WIRE BARREL TO CENTER OF STUD HOLE.

500	LOOSE PIECE	35362
QTY	PACKAGE TYPE	PART NO

AMP INCORPORATED
 CUSTOMER SERVICE SYSTEMS

THIS DRAWING IS A CONTROLLED DOCUMENT.

DWN	M ELLIS	17APR95
CHK	C PRESNELL	17APR95
APVD	N BIRCH	17APR95
PRODUCT SPEC	UL 486 A-B	
APPLICATION SPEC	114-2157	
WEIGHT	-	



NAME
 TERMINAL, RING TONGUE, PIDG™
 WIRE SIZE, 16-14HD AWG

FOR ADDITIONAL PRODUCT INFORMATION OR COPIES OF DRAWINGS AND TECHNICAL DOCUMENTS	PRODUCT INFORMATION CENTER 1-800-522-6752	MAX RECOMMENDED OPERATING TEMPERATURE: 105°C [221°F] MAX
FOR APPLICATION TOOLING INFORMATION	TOOLING ASSISTANCE CENTER 1-800-722-1111	
FOR ORDER ENTRY	1-800-526-5142	WIRE CROSS SECTIONAL AREA RANGE, 2.62-6.64mm²[5,180-13,100] SOLID OR STRANDED

DIMENSIONS: mm [INCHES]	TOLERANCES UNLESS OTHERWISE SPECIFIED:
	0 PLC ± - 1 PLC ± - 2 PLC ± - 3 PLC ± 0.127[.005] 4 PLC ± - ANGLES ± -
MATERIAL BODY,SLV,COPPER PER ASTM B 152 INSULATION: PVC,	FINISH BODY & SLV,TIN PLATE PER ASTM B545 INSULATION: COLOR-YELLOW

SIZE	CAGE CODE	DRAWING NO	RESTRICTED TO
A3	00779	C=35362	-
CUSTOMER DRAWING		SCALE 4:1	SHEET 1 OF 1 REV G1

单击下面可查看定价，库存，交付和生命周期等信息

[>>TE Connectivity\(泰科\)](#)