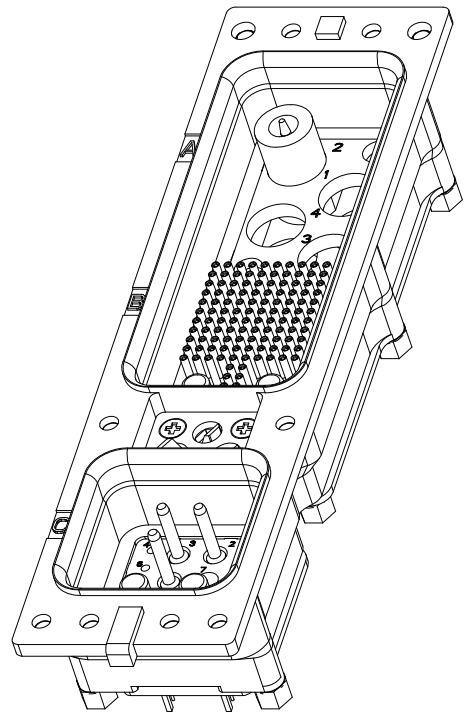


THE DRAWING IS UNPUBLISHED.  
 RELEASED FOR PUBLICATION  
 © copyright - by - ALL RIGHTS RESERVED

REVISIONS				
P	LN	DESCRIPTION	DATE	BY
E	REV PER	ECO-17-013837	09-20-17	DCB RL



- CONNECTOR DIMENSIONS ARE PER ARINC 600 SPECIFICATION.
  - CONNECTOR IS SUPPLIED WITH A DUST COVER INSTALLED; NOT SHOWN.
  - KEYING SHOWN IN POSITION FOR ILLUSTRATION ONLY.  
CONNECTORS SHIPPED WITH KEYING INSTALLED IN POSITION PER TABLE FOR POSITION "00" KEYING HARDWARE SHIPPED UNASSEMBLED.
  - SIZE 22 AND SIZE 12 CONTACTS NOT SHOWN IN FRONT AND REAR VIEWS FOR CLARITY.
- △ DIMENSION TO CONTACT POST IS WITH CONTACTS FULLY SEATED TO REAR OF CONTACT CAVITIES.
- △ THE FOLLOWING CONTACTS AND FILLER PLUGS ARE LOADED IN THIS CONNECTOR:
- MODULE A:  
 P/N 1663625-1 (SIZE 1 FILLER PLUG; QTY = 3) POSITIONS 1, 3 & 4.  
 P/N 1757669-1 (MODIFIED SIZE 1 COAX PIN ADAPTER; QTY = 1) POSITION 2.
- MODULE B:  
 P/N 211431-6 (SIZE 22 POSTED CONTACT; QTY = 118)  
 P/N 448540-3 (POSTED SIZE 8 PIN COAX; QTY = 2)
- MODULE C:  
 P/N 1663129-5 (SIZE 12 POSTED CONTACT; QTY = 3) POSITIONS 2, 3 & 8.  
 P/N 1663535-1 (POSTED SIZE 5 PIN COAX; QTY = 2) POSITIONS 12 & 13.  
 P/N 1663767-6 (SIZE 20 FILLER PLUG; QTY = 4) POSITIONS 1, 4, 5 & 6.  
 P/N 1663767-7 (SIZE 16 FILLER PLUG; QTY = 3) POSITIONS 9, 10 & 11.  
 P/N 1663767-8 (SIZE 12 FILLER PLUG; QTY = 1) POSITION 7.
- △ THE FOLLOWING CONTACTS AND FILLER PLUGS ARE LOADED IN THIS CONNECTOR:
- MODULE A:  
 P/N 1663625-1 (SIZE 1 FILLER PLUG; QTY = 3) POSITIONS 1, 3 & 4.  
 P/N 1757669-1 (MODIFIED SIZE 1 COAX PIN ADAPTER; QTY = 1) POSITION 2.
- MODULE B:  
 S2 22 NON-REMOVABLE POSTED SOCKET CONTACT (QTY = 118)  
 P/N 448540-3 (POSTED SIZE 8 PIN COAX; QTY = 2)
- MODULE C:  
 P/N 1663129-5 (SIZE 12 POSTED CONTACT; QTY = 3) POSITIONS 2, 3 & 8.  
 P/N 1663535-1 (POSTED SIZE 5 PIN COAX; QTY = 2) POSITIONS 12 & 13.  
 P/N 1663767-6 (SIZE 20 FILLER PLUG; QTY = 4) POSITIONS 1, 4, 5 & 6.  
 P/N 1663767-7 (SIZE 16 FILLER PLUG; QTY = 3) POSITIONS 9, 10 & 11.  
 P/N 1663767-8 (SIZE 12 FILLER PLUG; QTY = 1) POSITION 7.
- △ STANDOFF FASTENER TORQUE TO BE 3.5-4.5 in-lb
- △ STANDOFF FASTENER TORQUE TO BE 5.5-6.5 in-lbs

COMPONENT	MATERIAL	FINISH
SHELL	ALUMINUM ALLOY A380 PER ASTM-B-85	ELECTROLESS NICKEL PER MIL-C-26074
RETENTION PLATES	ALUMINUM ALLOY PER ASTM-B-209	ELECTROLESS NICKEL PER MIL-C-26074
PAN HEAD SCREWS AND LOCKWASHERS	STAINLESS STEEL	PASSIVATED
FLAT HEAD SCREWS (FOR KEYING HARDWARE)	STAINLESS STEEL	PASSIVATED
POLARIZING KEYS	ZINC ALLOY PER ASTM-B-86	-
POLARIZING KEY RETAINING PLATE	ALUMINUM ALLOY PER ASTM-B-209	BLUE ANODIZED PER MIL-A-8625
C4 INSERT	DIE CAST ALUMINUM PER ASTM-B-85.	ELECTROLESS NICKEL PER MIL-C-26074
120T2 & 13C2 INSERTS	THERMOSET OR THERMOPLASTIC PPS PER MIL-M-24519	-
STANDOFF	STAINLESS STEEL	PASSIVATED

03	△	1757691-2
03	△	1757691-1
KEYING POSITION	CONTACTS INCLUDED AND INSTALLED	PART NUMBER

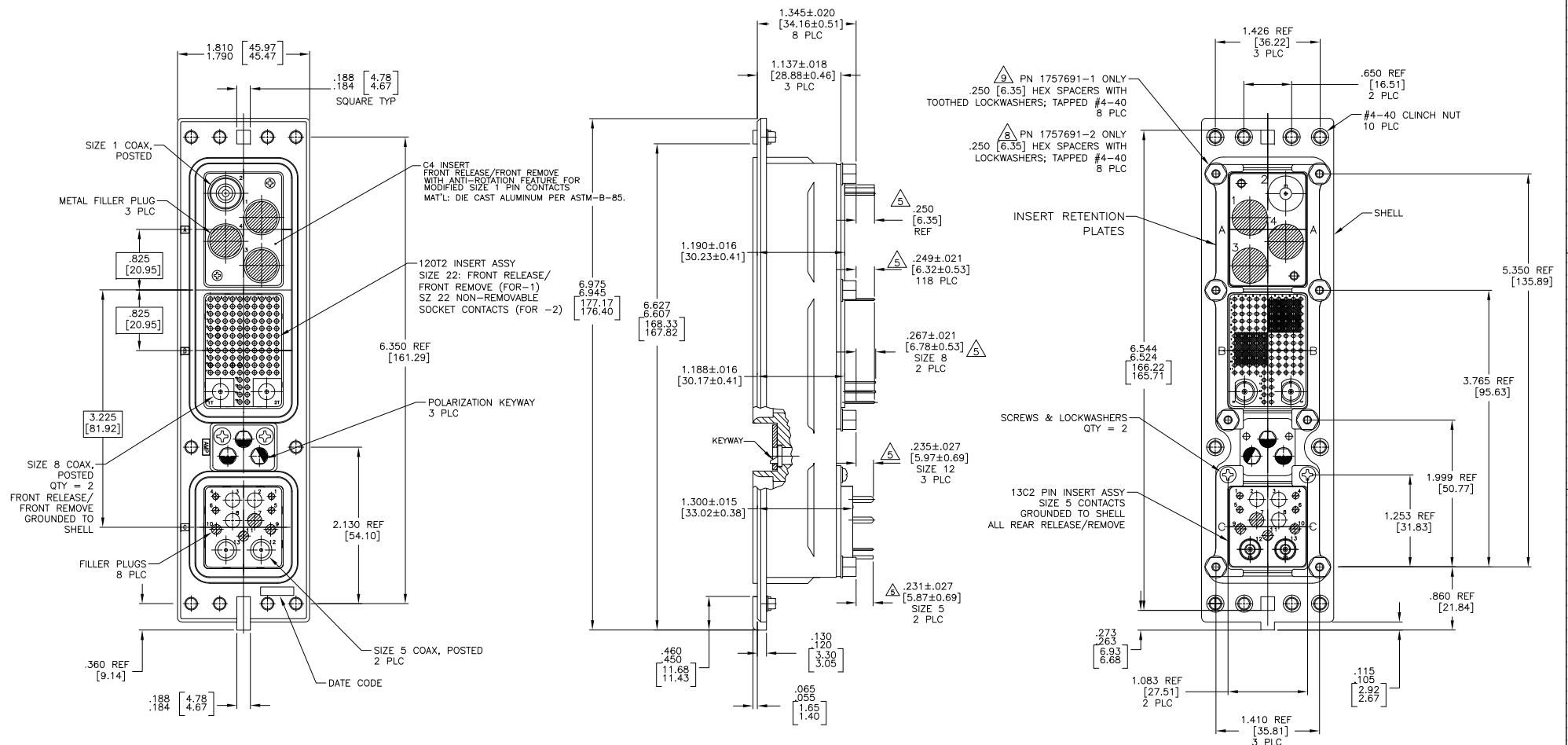
THIS DRAWING IS A CONTROLLED DOCUMENT.

APPROVED: C.C. THOMAS 2-7-05  
 DESIGNED: K. HOGAN 2-14-05  
 DRAWN: K. HOGAN 2-14-05

TE Connectivity  
 RCPT ASSY, SIZE 2, SEALED, ARINC 600 (C4/120T2/13C2)

APPLICATION SPEC: -  
 SIZE: 0 CASE CODE (DRAWING NO): A100779C=1757691  
 RESTRICTED TO: -

CUSTOMER DRAWING SCALE: 3:2 SHEET 1 OF 2 REV: F



THIS DRAWING IS A CONTROLLED DOCUMENT.		REV: 2-7-05	DATE: 2-14-05	TE Connectivity
DESIGNED BY: C.C. THOMAS		DATE: 2-14-05	DATE: 2-14-05	
DRAWN BY: P. HOGAN		DATE: 2-14-05	DATE: 2-14-05	RCPT ASSY, SIZE 2, SEALED, ARINC 600 (C4/120T2/13C2)
CHECKED BY: P. HOGAN		DATE: 2-14-05	DATE: 2-14-05	
TOLERANCE UNLESS OTHERWISE SPECIFIED:		APPLICATION SPEC		
DIMENSIONS: 0 DEC = .0005, 1 DEC = .005, 2 DEC = .005, 3 DEC = .005, 4 DEC = .005, 5 DEC = .005, 6 DEC = .005, 7 DEC = .005, 8 DEC = .005, 9 DEC = .005, ANGLE = .005, FINISH = .005		RESTRICTED TO		
MATERIAL: SEE TABLE		REV: 1	DATE: 00779	SCALE: 3:2
SEE TABLE		REV: 1	DATE: 00779	SHEET: 2 OF 2
CUSTOMER DRAWING		REV: F		

单击下面可查看定价，库存，交付和生命周期等信息

[>>TE Connectivity\(泰科\)](#)