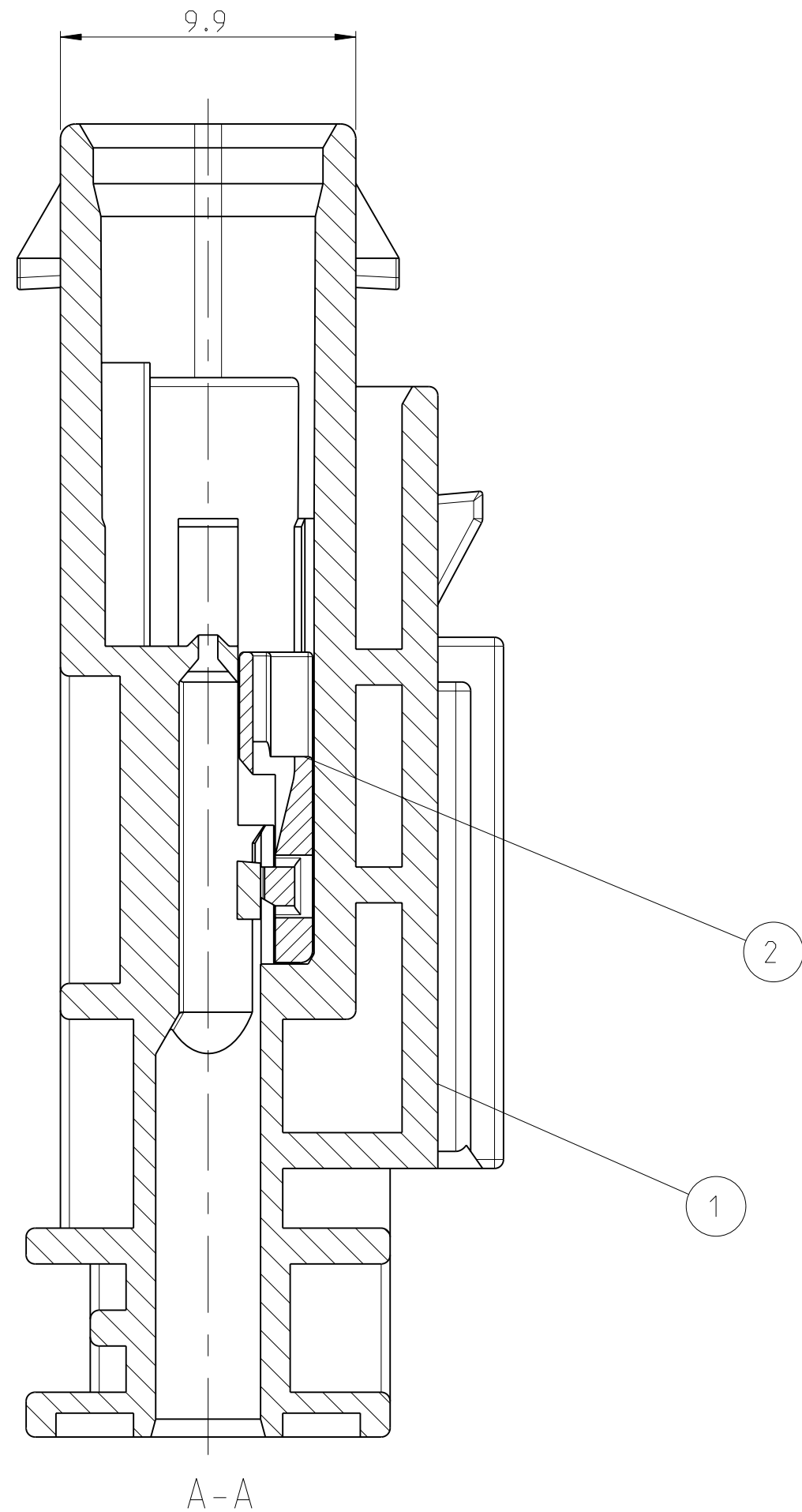
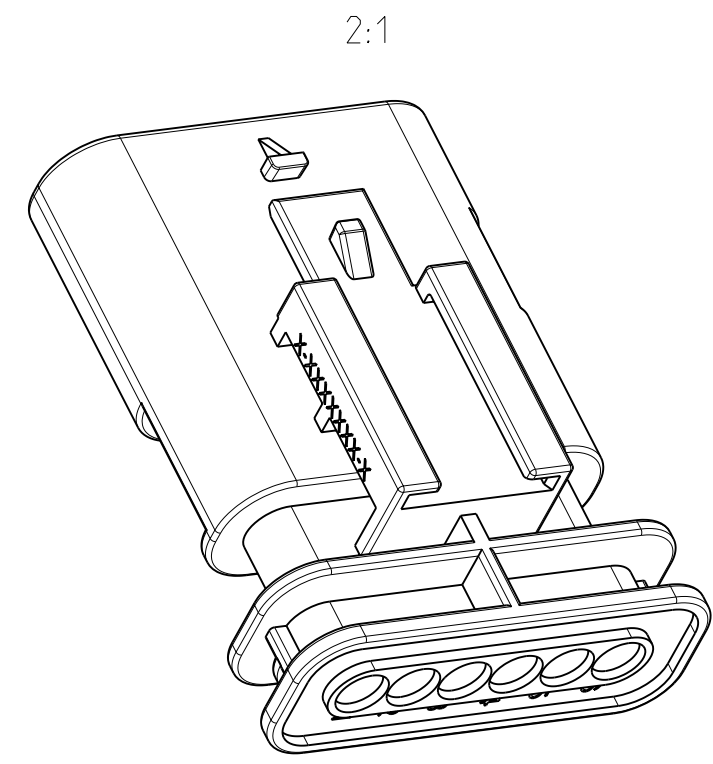
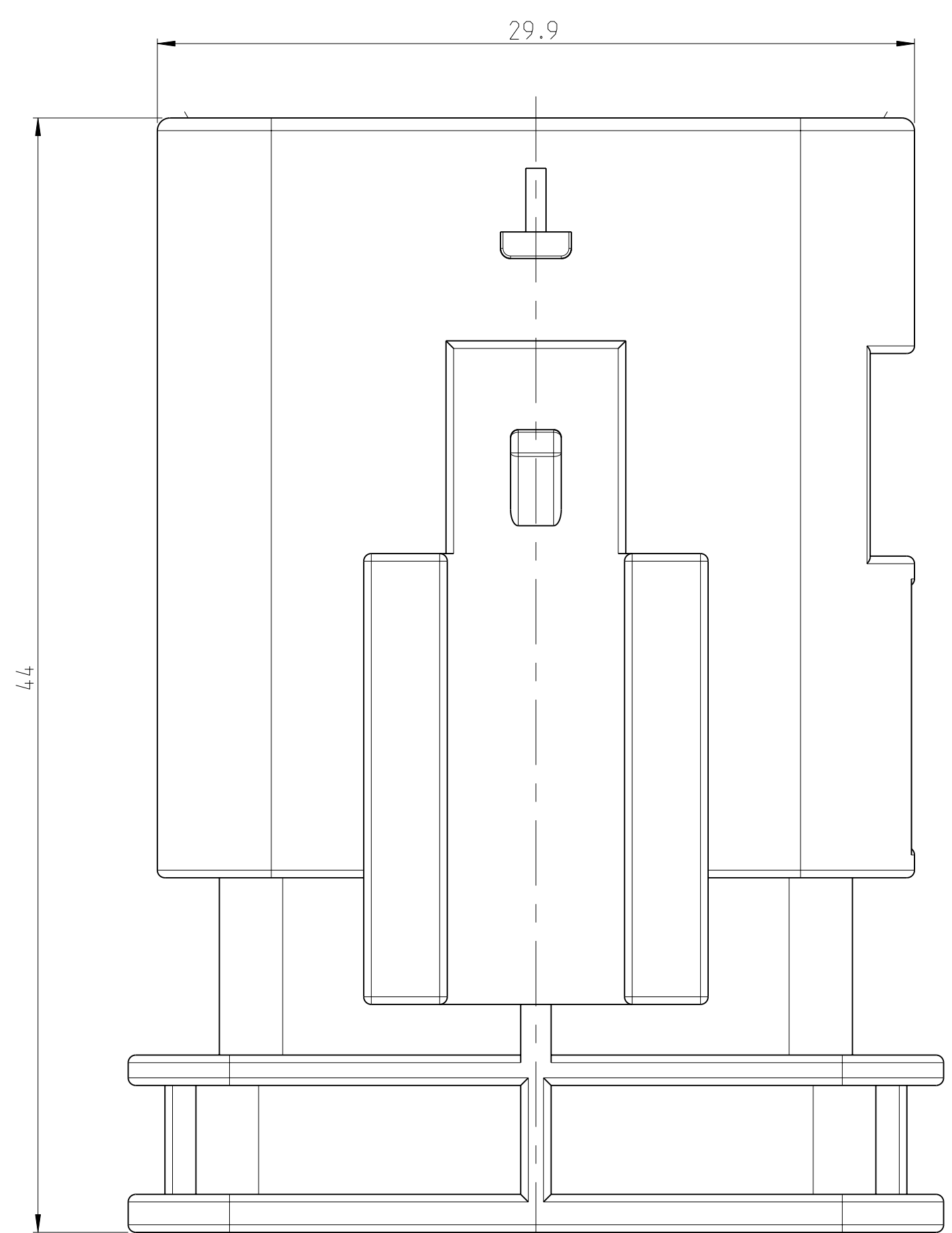
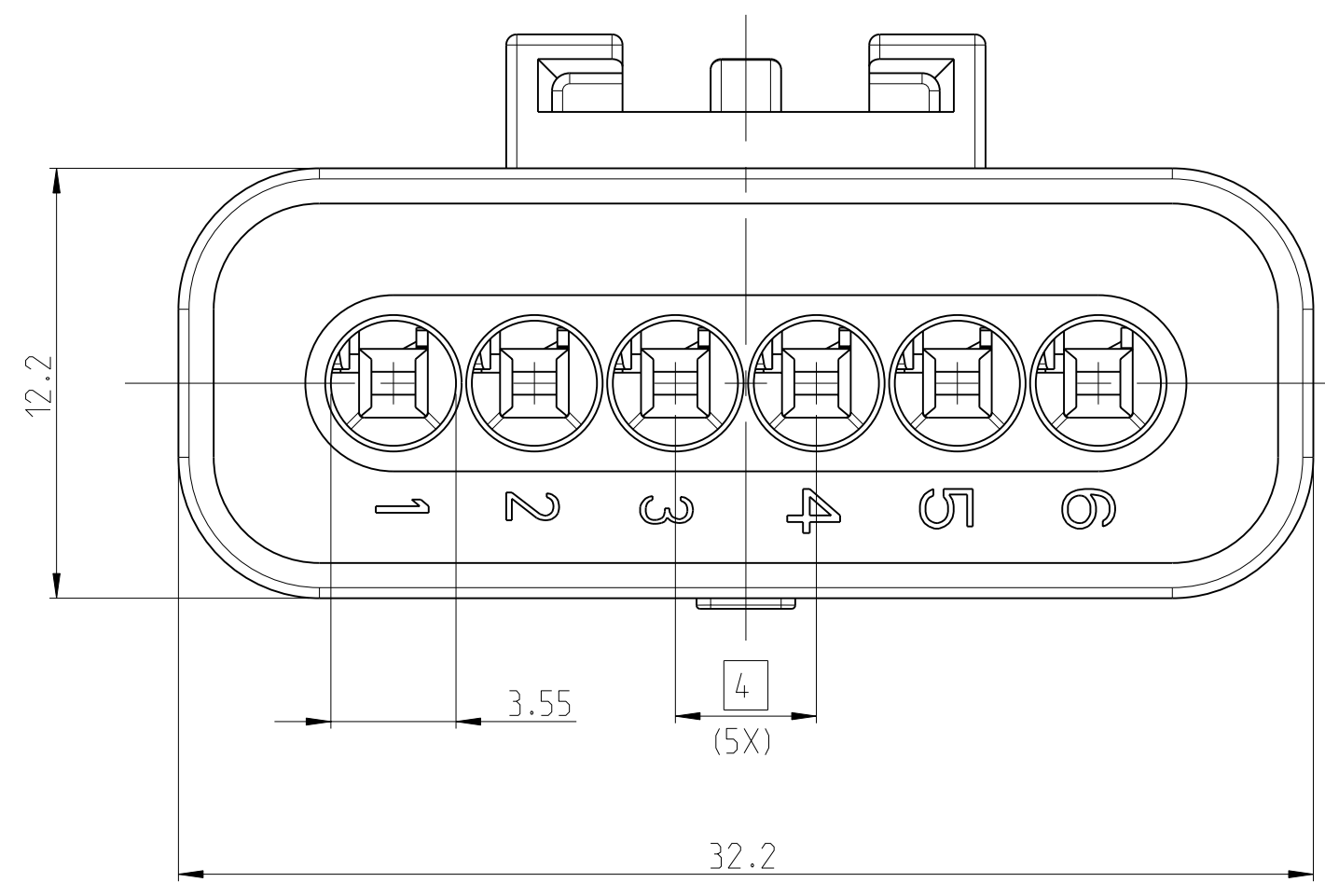
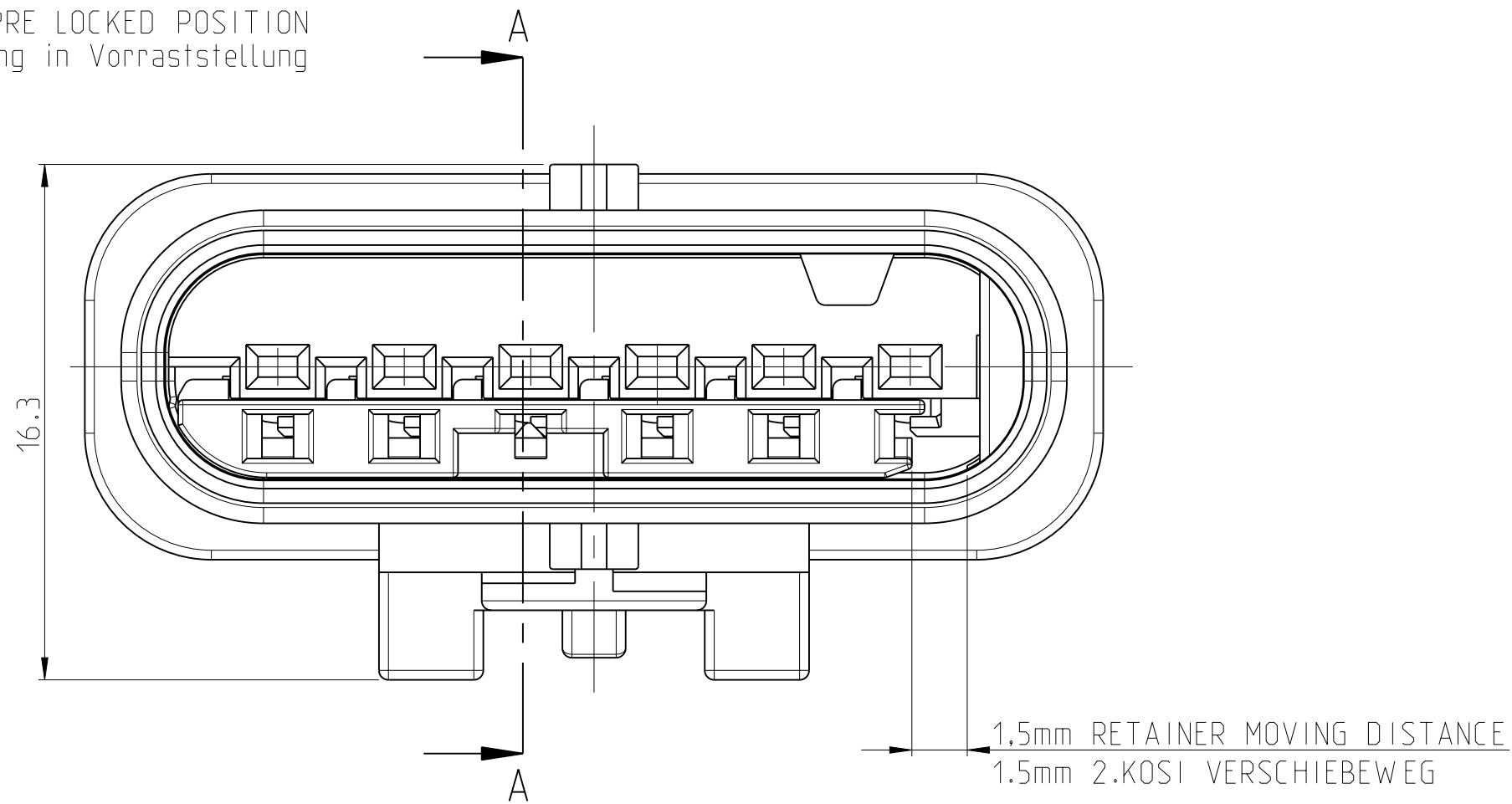


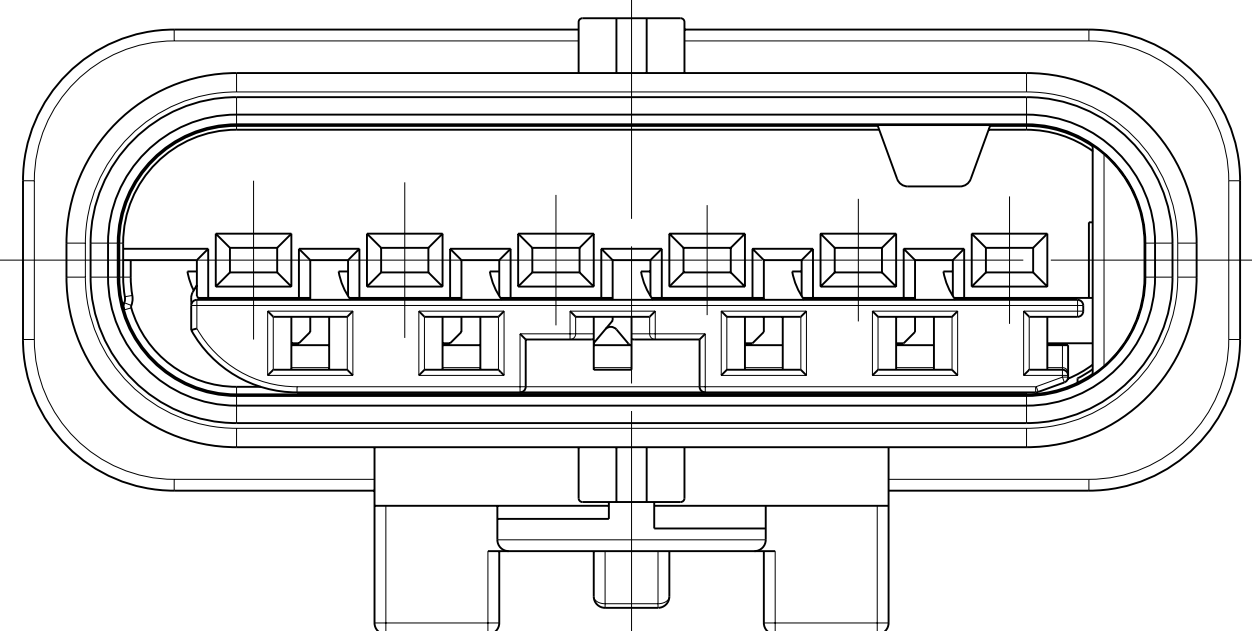
SHOWN 1-2141324-1



RETAINER IN PRE LOCKED POSITION
Kontaktsicherung in Vorraststellung

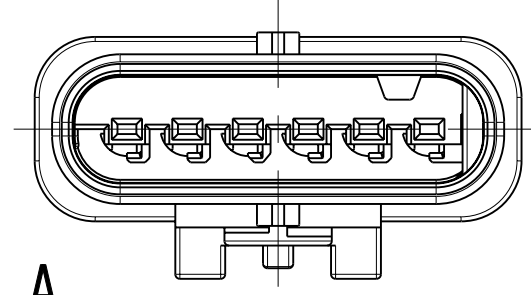


RETAINER IN FINAL LOCKED POSITION
2. Kontaktsicherung in Endraststellung

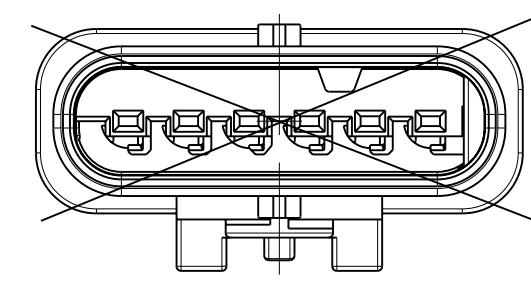


RETAINER MOVING DIRECTION
2. Kontaktsicherung Verschiebeweg

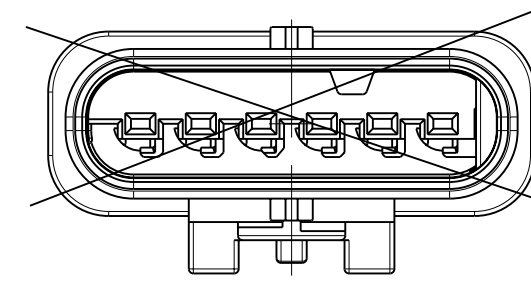
CODINGS 2:1



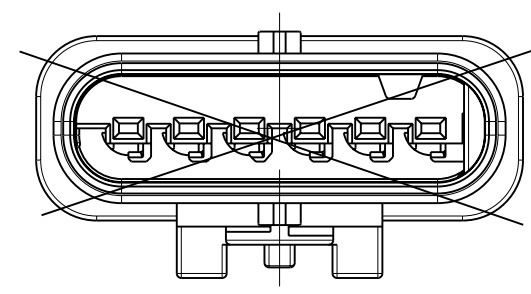
A
1-2141324-1
(BLACK)
1-2141324-4
(YELLOW)



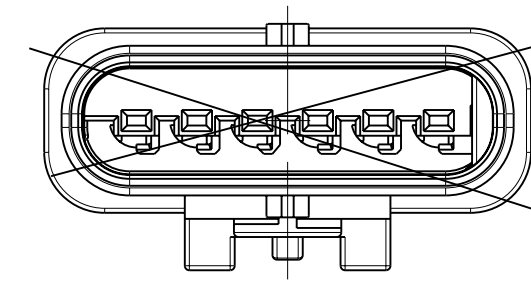
B
2-2141324-1



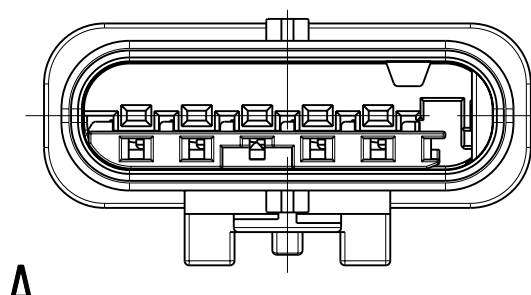
C
3-2141324-1



D
4-2141324-1

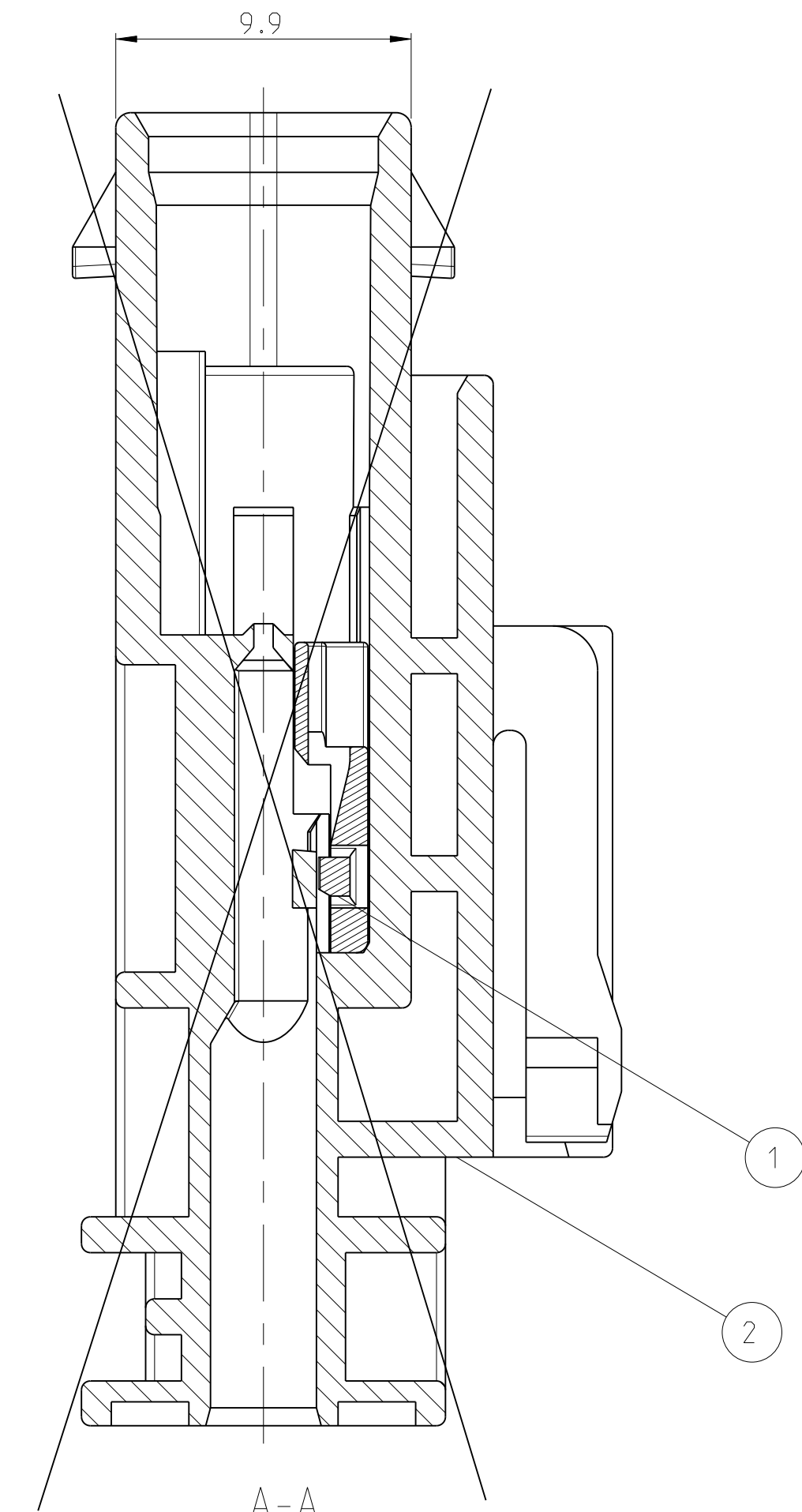
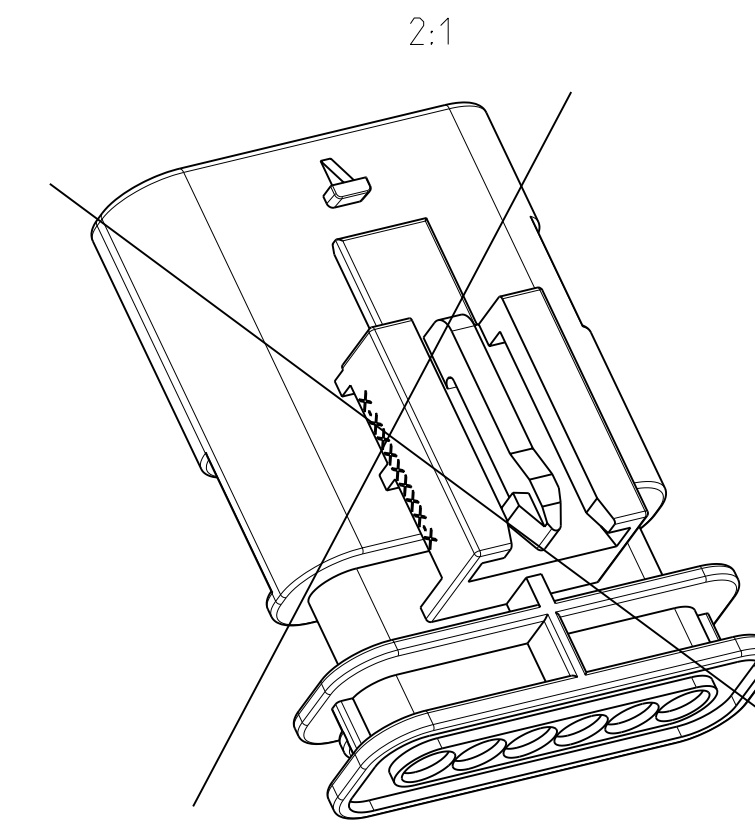
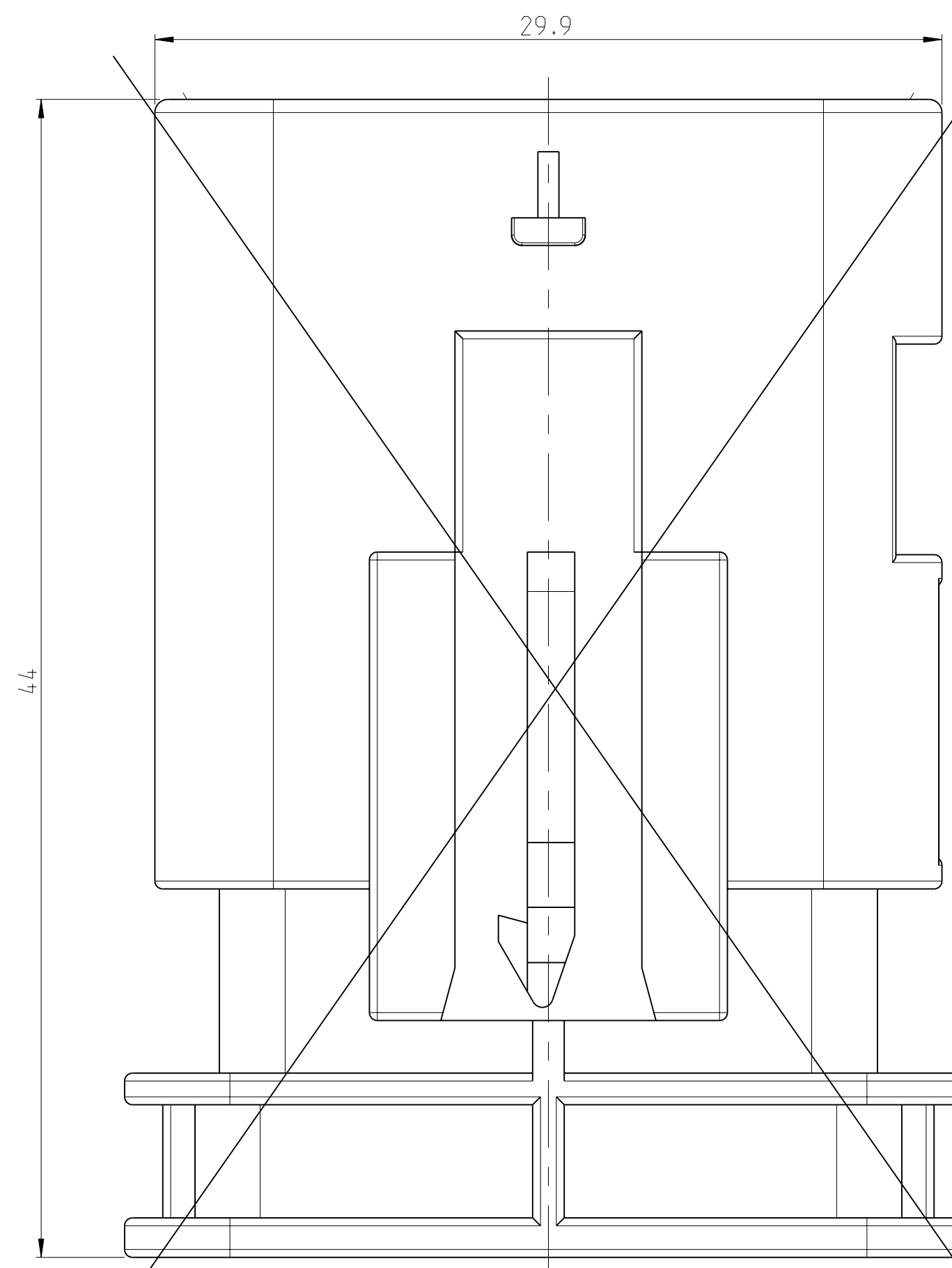
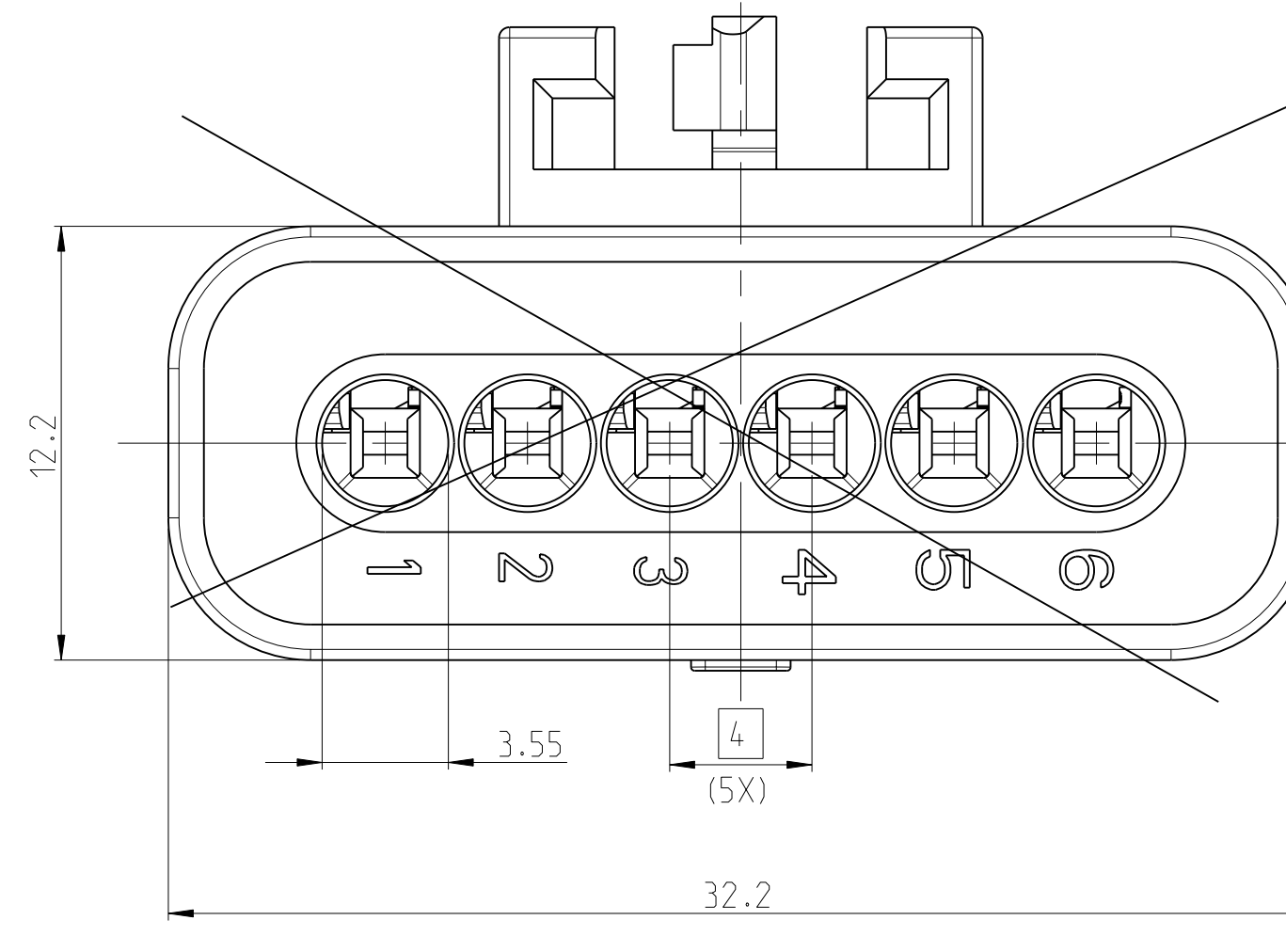


Z
5-2141324-1

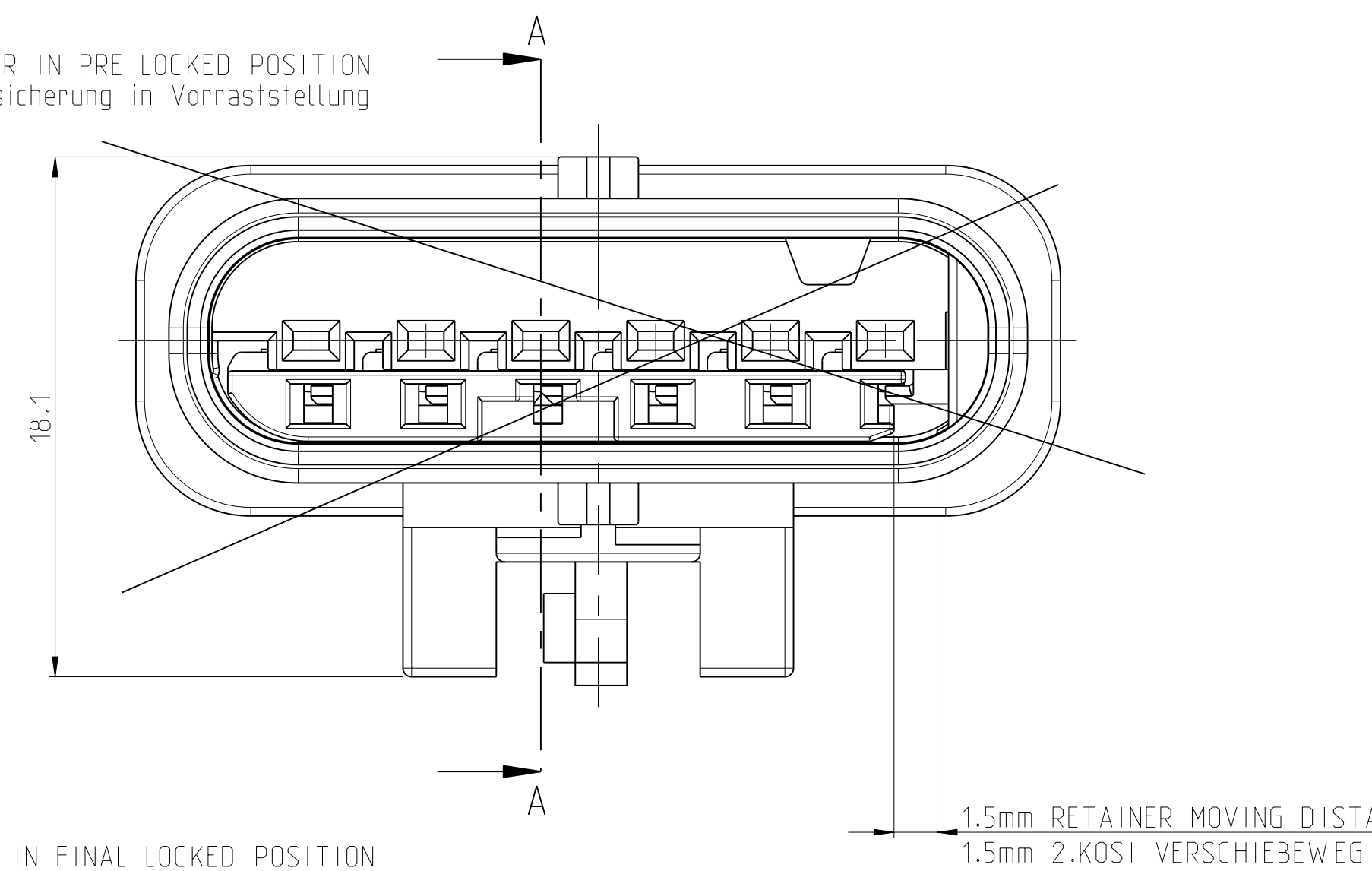


AZ
A
1-2141324-5
5POS.
(YELLOW)

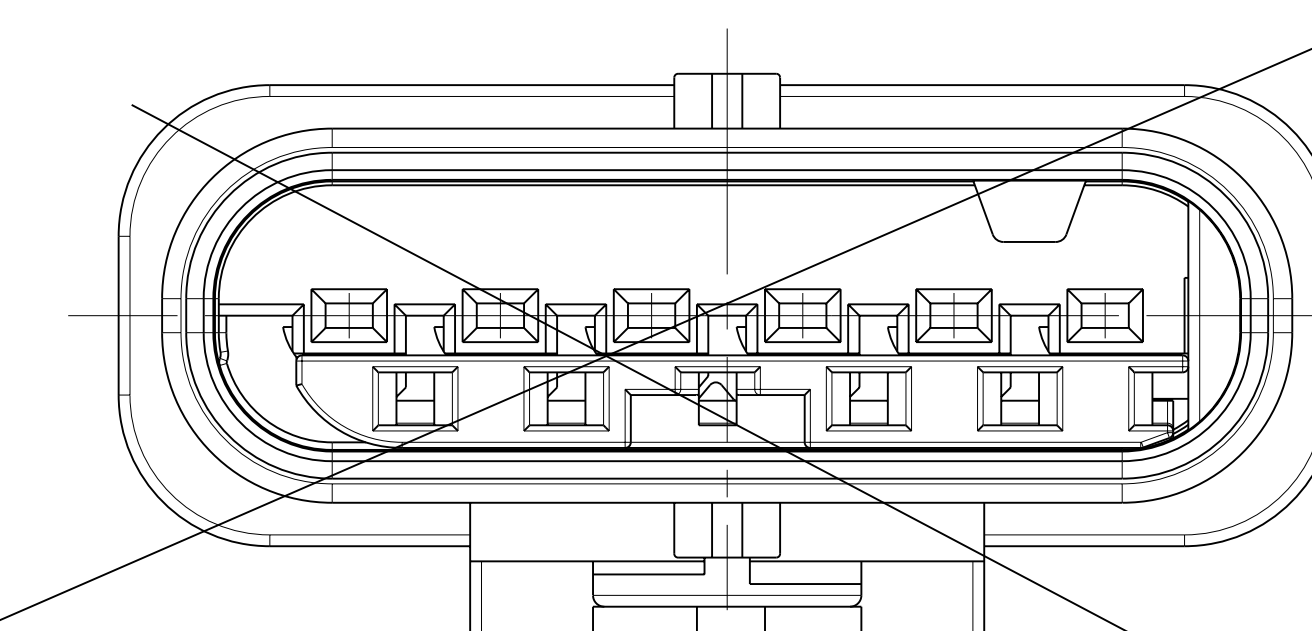
~~SHOWN 1-2141324-2~~



RETAINER IN PRE LOCKED POSITION
Kontaktsicherung in Vorraststellung



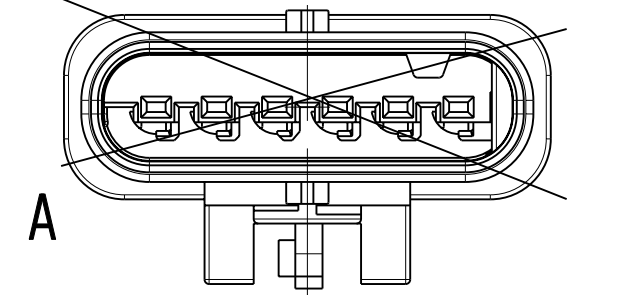
RETAINER IN FINAL LOCKED POSITION
2.Kontaktsicherung in Endraststellung



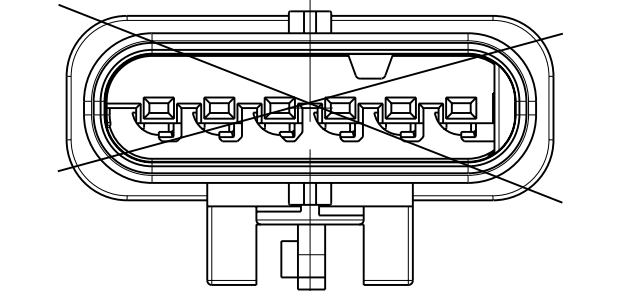
RETAINER MOVING DIRECTION
2.Kontaktsicherung Verschiebeweg

REV.	DATE	BY	CHKD.	APPD.
A	18AUG2010	MT	HR	
A1	08NOV2010	MT	HR	
A2	24JAN2011	MT	HR	

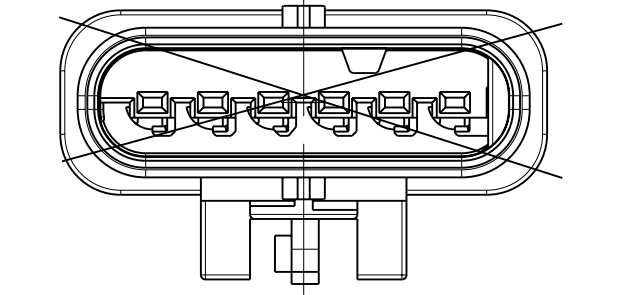
CODINGS 2:1



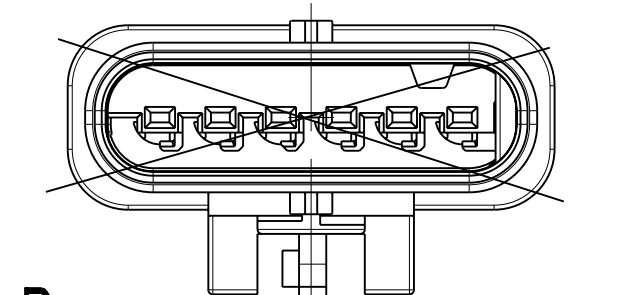
A
1-2141324-2



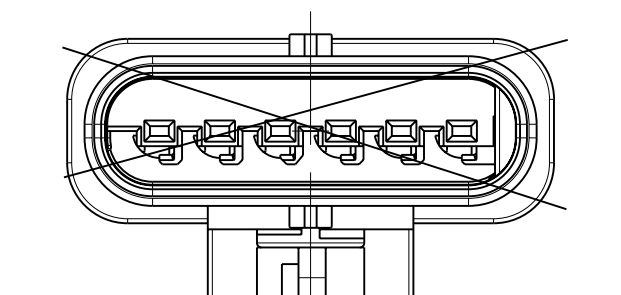
B
2-2141324-2



C
3-2141324-2



D
4-2141324-2



Z
5-2141324-2

TE-PIN TERMINALS	WIRE RANGE	TE-PIN SINGLE WIRE SEAL	TE-PIN BLIND PLUG
1718756	0.14 - 0.22mm ²	967067-2	967056-1
1718758	0.25 - 0.35mm ²	967067-2	
1718760	0.5 - 0.75mm ²	967067-1	
1718762	1mm ²	967067-1	

USED MCON 12mm LL MALE TERMINALS AND SEALS
 TERMINAL TE-APPLICATION SPEC.: 114-18464

TE - PASSENDE BUCHSENHSG. SUITABLE FEMALE HSG.	TE - Bestell-Nr. ORDER-NO.	ASSY REV. CODE	Benennung TITLE	QTY	Benennung Einzelteil TITLE	Werkstoff MATERIAL	Oberflaeche/Farbe SURFACE/CLOUR	Pos. ITEM
-	5-2141324-2	A	Z	1	Kontaktsicherung BE-TAINER	PA66-GF35	violett/VIOLET	2
-	4-2141324-2	A	D	1	Stiftgehäuse 6pol. MALE HOUSING 6POS.	PBT-GF30	schwarz/BLACK	1z
-	3-2141324-2	A	C	1	Kontaktsicherung BE-TAINER	PA66-GF35	violett/VIOLET	2
-	2-2141324-2	A	B	1	Stiftgehäuse 6pol. MALE HOUSING 6POS.	PBT-GF30	schwarz/BLACK	1d
1-1670949-1	1-2141324-2	A	A	1	Kontaktsicherung BE-TAINER	PA66-GF35	violett/VIOLET	2
1-1670949-1	1-2141324-2	A	A	1	Stiftgehäuse 6pol. MALE HOUSING 6POS.	PBT-GF30	schwarz/BLACK	1a

TE - PASSENDE BUCHSENHSG. SUITABLE FEMALE HSG.	TE - Bestell-Nr. ORDER-NO.	ASSY REV. CODE	Benennung TITLE	QTY	Benennung Einzelteil TITLE	Werkstoff MATERIAL	Oberflaeche/Farbe SURFACE/CLOUR	Pos. ITEM
-	1-2141324-5	A	A	1	Kontaktsicherung BE-TAINER	PA66-GF35	violett/VIOLET	2
1-1670949-1	1-2141324-4	A	A	1	Stiftgehäuse 5pol. MALE HOUSING 5POS.	PBT-GF30	gelb/YELLOW	1a
1-1670949-1	1-2141324-4	A	A	1	Kontaktsicherung BE-TAINER	PA66-GF35	violett/VIOLET	2
1-1670949-1	1-2141324-4	A	A	1	Stiftgehäuse 6pol. MALE HOUSING 6POS.	PBT-GF30	gelb/YELLOW	1a
1-1670949-1	1-2141324-4	A	A	1	Kontaktsicherung BE-TAINER	PA66-GF35	violett/VIOLET	2
1-1670949-1	1-2141324-1	A	Z	1	Stiftgehäuse 6pol. MALE HOUSING 6POS.	PBT-GF30	schwarz/BLACK	1z
1-1670949-1	1-2141324-1	A	B	1	Kontaktsicherung BE-TAINER	PA66-GF35	violett/VIOLET	2
1-1670949-1	1-2141324-1	A	B	1	Stiftgehäuse 6pol. MALE HOUSING 6POS.	PBT-GF30	schwarz/BLACK	1c
1-1670949-1	1-2141324-1	A	B	1	Kontaktsicherung BE-TAINER	PA66-GF35	violett/VIOLET	2
1-1670949-1	1-2141324-1	A	A	1	Stiftgehäuse 6pol. MALE HOUSING 6POS.	PBT-GF30	schwarz/BLACK	1a

DIMENSIONS:	TOLERANCES UNLESS OTHERWISE SPECIFIED:	SCALE	DATE	BY	CHKD.	APPD.
mm	FRACTIONAL DECIMAL	5:1	18AUG2010	M. TRAJKOV	H. RIPPER	
0.15	0.15					
0.25	0.25					
0.5	0.5					
1	1					
MATERIAL:	FINISH:	REMARKS:	CUSTOMER DRAWING			

单击下面可查看定价，库存，交付和生命周期等信息

[>>TE Connectivity\(泰科\)](#)