

4

3

2

1

THIS DRAWING IS UNPUBLISHED.

RELEASED FOR PUBLICATION

20

LOC

DIST

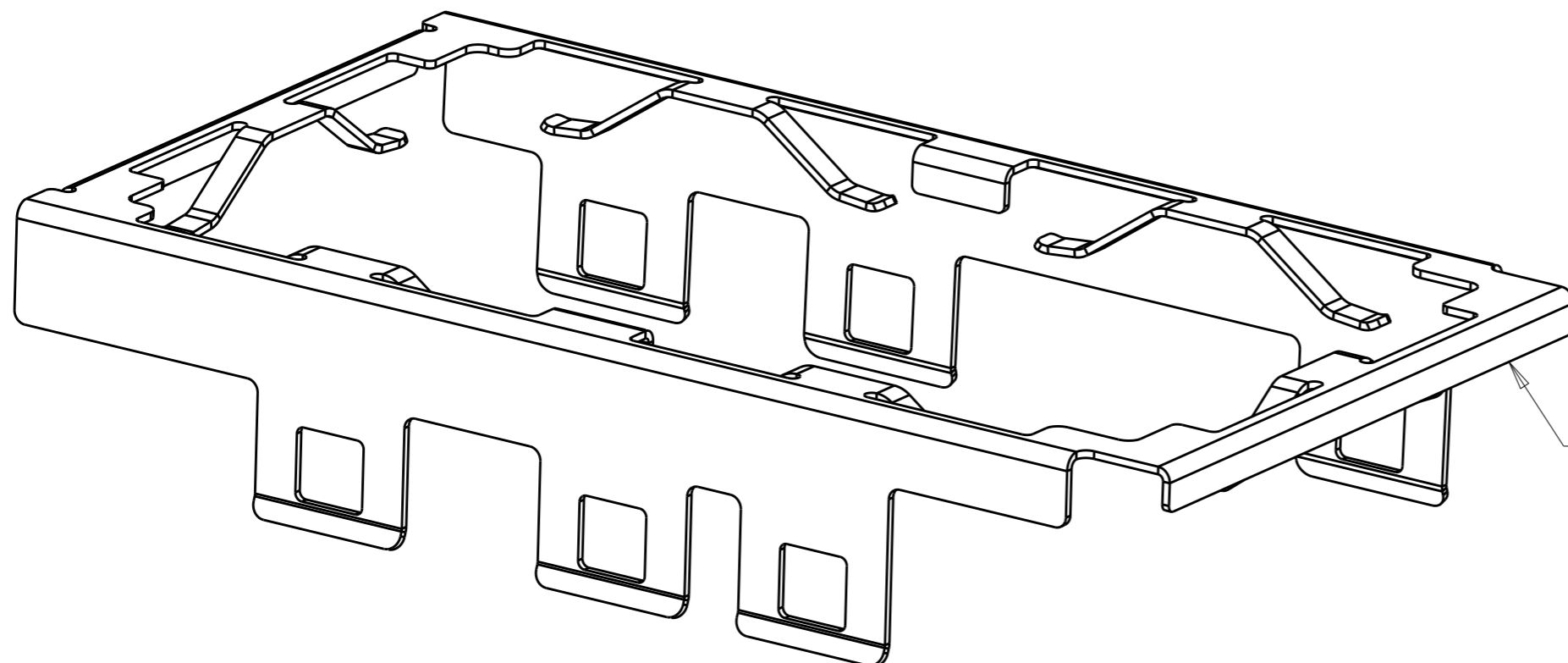
REVISIONS

© COPYRIGHT 20 BY - ALL RIGHTS RESERVED.

GP

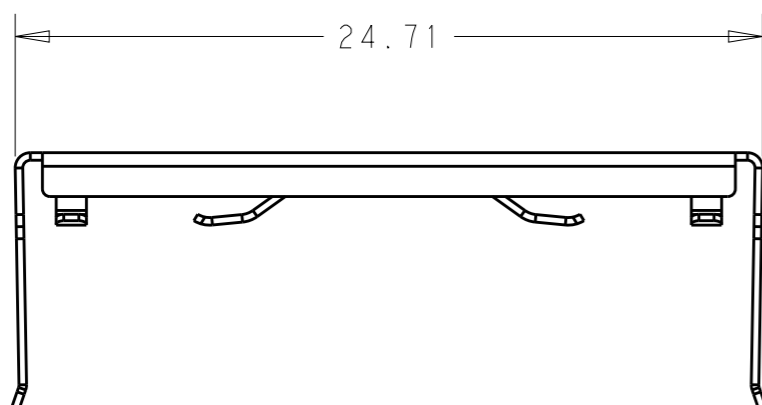
00

P	LTR	DESCRIPTION	DATE	DWN	APVD
	A	RELEASED PER ECO-13-017577	03DEC2013	CJV	SLB

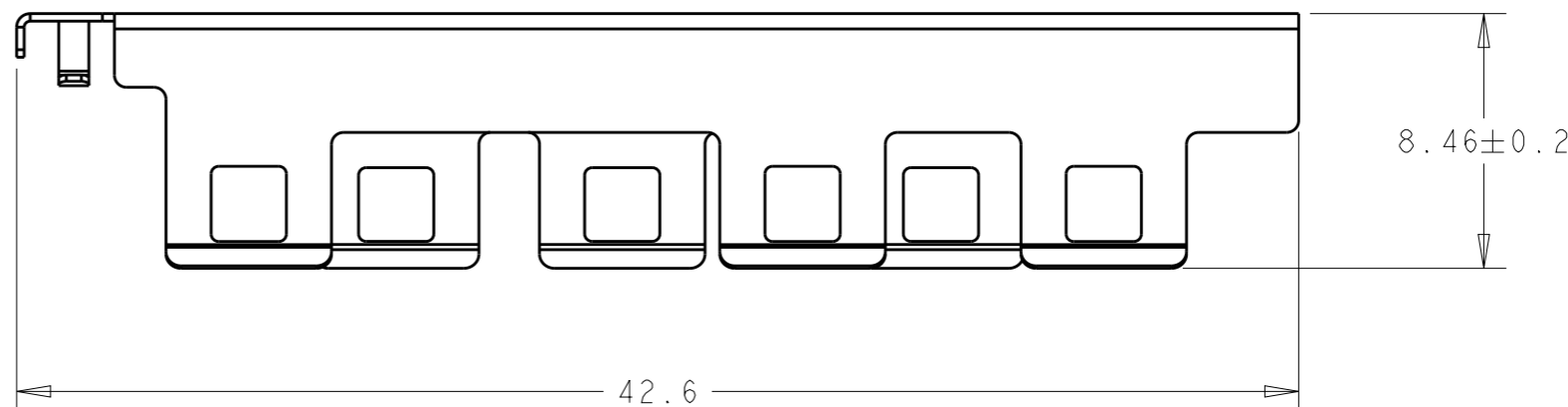


HEAT SINK CLIP
STAINLESS STEEL

2149086-2
SCALE 5:1



24.71



42.6

8.46 ± 0.2

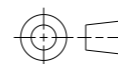
2149086-3

PART
NUMBER

THIS DRAWING IS A CONTROLLED DOCUMENT.

DIMENSIONS:

mm



TOLERANCES UNLESS OTHERWISE SPECIFIED:

- 0 PLC ±0.1
- 1 PLC ±0.1
- 2 PLC ±0.1
- 3 PLC ±0.1
- 4 PLC ±0.1
- ANGLES ±

MATERIAL

FINISH

DWN 03AUG2010

M.E. COWHER

CHK 03AUG2010

M.D. MORRISON

APVD 03AUG2010

M.D. MORRISON

PRODUCT SPEC

APPLICATION SPEC

WEIGHT

CUSTOMER DRAWING



TE Connectivity

NAME

CLIP, HEAT SINK,
84 POSITION, CXP

SIZE CAGE CODE DRAWING NO RESTRICTED TO

A3 00779 C-2149086

SCALE 4:1 SHEET 1 OF 1 REV A

单击下面可查看定价，库存，交付和生命周期等信息

[>>TE Connectivity\(泰科\)](#)