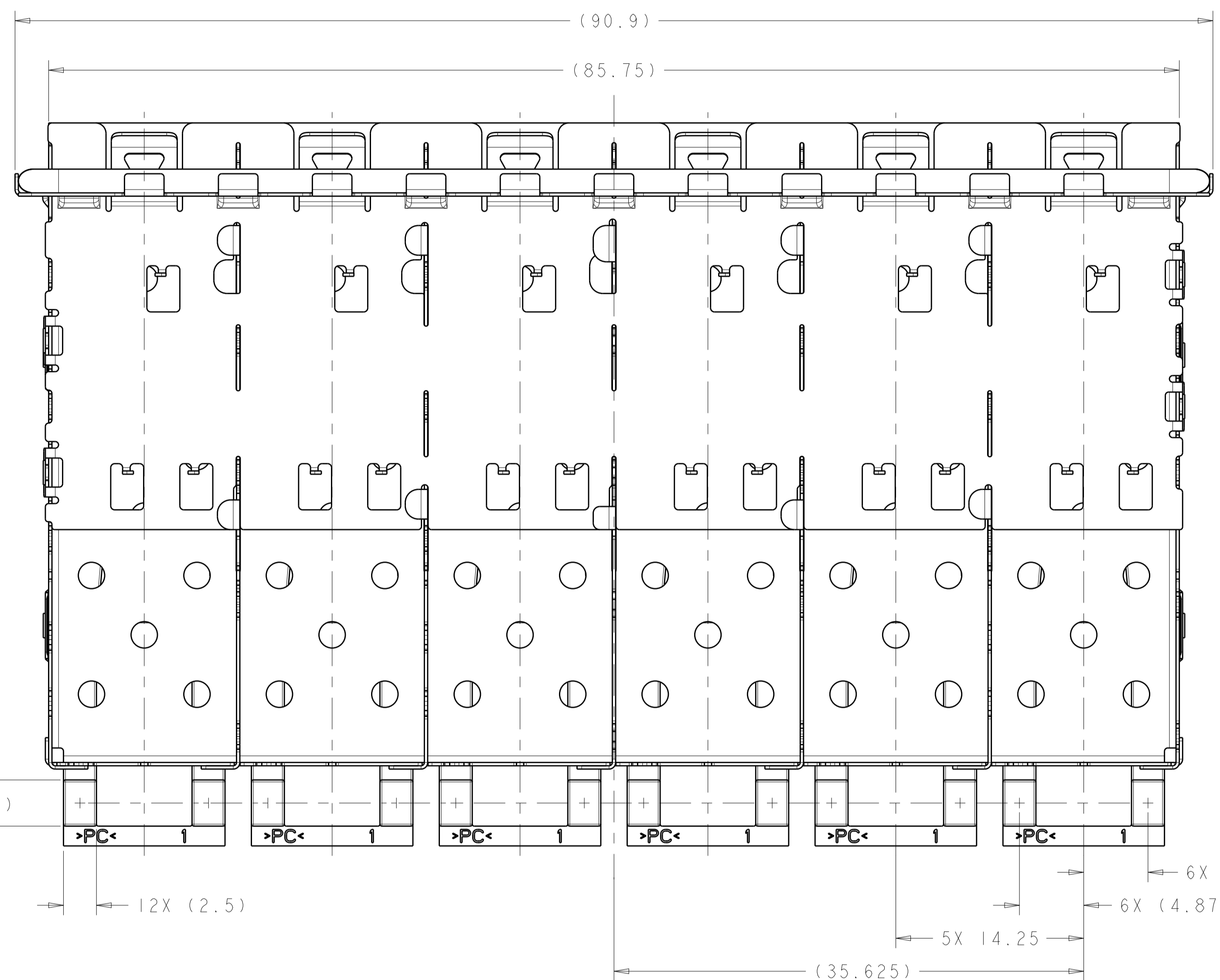
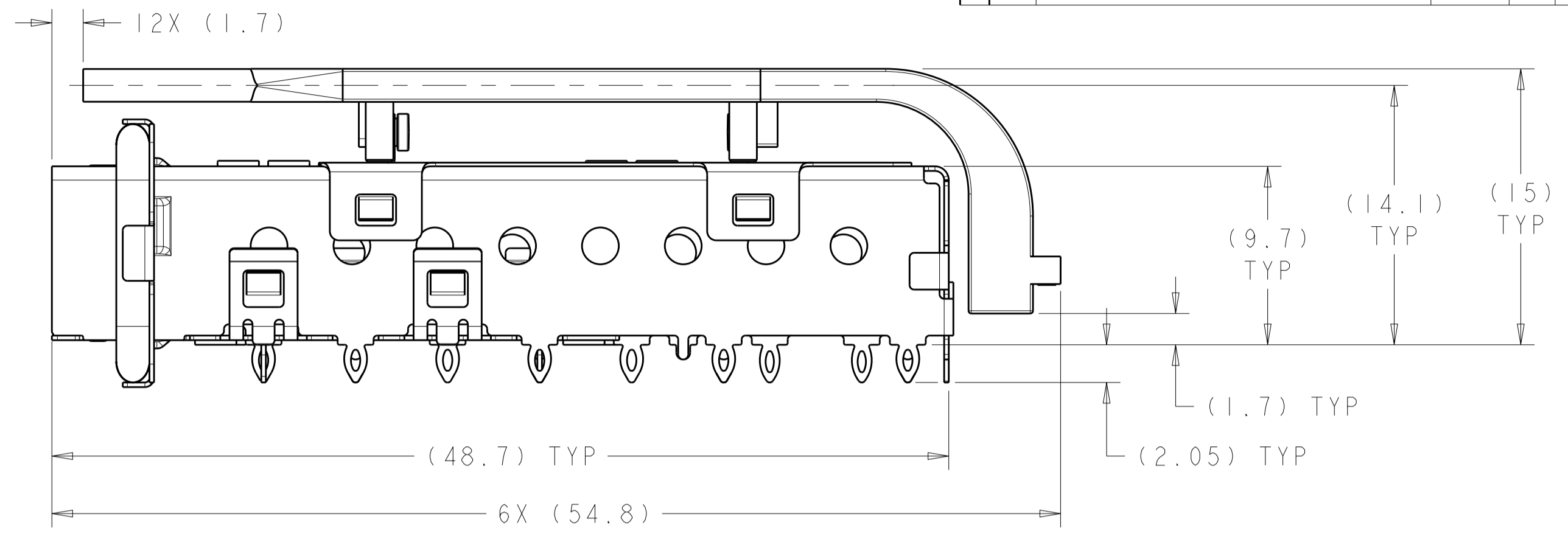
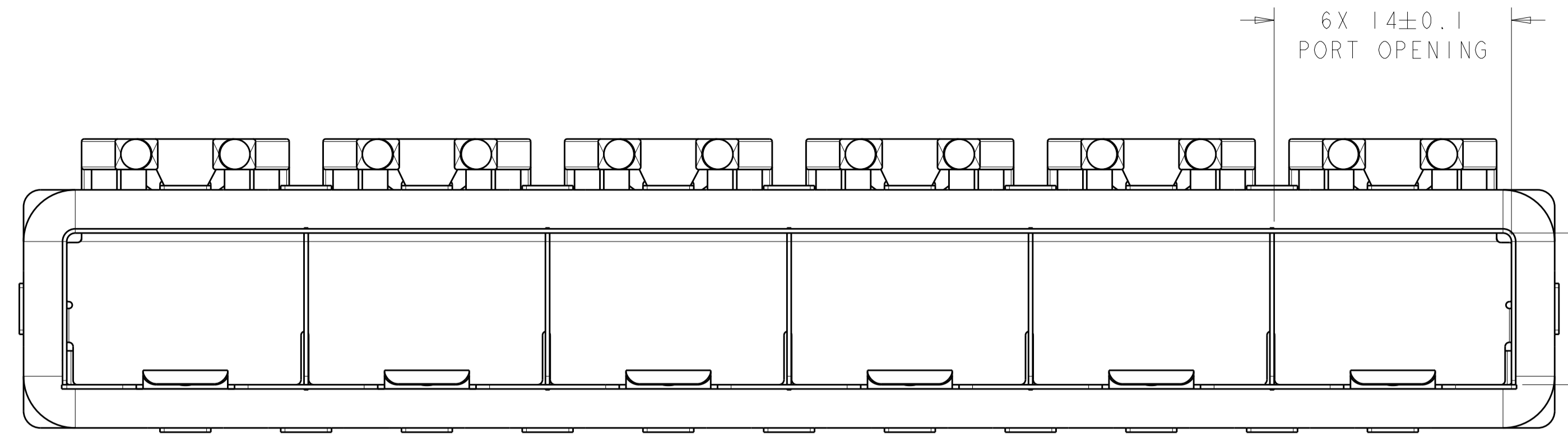
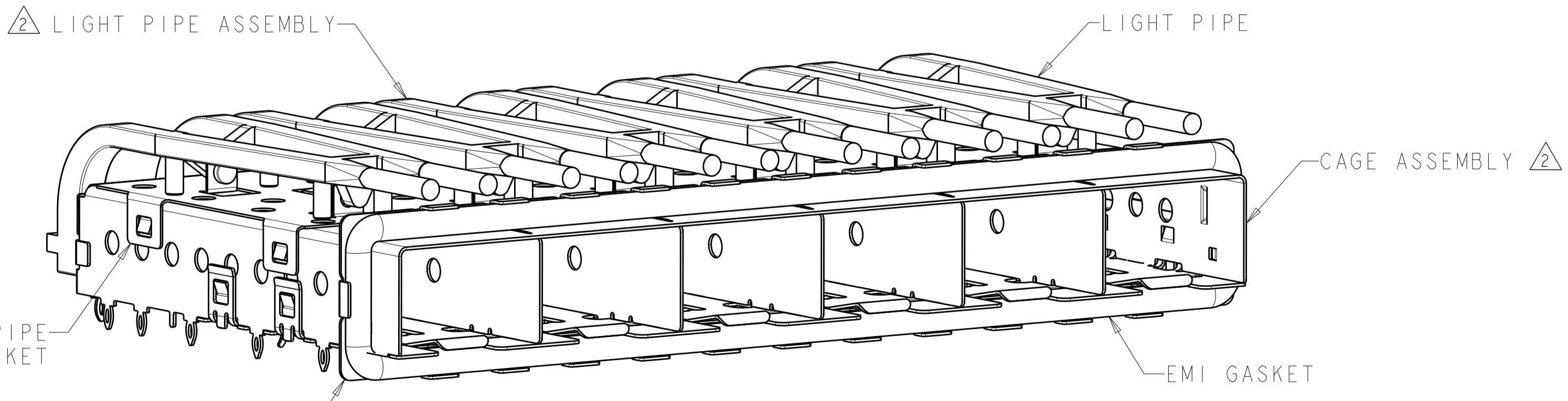


LOC	DIST	REVISIONS			
GP	00	REV	DATE	BY	APPV
D		REVISED PER ECO-12-014021	16DEC2012	JY	AC



- 1 MATERIAL:
CAGE ASSEMBLY - 0.25 THICK NICKEL SILVER ALLOY
GASKET RETENTION PLATE - STAINLESS STEEL
GASKET - PLATED FILLED SILICONE
LIGHT PIPE BRACKET - STAINLESS STEEL
LIGHT PIPE - POLYCARBONATE, CLEAR
- 2 2007181-1, CAGE ASSEMBLY, AND 2007182-1, LIGHT PIPE ASSEMBLY ARE PACKAGED TOGETHER AS A COMPLETED ASSEMBLY.
- 3. MATES WITH SFP MSA COMPLIANT TRANSCEIVERS.
- 4 PADS AND VIAS CHASSIS GROUND.
- 5. INTERPRETATION OF DATUM REFERENCE FRAME IN ACCORDANCE WITH SECT 4.4.1.1 OF ASME Y14.5M-1994.
- 6 MINIMUM PC BOARD THICKNESS = 1.50mm.
- 7 HOLE PATTERN REPEATS FOR EACH PORT. SPACING BETWEEN PORTS IS 14.25mm.
- 8 DATUM AND BASIC DIMENSION ESTABLISHED BY CUSTOMER.
- 9 REFERENCE APPLICATION SPEC. 114-13120, HOLE A, FOR RECOMMENDED DRILL HOLE DIAMETER AND PLATING THICKNESS.
- 10 REFERENCE APPLICATION SPEC. 114-13120, HOLE B, FOR RECOMMENDED DRILL HOLE DIAMETER AND PLATING THICKNESS.
- 11. PRODUCT COMPLIES WITH SPECIFICATION SFF-8433 IMPROVED PLUGGABLE FORM FACTOR FOR SFP+ GANGED CAGES.

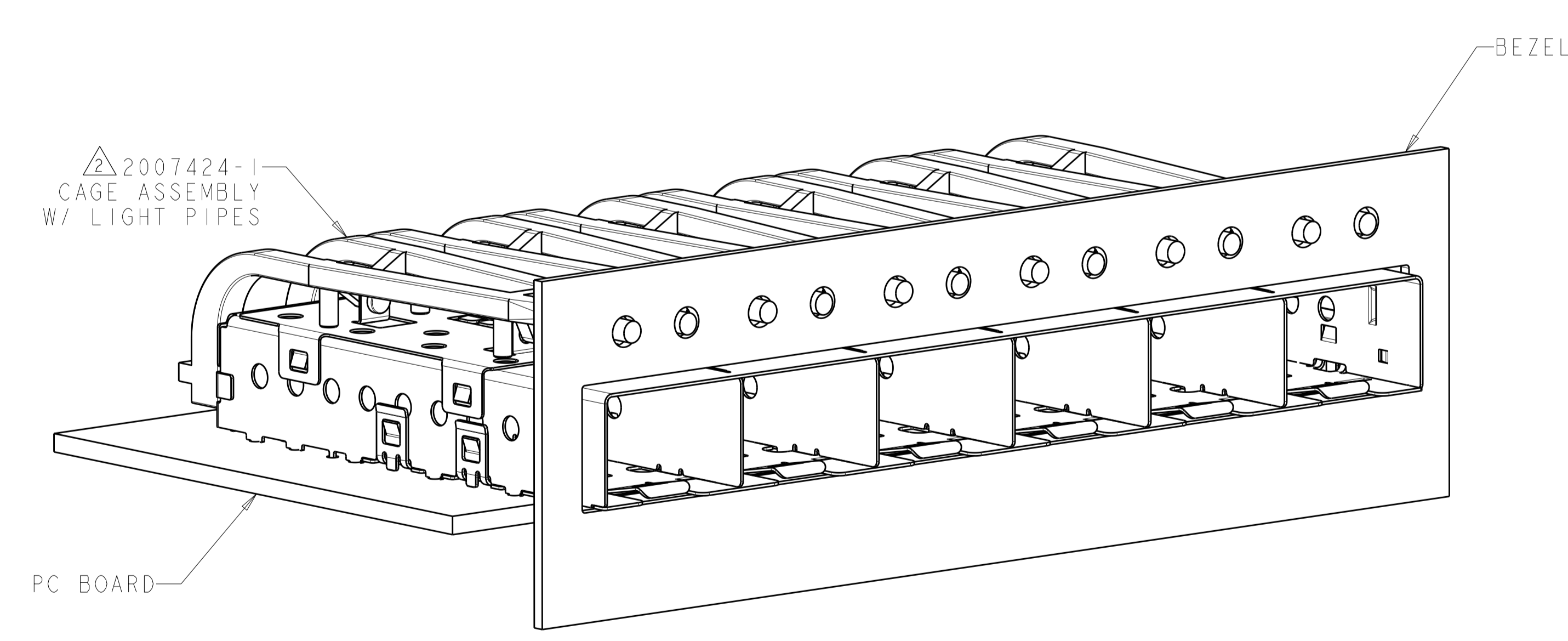
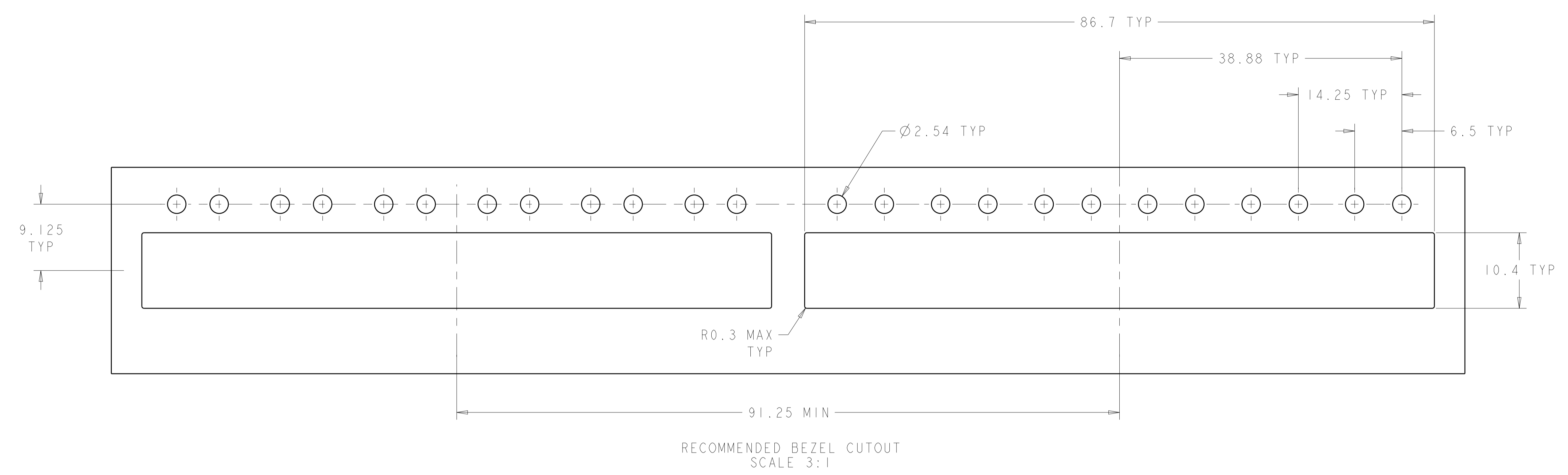


2007424-1
SCALE 3:1

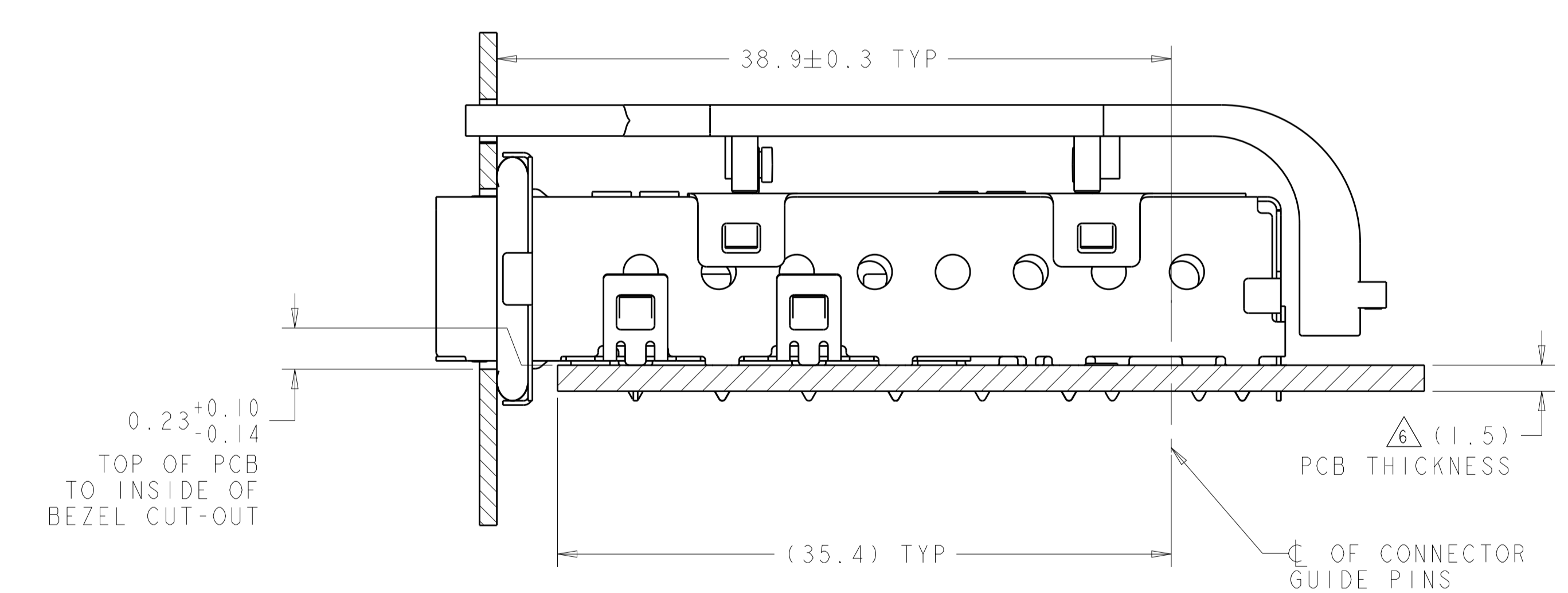
2007424-1
PART NUMBER

THIS DRAWING IS A CONTROLLED DOCUMENT.		OWN: Z.M. REAM 2NOV2007	TE Connectivity	
DIMENSIONS: mm		CHK: M.R. SCHMITT 2NOV2007		
TOLERANCES UNLESS OTHERWISE SPECIFIED:		APPV: R.H. WERTZ 2NOV2007	NAME: SFP+ 1X6 CAGE ASSEMBLY PRESS FIT, EMI GASKET WITH LIGHT PIPES	
0 PLC ±0.1		PRODUCT SPEC: 108.2364	SIZE: CAGE CODE DRAWING NO. RESTRICTED TO	
1 PLC ±0.1		APPLICATION SPEC: 114-13120	A1 00779 ©=2007424	
2 PLC ±0.1		WEIGHT: -	SCALE: 4:1 SHEET 1 OF 3 REV D	
3 PLC ±0.1		Customer Drawing		
4 PLC ±0.1				
ANGLES ±1°				
FINISH: -				

LOC	DIST	REVISIONS			
GP	00	REV	DATE	BY	APPD
-	-	SEE SHEET 1	-	-	-



2007424-1
MOUNTED ON PC BOARD SHOWN
THRU RECOMMENDED BEZEL
SCALE 3:1

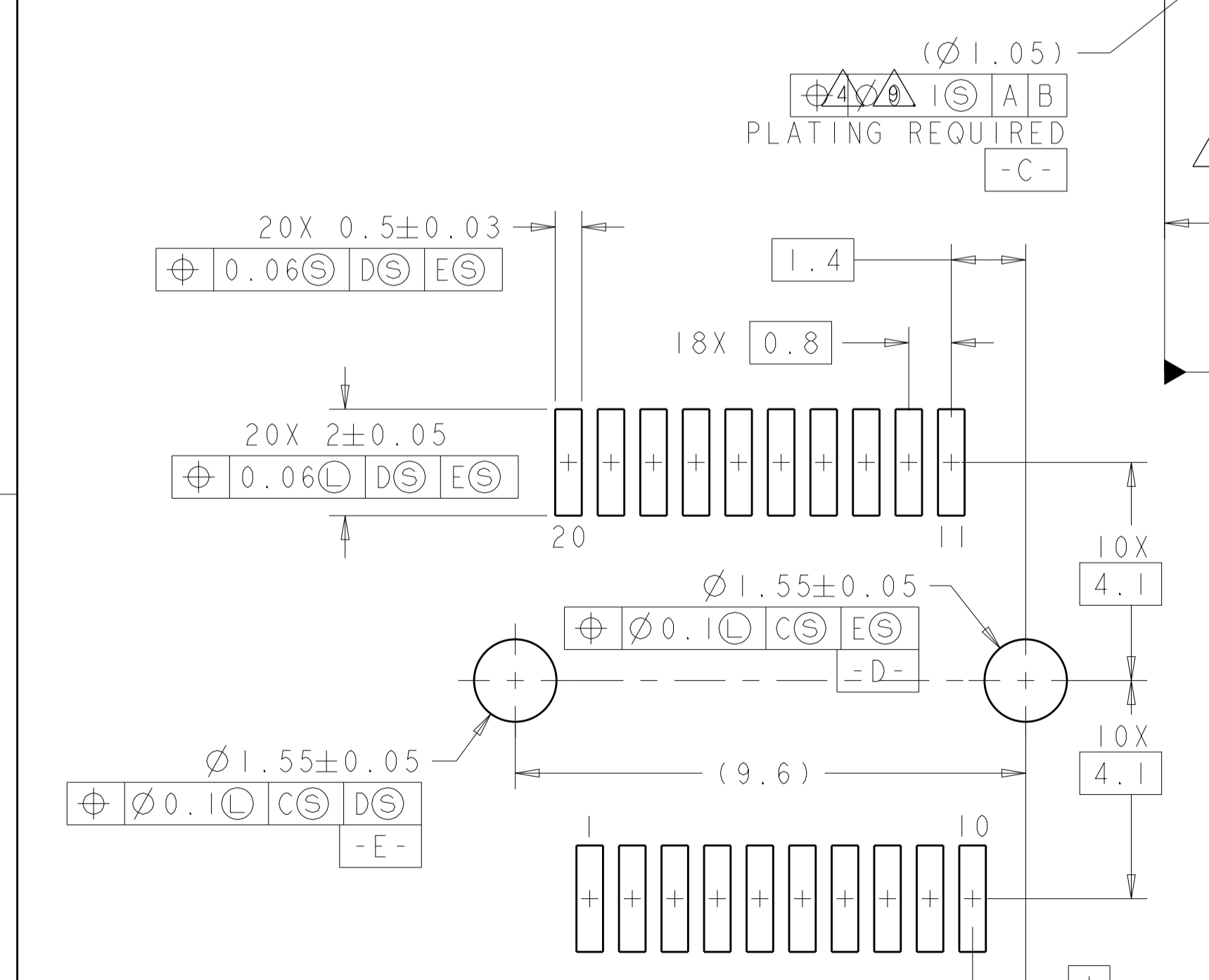
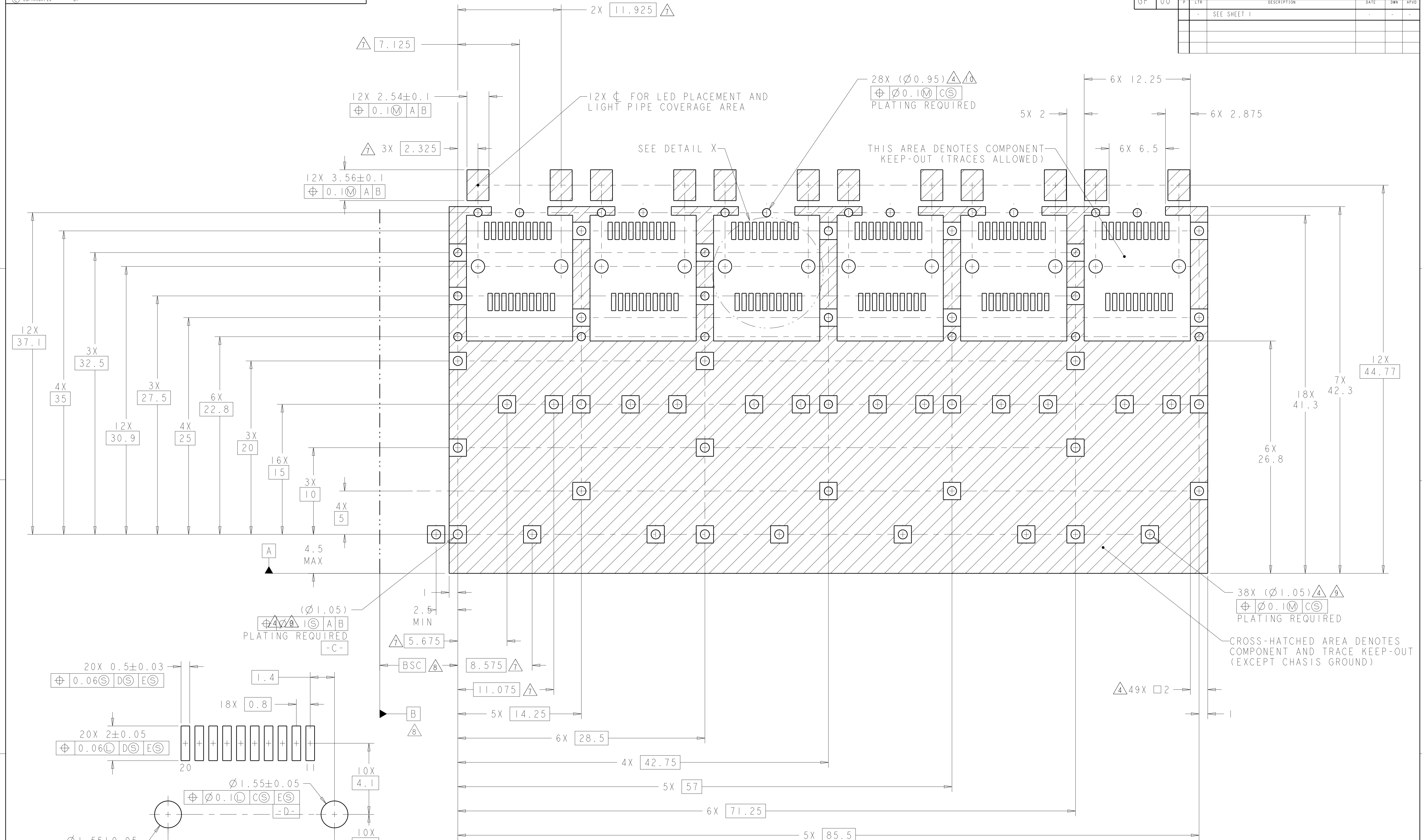


2007424-1
MOUNTED ON PC BOARD SHOWN
THRU RECOMMENDED BEZEL

THIS DRAWING IS A CONTROLLED DOCUMENT.		OWN Z. M. BEAM	2NOV2007		TE Connectivity
DIMENSIONS: mm		CHK M. R. SCHMITT	2NOV2007		
TOLERANCES UNLESS OTHERWISE SPECIFIED:		APVD R. H. WERTZ	2NOV2007	NAME SFP+ 1X6 CAGE ASSEMBLY PRESS FIT, EMI GASKET WITH LIGHT PIPES	
0 PLC ±0.1		PRODUCT SPEC		SIZE A1	
1 PLC ±0.1		APPLICATION SPEC		CAGE CODE 00779	
2 PLC ±0.1		108.2364		DRAWING NO 2007424	
3 PLC ±0.1		114-13120		RESTRICTED TO	
4 PLC ±0.1		WEIGHT		REV D	
ANGLES ±1°		Customer Drawing		SCALE 4:1 SHEET 2 OF 3	
FINISH		Customer Drawing		REV D	

LOC	DIST	REV	DATE	BY	APPV
GP	00				

REVISIONS			
NO.	DESCRIPTION	DATE	BY
1	SEE SHEET 1		



DETAIL X
RECOMMENDED PT CONNECTOR LAYOUT
6X INDIVIDUALLY
SCALE 10:1

THIS DRAWING IS A CONTROLLED DOCUMENT.		OWN: Z.M.BEAM 2NOV2007	TE Connectivity
DIMENSIONS: mm		CHK: M.B.SCHMITT 2NOV2007	
TOLERANCES UNLESS OTHERWISE SPECIFIED:		APVD: R.H.WERTZ 2NOV2007	
0 PLC ±0.1 1 PLC ±0.1 2 PLC ±0.1 3 PLC ±0.1 4 PLC ±0.1 ANGLES ±0.1°		PRODUCT SPEC: 108.2364 APPLICATION SPEC: 114-13120 WEIGHT: - Customer Drawing	
MATERIAL: -		SIZE: CAGE CODE DRAWING NO: A100779C=2007424	NAME: SFP+ 1X6 CAGE ASSEMBLY PRESS FIT, EMI GASKET WITH LIGHT PIPES RESTRICTED TO: - SCALE: 4:1 SHEET 3 OF 3 REV D

单击下面可查看定价，库存，交付和生命周期等信息

[>>TE Connectivity\(泰科\)](#)