

4

3

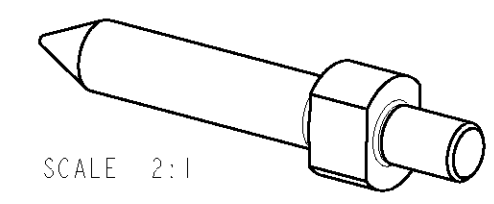
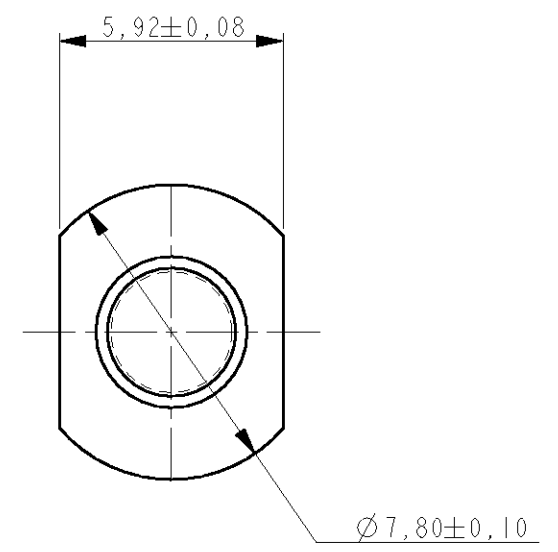
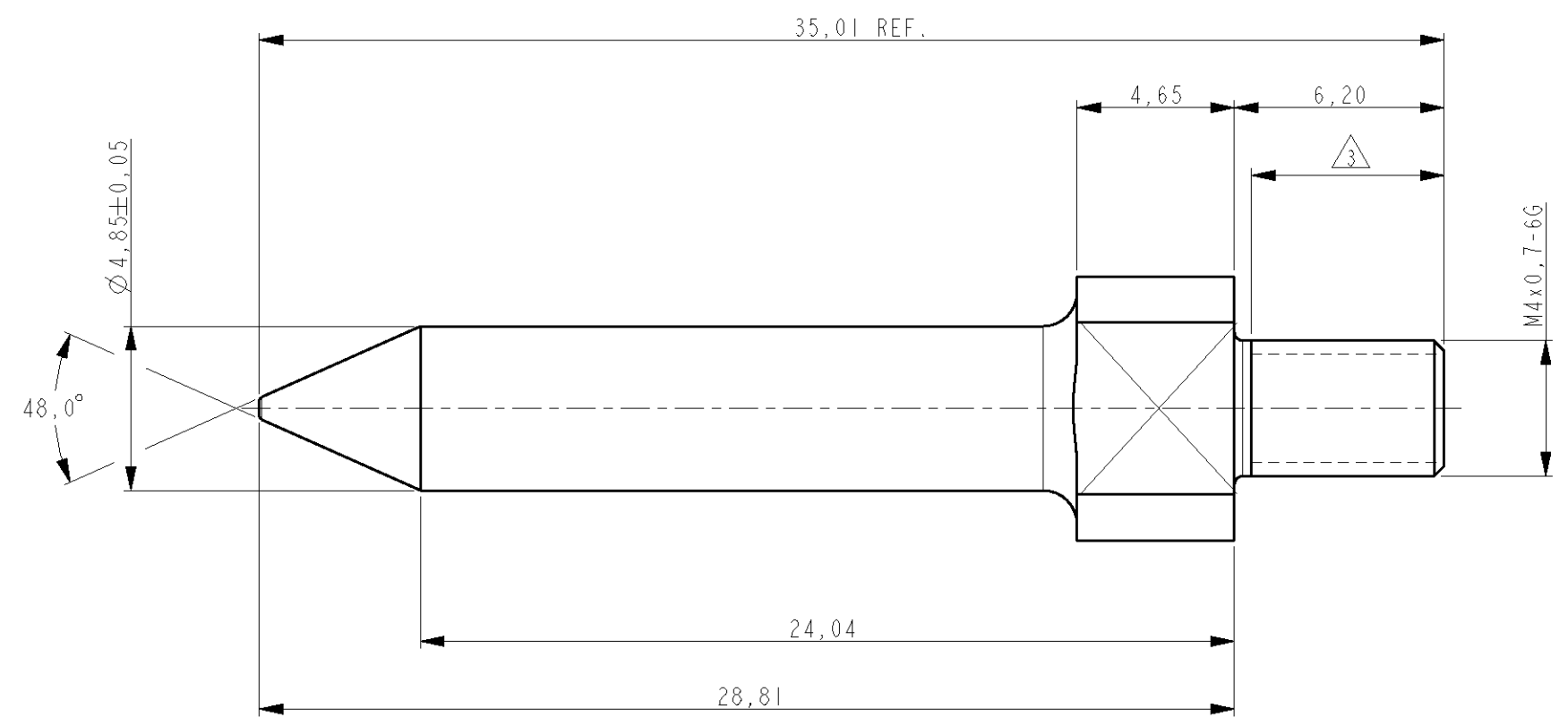
2

1

THIS DRAWING IS UNPUBLISHED. RELEASED FOR PUBLICATION 20  
 © COPYRIGHT 20 BY TYCO ELECTRONICS CORPORATION. ALL RIGHTS RESERVED.

LOC	DIST	REVISIONS					
		P	LTR	DESCRIPTION	DATE	DWN	APVD
H	-		A	FIRST ISSUE	31OCT2007	JV	BM

- 1 MATERIAL: STAINLESS STEEL.
- 2 FINISH: PASSIVATED.
- 3 LOCTITE DRI-LOC 204 APPLIED IN THIS AREA.



SCALE 2:1

1857988-1 AS SHOWN

2 3	1	1857988-1
FINISH	MATERIAL	PARTNUMBER

<small>THIS DRAWING IS A CONTROLLED DOCUMENT FOR TYCO ELECTRONICS CORPORATION          IT IS SUBJECT TO CHANGE AND THE CONTROLLING ENGINEERING ORGANIZATION          SHOULD BE CONTACTED FOR THE LATEST REVISION.</small>		DWN J.VOS 31OCT2007 CHK B.MOOLIJ 31OCT2007 APVD J.BROEKSTEEG 31OCT2007		Tyco Electronics Corporation 's-Hertogenbosch, Nederland	
DIMENSIONS: mm		TOLERANCES UNLESS OTHERWISE SPECIFIED: 0 PLC ±- 1 PLC ±- 2 PLC ±0,13 3 PLC ±- 4 PLC ±- ANGLES ±0°30'		NAME GUIDE PIN FOR Z-PACK UHD	
MATERIAL 1		FINISH 2 3		PRODUCT SPEC - APPLICATION SPEC - WEIGHT -	
CUSTOMER DRAWING				SIZE A3	CAGE CODE 00779
SCALE 5:1				DRAWING NO C-1857988	RESTRICTED TO -
SHEET 1 OF 1				REV A	

单击下面可查看定价，库存，交付和生命周期等信息

[>>TE Connectivity\(泰科\)](#)