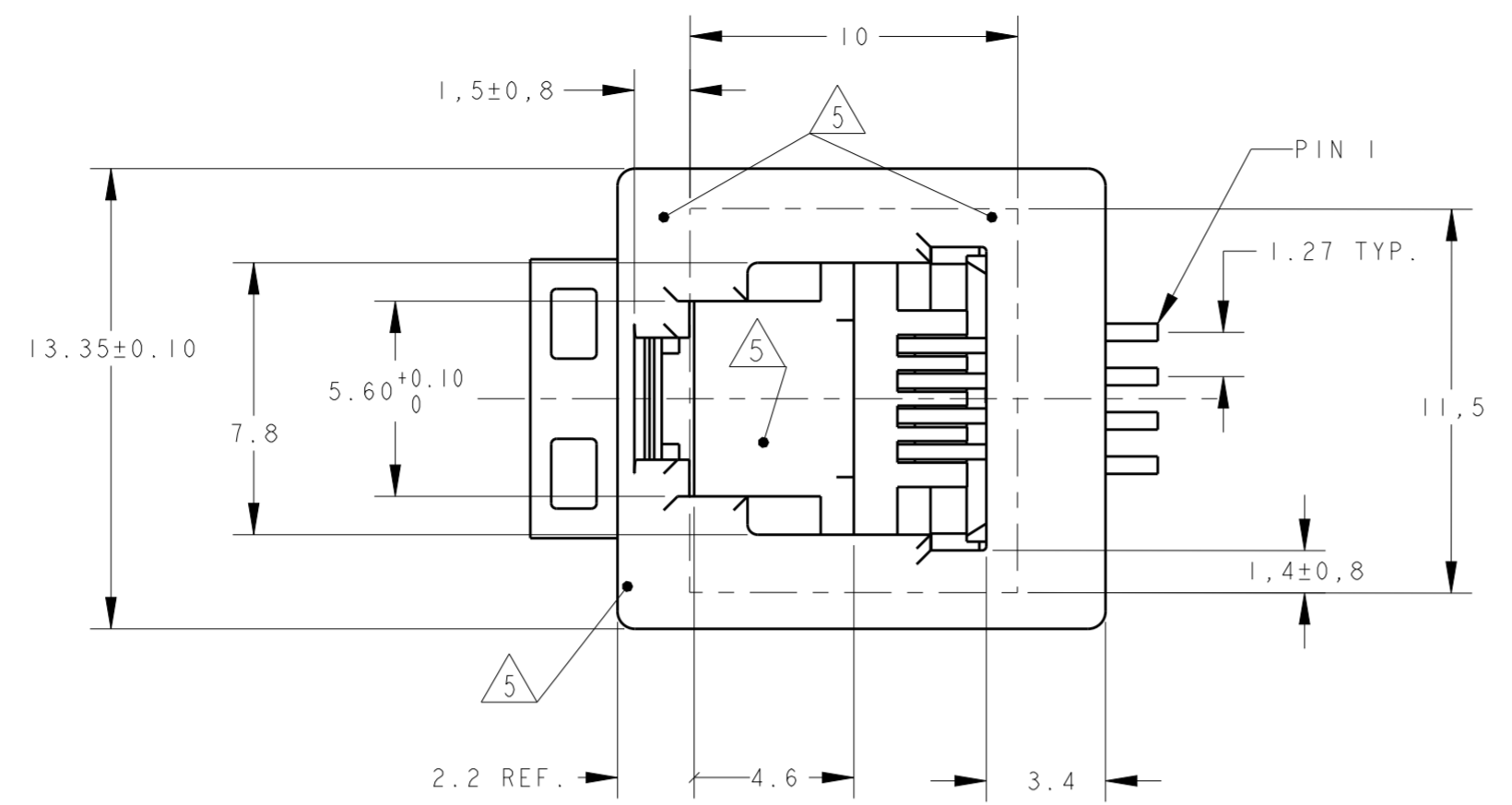
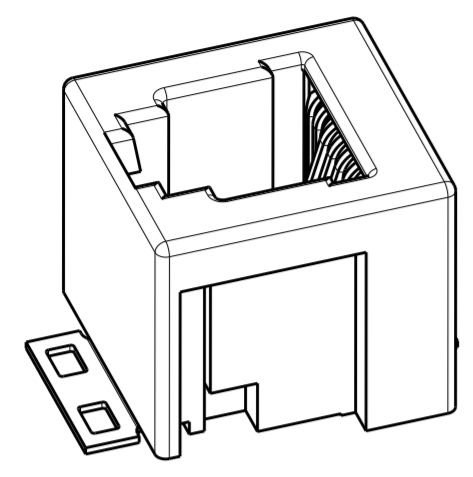


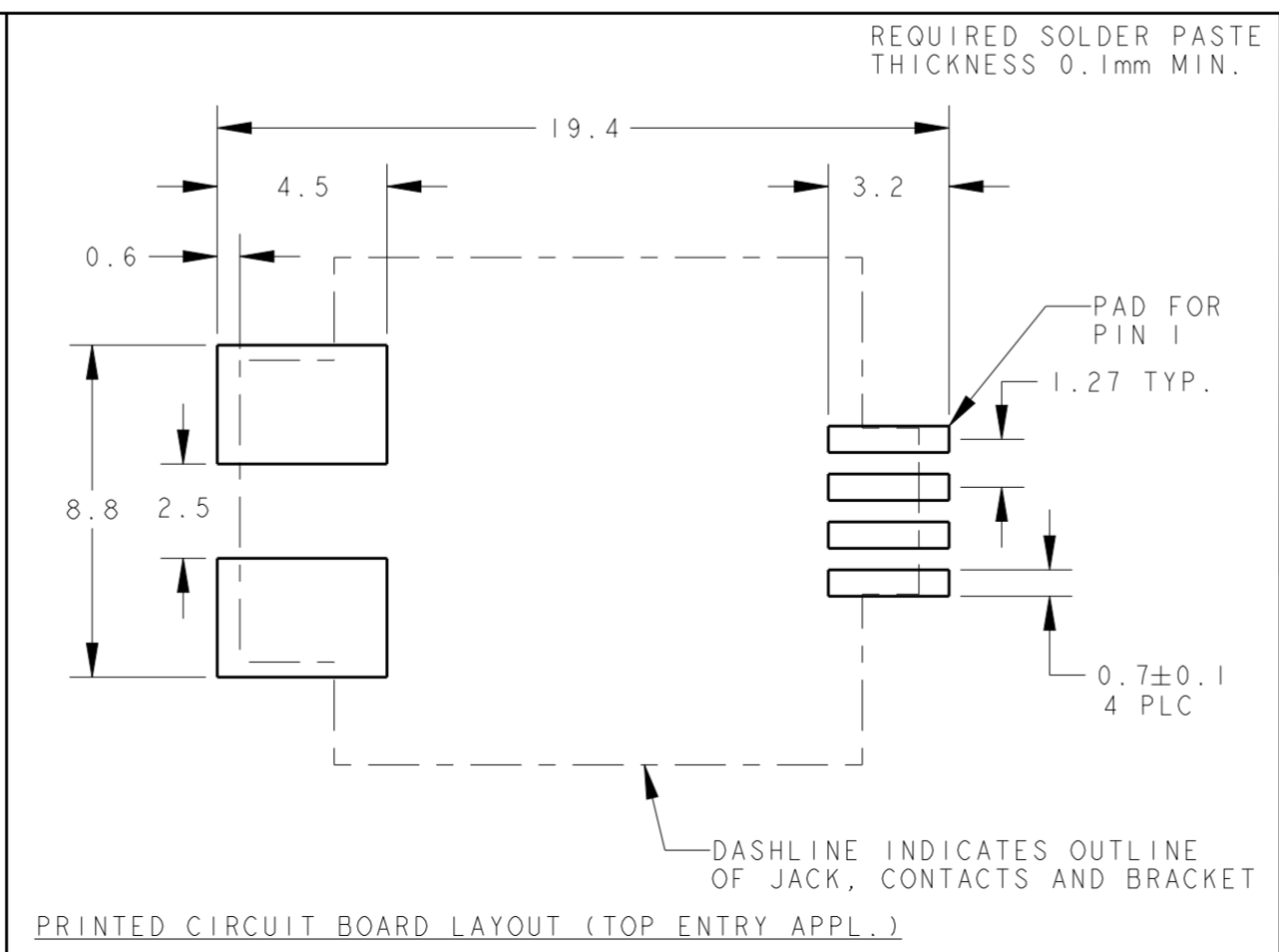
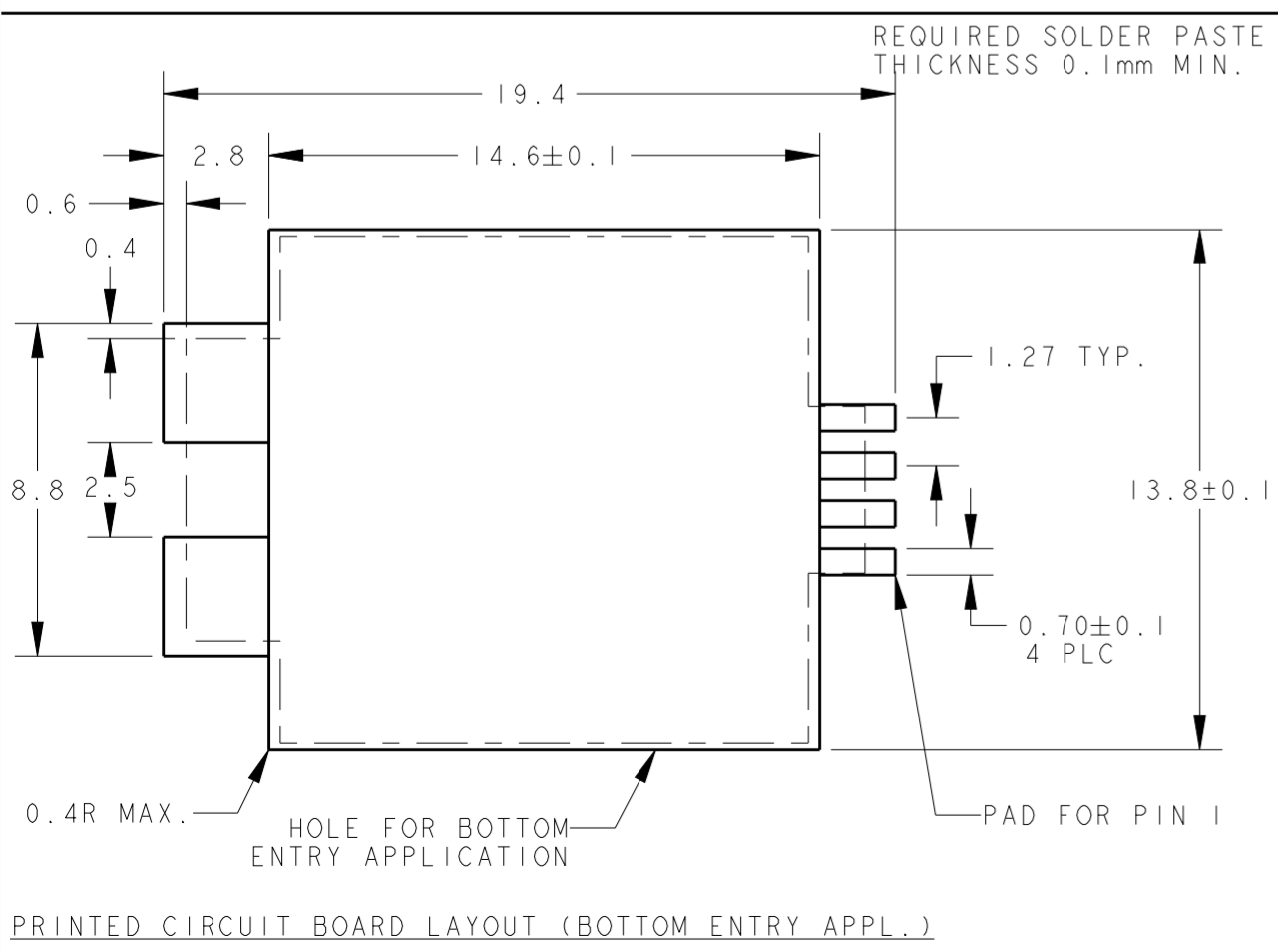
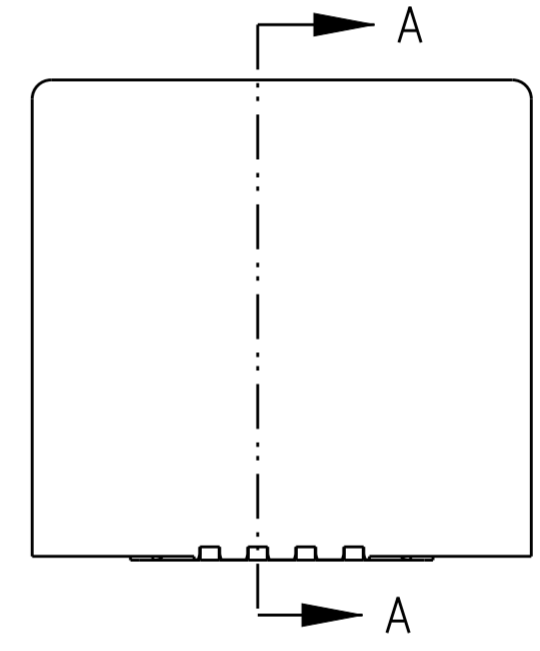
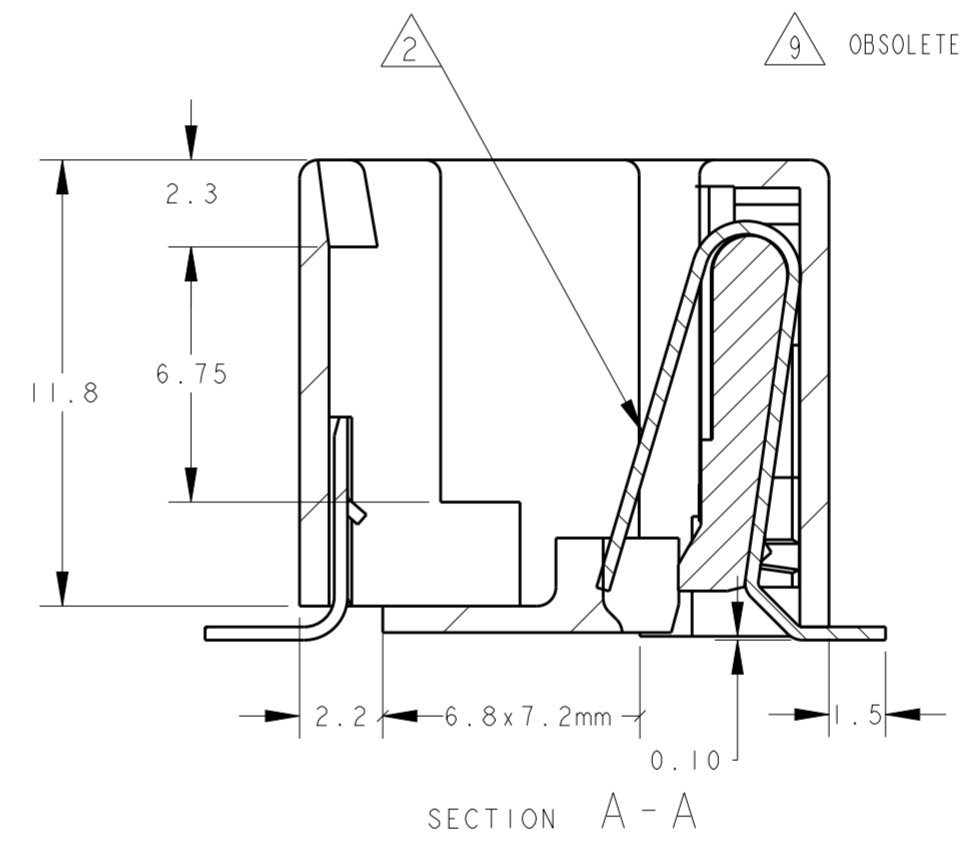
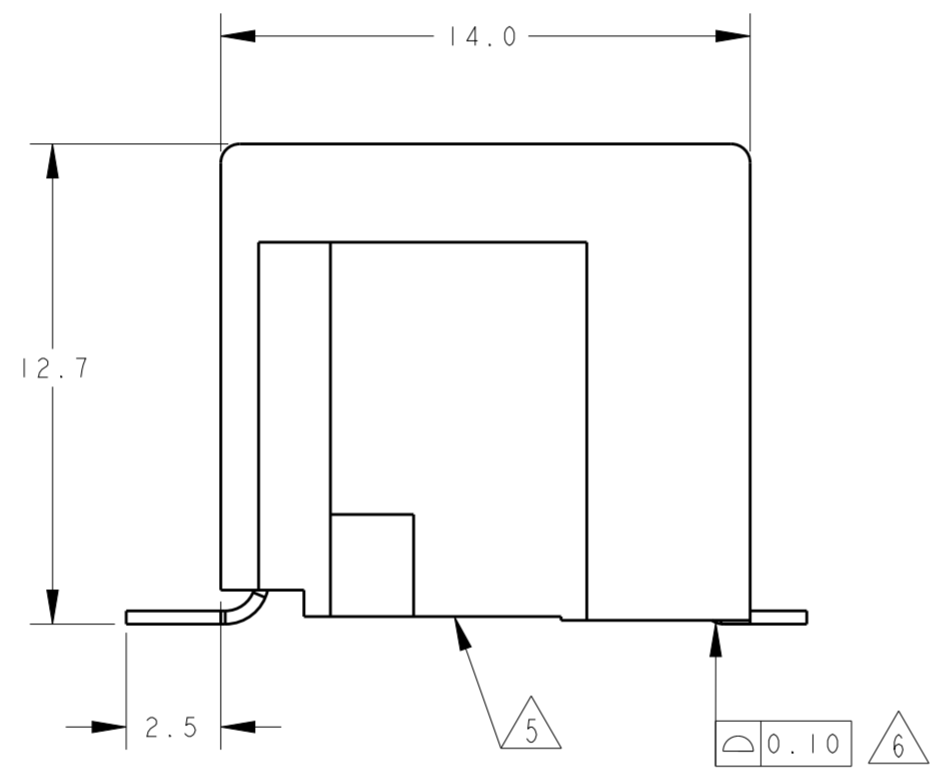
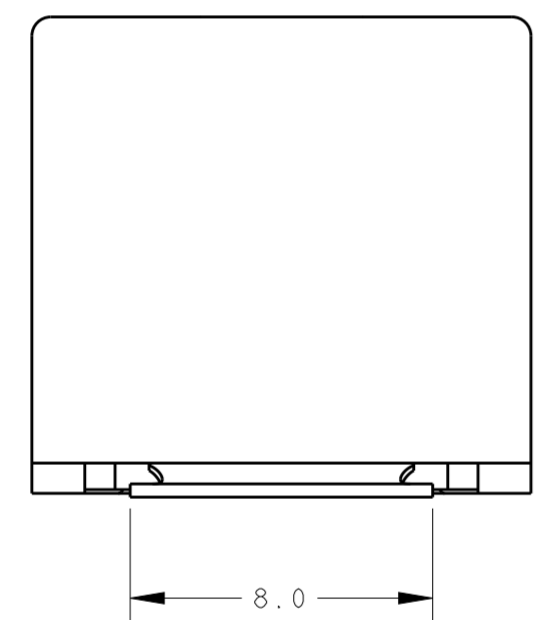
THIS DRAWING IS UNPUBLISHED. RELEASED FOR PUBLICATION 2011
 © COPYRIGHT 2011 TE CONNECTIVITY ALL RIGHTS RESERVED.

LOC		DIST		REVISIONS			
P	LTR	DESCRIPTION	DATE	DWN	APVD		
	Z	HOUSING RIB STRENGTHENED AND RAW MATERIAL CHANGED TO PA4T	06JAN2012	PS	RRP		
	AA	ECO-16-001320	13JUN2016	AD	SH		



NOTES:

- 1 TOLERANCES UNLESS OTHERWISE SPECIFIED: ±0.15.
- 2 CONTACT PLATING:
 OVERALL: Ni 1.27µm MIN. ALL OVER THE CONTACTS
 SOLDER ZONE: Sn 3.5-5.0µm ON THE SOLDER ZONE OF THE CONTACT
 MATING ZONE: PLATING CONFIRMS TO PRODUCT REQUIREMENTS AS PER SPECIFICATION 108-19117
- 3 MATERIALS:
 HOUSING: 30% G.F. LCP COLOR BLACK, UL 94V-0.
 CONTACTS: PHOSPHOR BRONZE
 SOLDER BRACKET: TIN PLATED BRASS WITH NICKEL UNDERPLATE.
- 4 THIS JACK CAN ALSO BE APPLIED HANGING THROUGH A HOLE, IN A PRINTED CIRCUIT BOARD. SEE LEFT PCB LAYOUT.
- 5 SURFACE CAN BE USED FOR PICKING THE MODULAR JACK WITH, TYPE 11 SMD MACHINE.
- 6 MEASURED AT HEEL OF CONTACTS
 COPLANARITY AT TIPS OF CONTACTS MAX. 0.18mm
- 7 TAPE AND REEL PACKAGING ACCORDING TO EIA 481-3 SPECIFICATIONS.
- 8 INCLUDES KAPTON TAPE (10x11,5mm) ON TOP SURFACE AS PICK AND PLACE FEATURE.
- 9 OBSOLETE PARTS: OBSOLETE CIS STREAMLINING PER D.RENAUD/D.SINSI



9	4 POS./4 CONT.	750 PCS ON Ø560 mm OD REEL. BOTTOM ENTRY ORIENTATION PER DETAIL B2	2-338084-5
	4 POS./4 CONT.	750 PCS ON Ø560 mm OD REEL. TOP ENTRY ORIENTATION PER DETAIL B1	2-338084-3
	4 POS./4 CONT.	300 PCS ON Ø360 mm OD REEL. TOP ENTRY ORIENTATION PER DETAIL B1	8 1-338084-6
9	4 POS./4 CONT.	300 PCS ON Ø360 mm OD REEL. BOTTOM ENTRY ORIENTATION PER DETAIL B2	1-338084-5
	4 POS./4 CONT.	300 PCS ON Ø360 mm OD REEL. TOP ENTRY ORIENTATION PER DETAIL B1	1-338084-3
REMARKS		PACKAGING	PART NUMBER

THIS DRAWING IS A CONTROLLED DOCUMENT.

DWN: 30-Sep-96
 E.v.ELJK
 CHK: DEC.'96
 E.STELLINGA

APVD: R.SMEETS

NAME: INVERTIBLE MODULAR JACK, 4 POSITION HANDSET SURFACE MOUNT APPLICATION

PRODUCT SPEC: 108-19117

APPLICATION SPEC: 114-19041

WEIGHT: 1.92 gr

SIZE: A2
 CAGE CODE: 0779
 DRAWING NO: C-338084

RESTRICTED TO: -

MATERIAL: SEE NOTE 3 -
 FINISH: SEE NOTE 2 -

CUSTOMER DRAWING

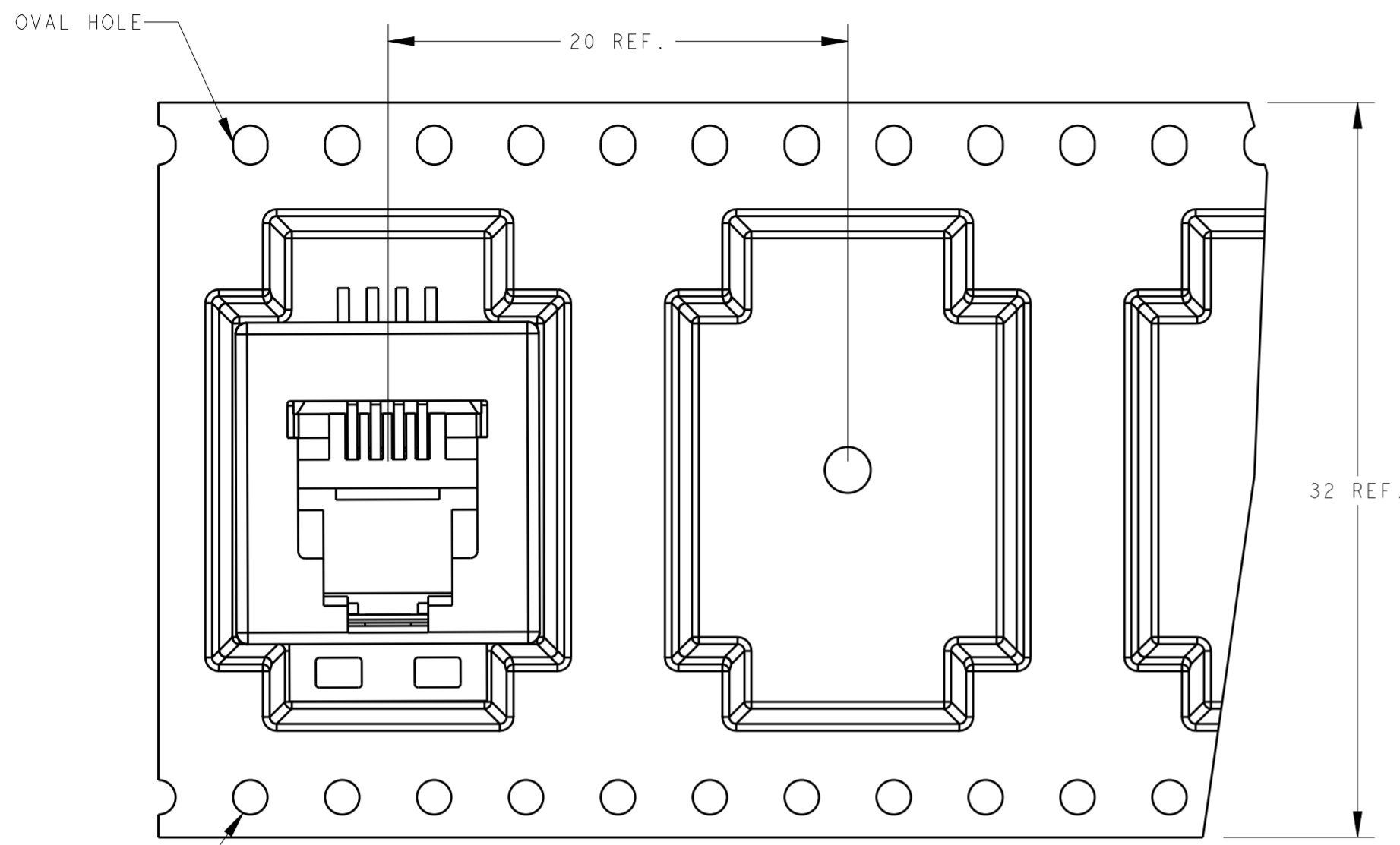
SCALE: 5:1

SHEET 1 OF 2

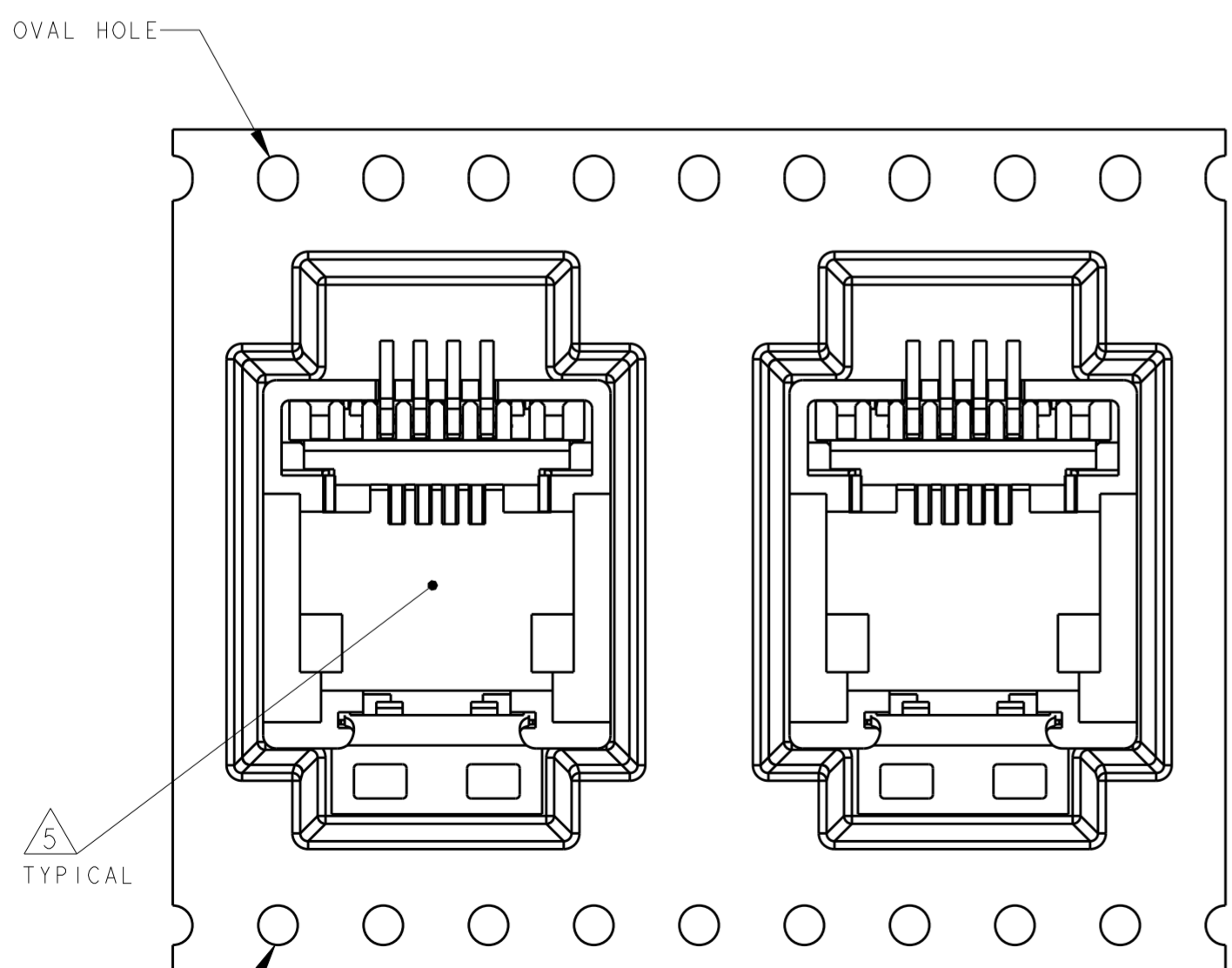
REV AA

THIS DRAWING IS UNPUBLISHED. RELEASED FOR PUBLICATION 2011
 © COPYRIGHT 2011 TE CONNECTIVITY ALL RIGHTS RESERVED.

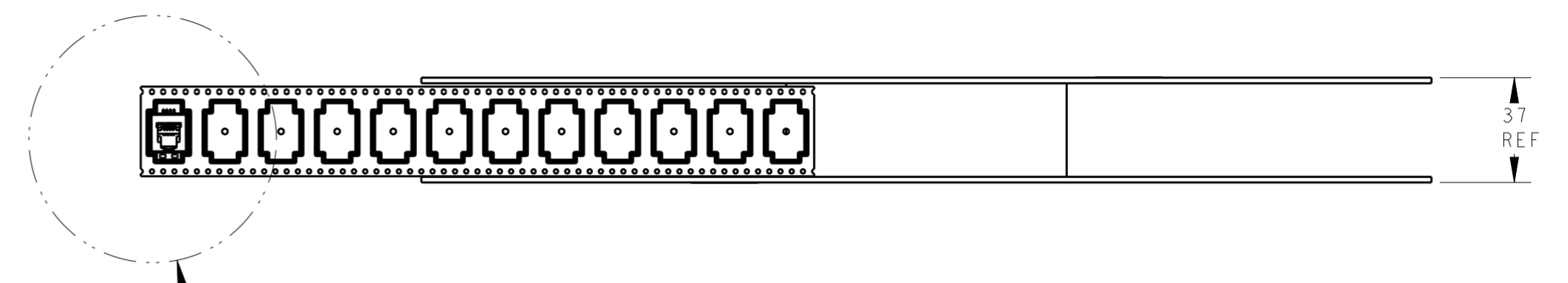
LOC	DIST	REVISIONS			
P	LTR	DESCRIPTION	DATE	DWN	APVD
IR	-	SEE SHEET 1	-	-	-



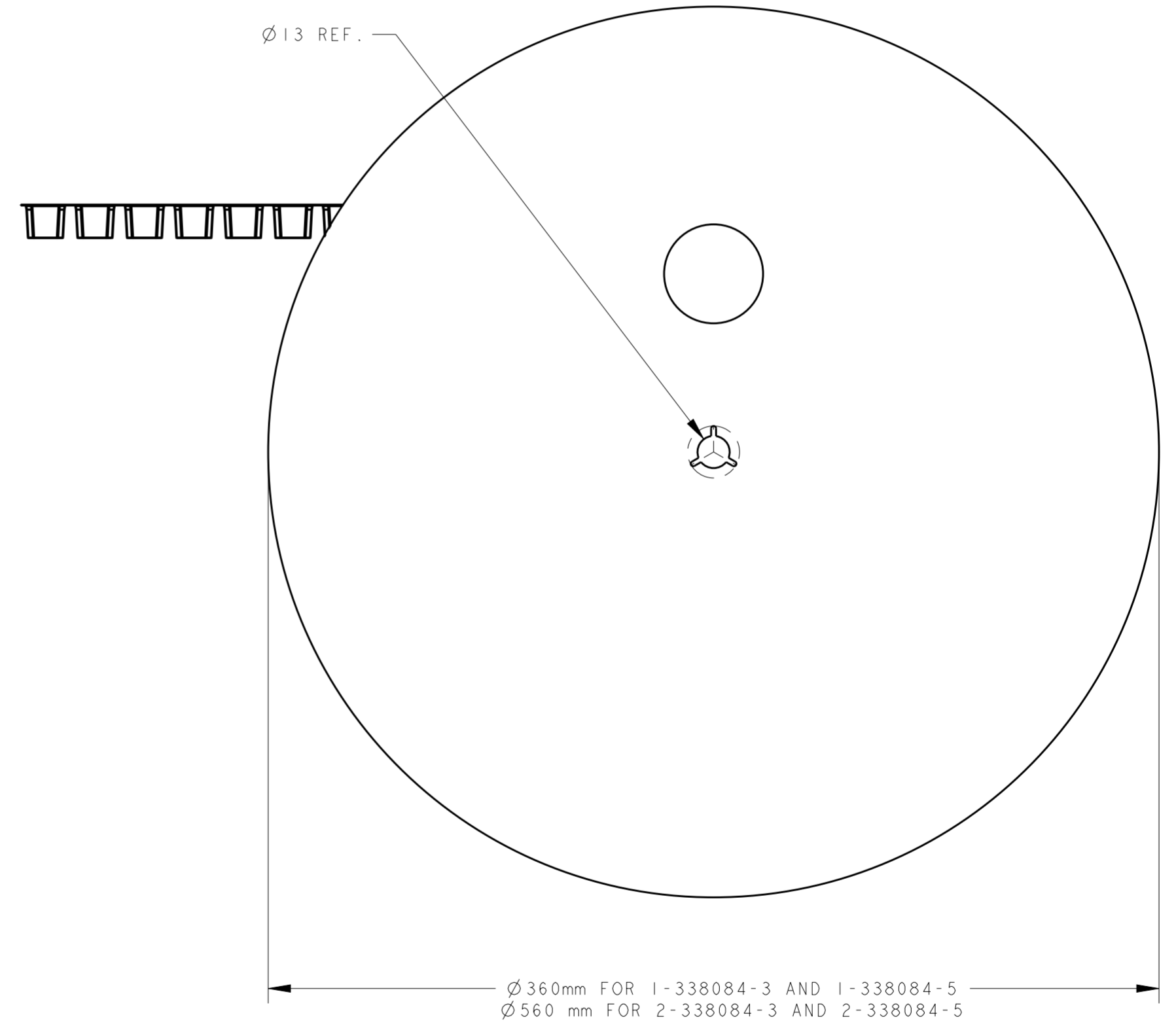
TOP ENTRY ORIENTATION.
 DETAIL B1
 SCALE 4:1



BOTTOM ENTRY ORIENTATION.
 DETAIL B2
 SCALE 4:1



SEE DETAIL B1 & B2



Ø 360mm FOR 1-338084-3 AND 1-338084-5
 Ø 560 mm FOR 2-338084-3 AND 2-338084-5

THIS DRAWING IS A CONTROLLED DOCUMENT.		DWN E.v.ELJK 30-Sep-96	TE Connectivity	
		CHK R. SMEETS DEC.'96		
DIMENSIONS: mm		APVD R. SMEETS	NAME INVERTIBLE MODULAR JACK, 4 POSITION HANDSET SURFACE MOUNT APPLICATION	
TOLERANCES UNLESS OTHERWISE SPECIFIED: 0 PLC ±: 1 PLC ±: 2 PLC ±: 3 PLC ±: 4 PLC ±: ANGLES ±: FINISH		PRODUCT SPEC 108-19117	SIZE 114-19041	RESTRICTED TO
MATERIAL		APPLICATION SPEC 114-19041	WEIGHT 1.92 gr	
		CUSTOMER DRAWING	SCALE 5:1	SHEET 2 OF 2 REV AA

单击下面可查看定价，库存，交付和生命周期等信息

[>>TE Connectivity\(泰科\)](#)