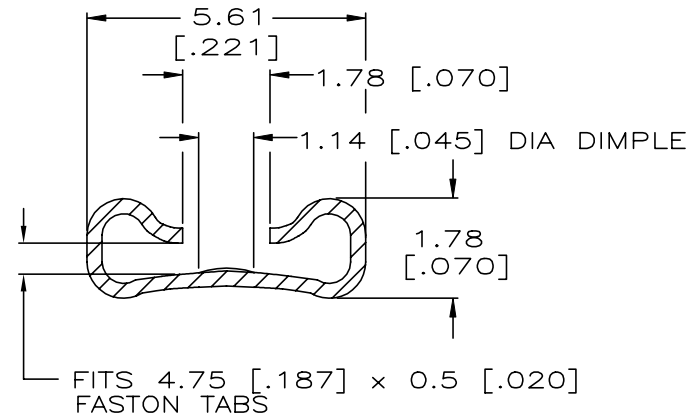
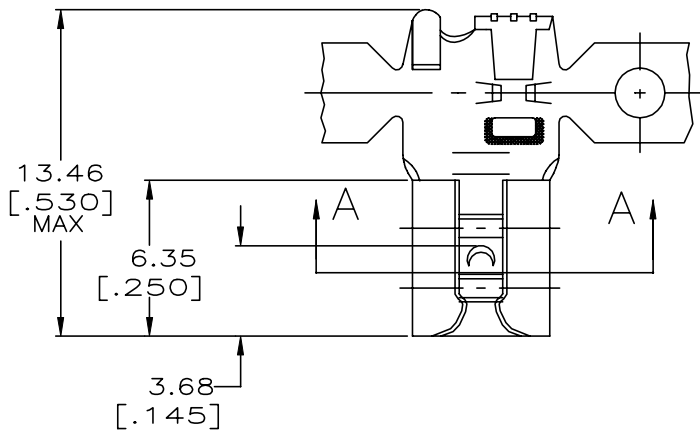


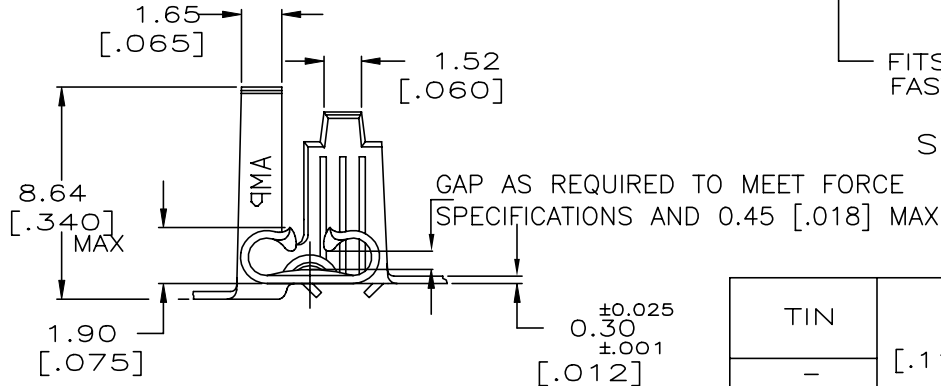
THIS DRAWING IS UNPUBLISHED. RELEASED FOR PUBLICATION
 © COPYRIGHT - By - ALL RIGHTS RESERVED.

REVISIONS				
P	LTR	DESCRIPTION	DATE	APVD
H1		REVISED PER ECR-16-010719	27JUL2016	LP TD
H2		REVISED PER ECR-20-009164	14JUL2020	MK DH

1 CONTINUOUS STRIP ON REELS.
 ▲ HIGH 1ST/6TH RETENTION FORCE

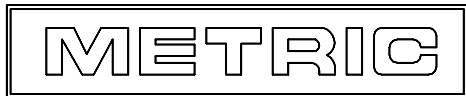


SECTION A-A
 SCALE 10:1



TIN	2.79-4.32	0.5-1.3mm ²	0.53-0.48	▲1-42800-2
-	[.110-.170] DIA	[20-16]AWG	[.021-.019]	42800-2
FINISH	INSULATION RANGE	WIRE SIZE	MATING TAB THK	42800-1

THIS DRAWING IS A CONTROLLED DOCUMENT.		DWN JR RUTH 11/1/91		
DIMENSIONS: mm [INCHES]		CHK MS FEHER 11/1/91		
TOLERANCES UNLESS OTHERWISE SPECIFIED:		APVD C MEYERS 11/1/91	NAME RECEPTACLE, FASTON, 4.75 [.187] SERIES	
0 PLC ± - 1 PLC ± - 2 PLC ± 0.25 [.010] 3 PLC ± - 4 PLC ± - ANGLES ± -		PRODUCT SPEC -	SIZE A3	CAGE CODE 00779
MATERIAL BRASS		APPLICATION SPEC -	DRAWING NO C=42800	RESTRICTED TO -
FINISH SEE TABLE		WEIGHT 0.000000	SCALE 5:1 SHEET 1 of 1 REV H2	
CUSTOMER DRAWING				



单击下面可查看定价，库存，交付和生命周期等信息

[>>TE Connectivity\(泰科\)](#)