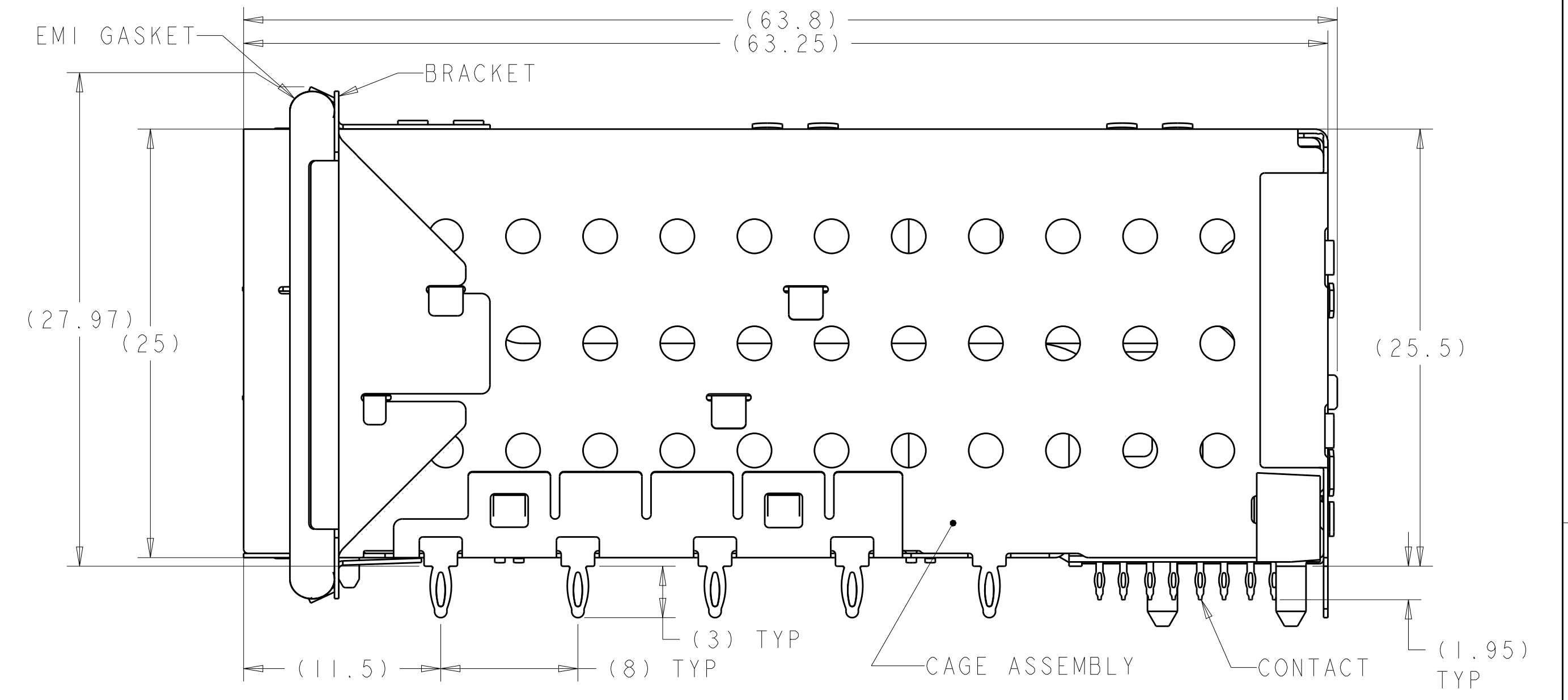
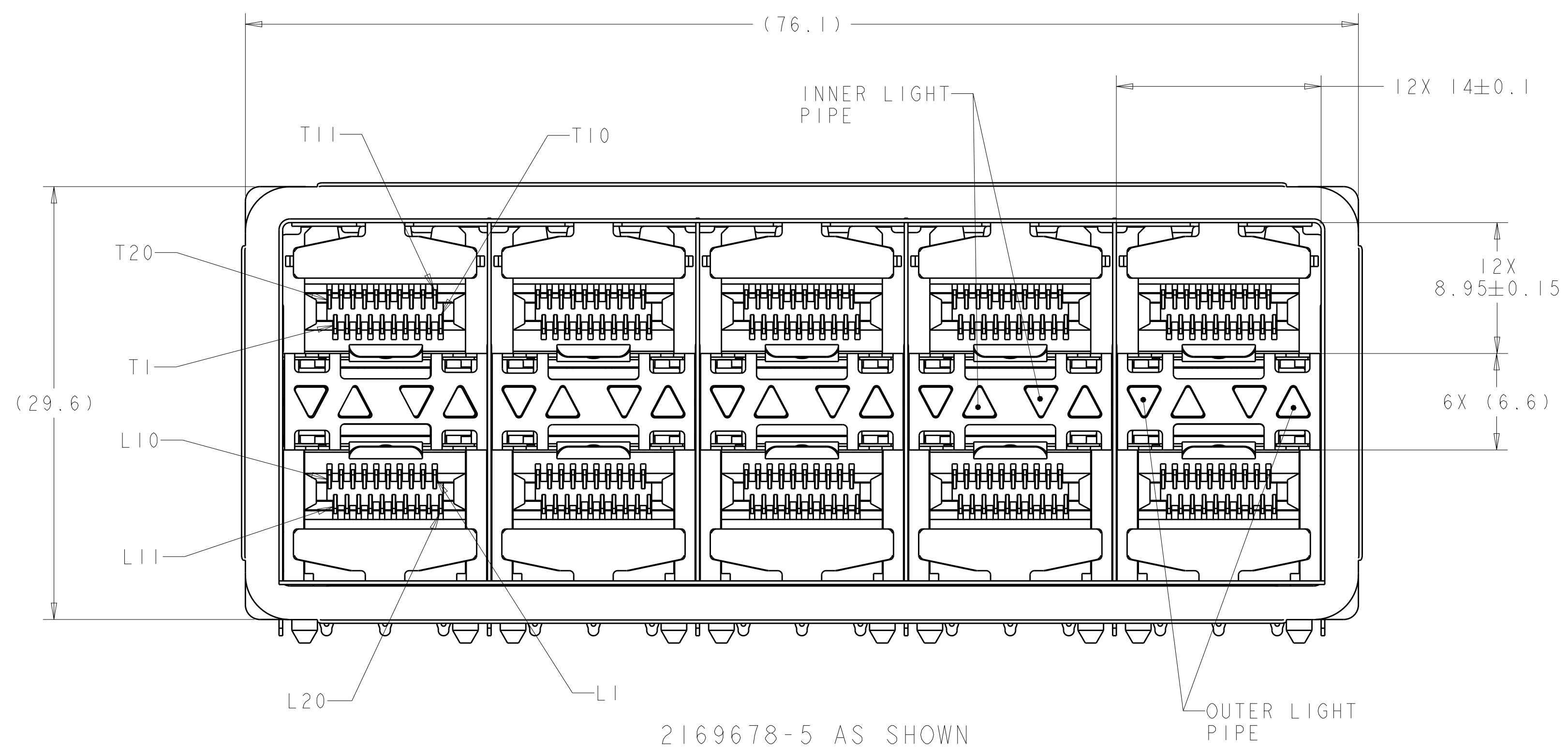
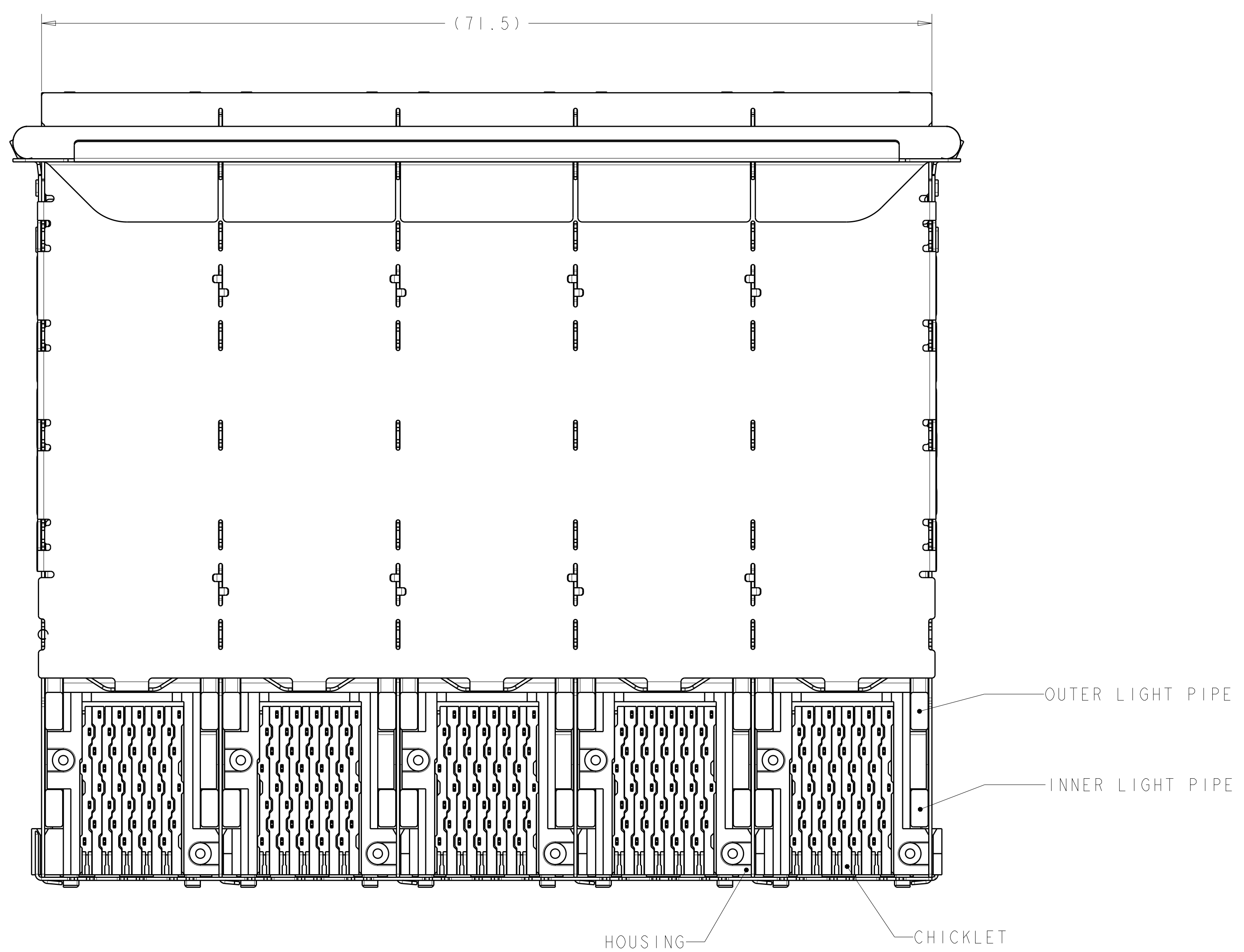


REVISIONS				
P.	LTN.	DESCRIPTION	DATE	APVD.
B		REVISED PER ECO-15-017922	01APR2016	AP RP



- △ MATERIALS:  
 CAGE ASSEMBLY- NICKEL SILVER ALLOY PER ASTM B 122.  
 BRACKET- STAINLESS STEEL.  
 EMI GASKET- PLATED FILLED SILICONE.  
 HOUSING- BLACK LCP, UL 94V-0 RATED.  
 CHICKLET- BLACK LCP, UL 94V-0 RATED.  
 LIGHT PIPE- POLYCARBONATE, CLEAR.  
 INSERT - (FOR LIGHT PIPE PART NUMBERS ONLY) - LCP, BLACK, UL 94V-0.  
 CONTACT- COPPER ALLOY.
- △ DATUM AND BASIC DIMENSIONS ESTABLISHED BY CUSTOMER.
- 3. MINIMUM PCB THICKNESS OF 1.5.
- △ CONTACT FINISH- CONFORMS TO THE REQUIREMENTS OF TYCO ELECTRONICS PRODUCT SPECIFICATION 108-2331, BASED ON EIA/ECA-364-1000.01A, (CONTROLLED ENVIRONMENT APPLICATIONS) ON MATING INTERFACE, TIN-LEAD ON NEEDLE EYE.
- △ CONTACT FINISH- CONFORMS TO THE REQUIREMENTS OF TYCO ELECTRONICS PRODUCT SPECIFICATION 108-2331, BASED ON EIA/ECA-364-1000.01A, (CONTROLLED ENVIRONMENT APPLICATIONS) ON MATING INTERFACE, TIN ON NEEDLE EYE.
- △ FOR HOLE SIZE AND PLATINGS, SEE APPLICATION SPEC 114-13219.
- △ THE ENTIRE AREA OF THE CONNECTOR FOOTPRINT, INDICATED BY THE DASHED LINE, TO BE CONSIDERED THE KEEPOUT AREA FOR COMPONENTS AND SIGNAL TRACES, TOP SIDE ONLY. TOP SIDE TRACES ALLOWED WITHIN CONNECTOR HOLE PATTERN.
- △ LIGHT PIPE PAD LAYOUT IS FOR 0805 LOW PROFILE LED PACKAGE WITH A HEIGHT OF 0.8mm.
- △ ADDITIONAL COMPONENT LOCATED WITHIN LATCHPLATE FOR EMISUPPRESSION



EMISUPPRESSION	EMISUPPRESSION	DESCRIPTION	PART NUMBER
YES △9	△5	NO LIGHT PIPES	1-2169678-8
		OUTER 2 LIGHT PIPES	1-2169678-7
		INNER 2 LIGHT PIPES	1-2169678-6
		4 LIGHT PIPES	1-2169678-5
NO	△5	NO LIGHT PIPES	2169678-8
		OUTER 2 LIGHT PIPES	2169678-7
		INNER 2 LIGHT PIPES	2169678-6
		4 LIGHT PIPES	2169678-5
NO	△4	NO LIGHT PIPES	2169678-4
		OUTER 2 LIGHT PIPES	2169678-3
		INNER 2 LIGHT PIPES	2169678-2
		4 LIGHT PIPES	2169678-1

ENHANCED EMI FINISH

DESCRIPTION

PART NUMBER

THIS DRAWING IS A CONTROLLED DOCUMENT. DIMENSIONS: mm. TOLERANCES UNLESS OTHERWISE SPECIFIED: 0 PLC ±0.10, 1 PLC ±0.10, 2 PLC ±0.10, 3 PLC ±0.10, 4 PLC ±0.10, ANGLES ±°. MATERIAL: FINISH: △4 △5

OWN: C. VALENTINE 10DEC2010  
 CHK: P. RECCE 10DEC2010  
 APVD: P. RECCE 10DEC2010

NAME: CAGE AND PT CONNECTOR ASSEMBLY, WITH EMI GASKET, PRESS FIT, 2X5, STACKED SFP+

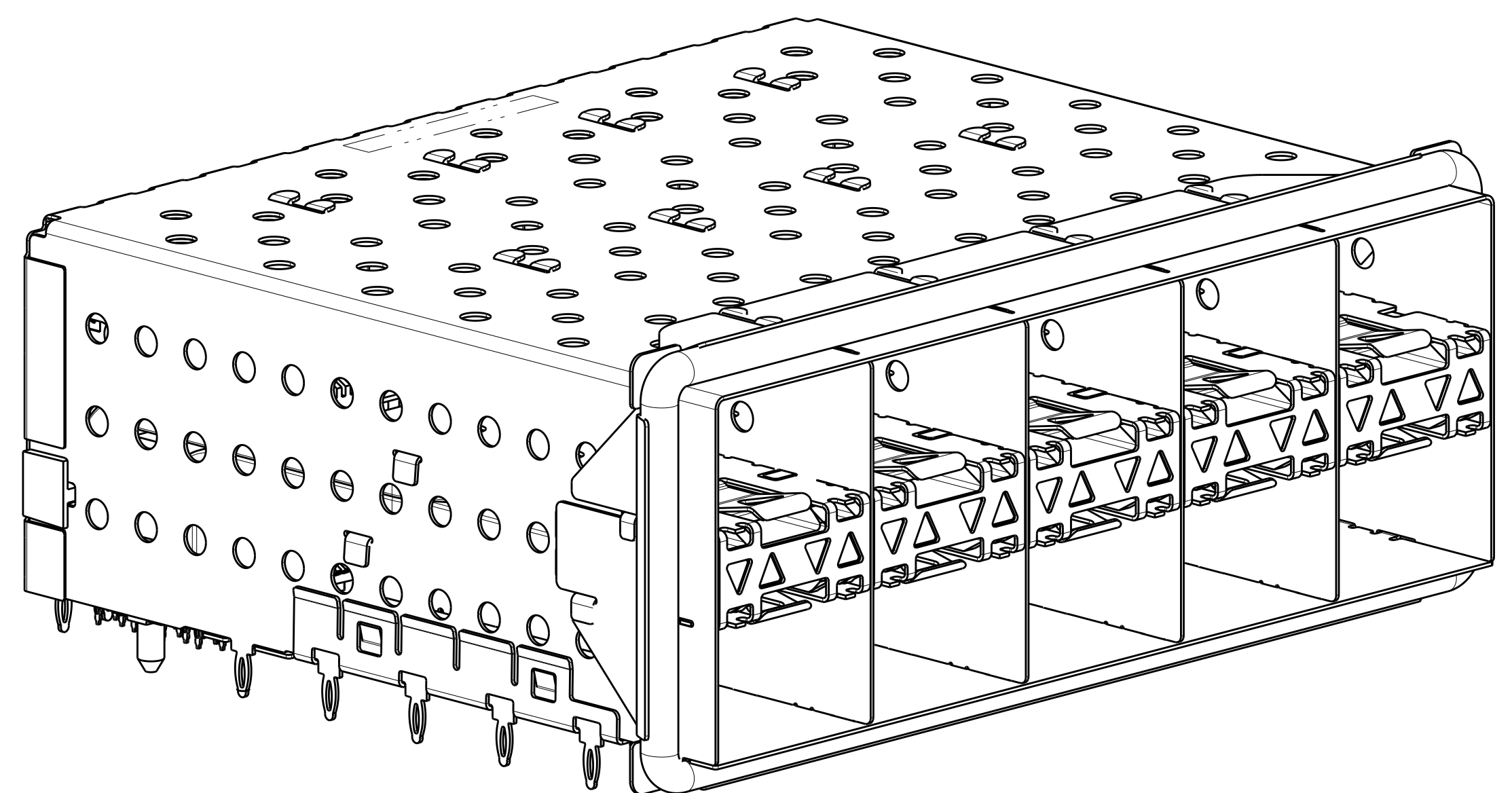
PRODUCT SPEC: 108-2331  
 APPLICATION SPEC: 114-13219

SIZE: CAGE CODE DRAWING NO: A100779  
 WEIGHT: C=2169678

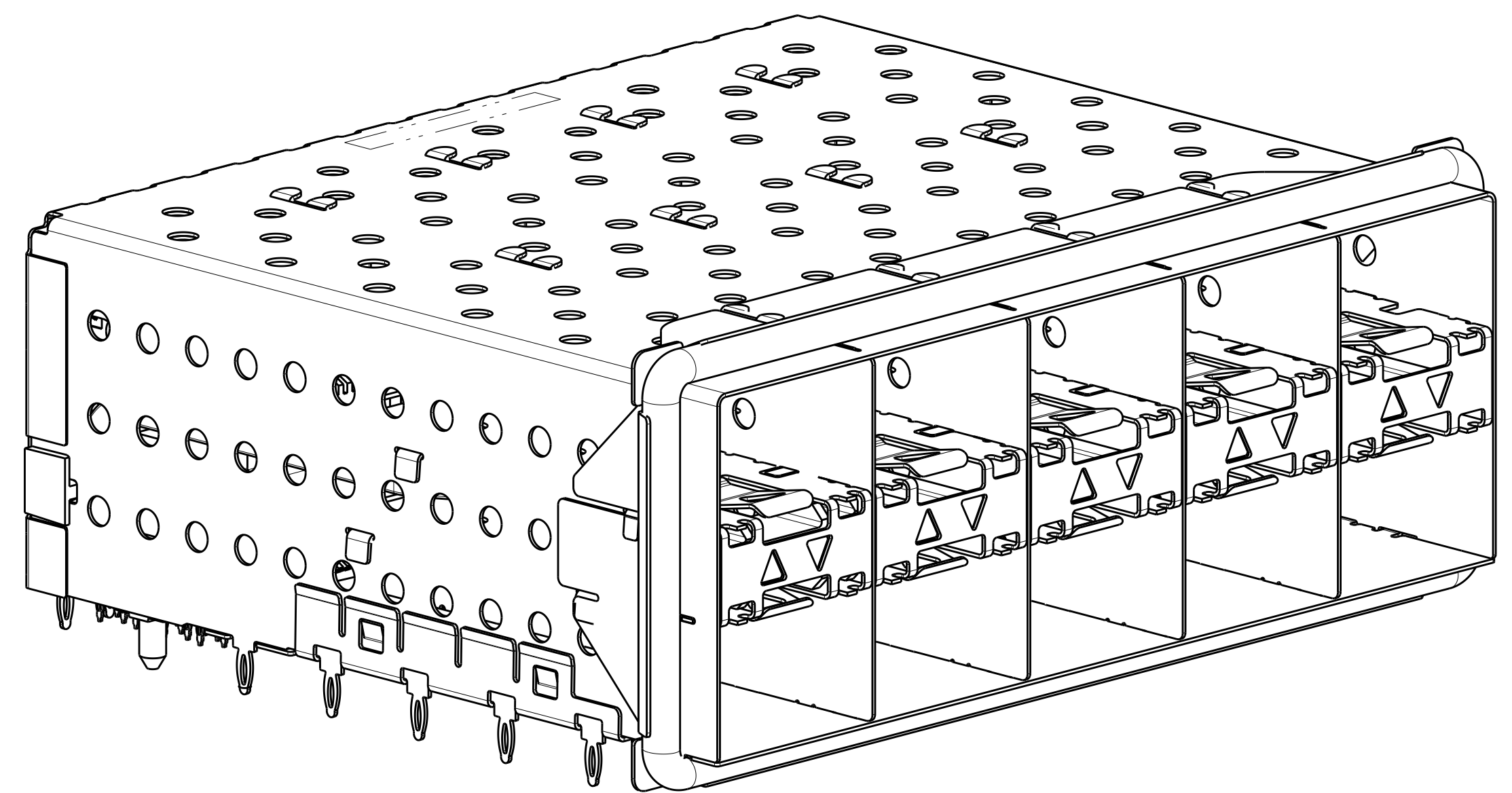
CUSTOMER DRAWING SCALE: 4:1 SHEET 1 OF 4 REV B



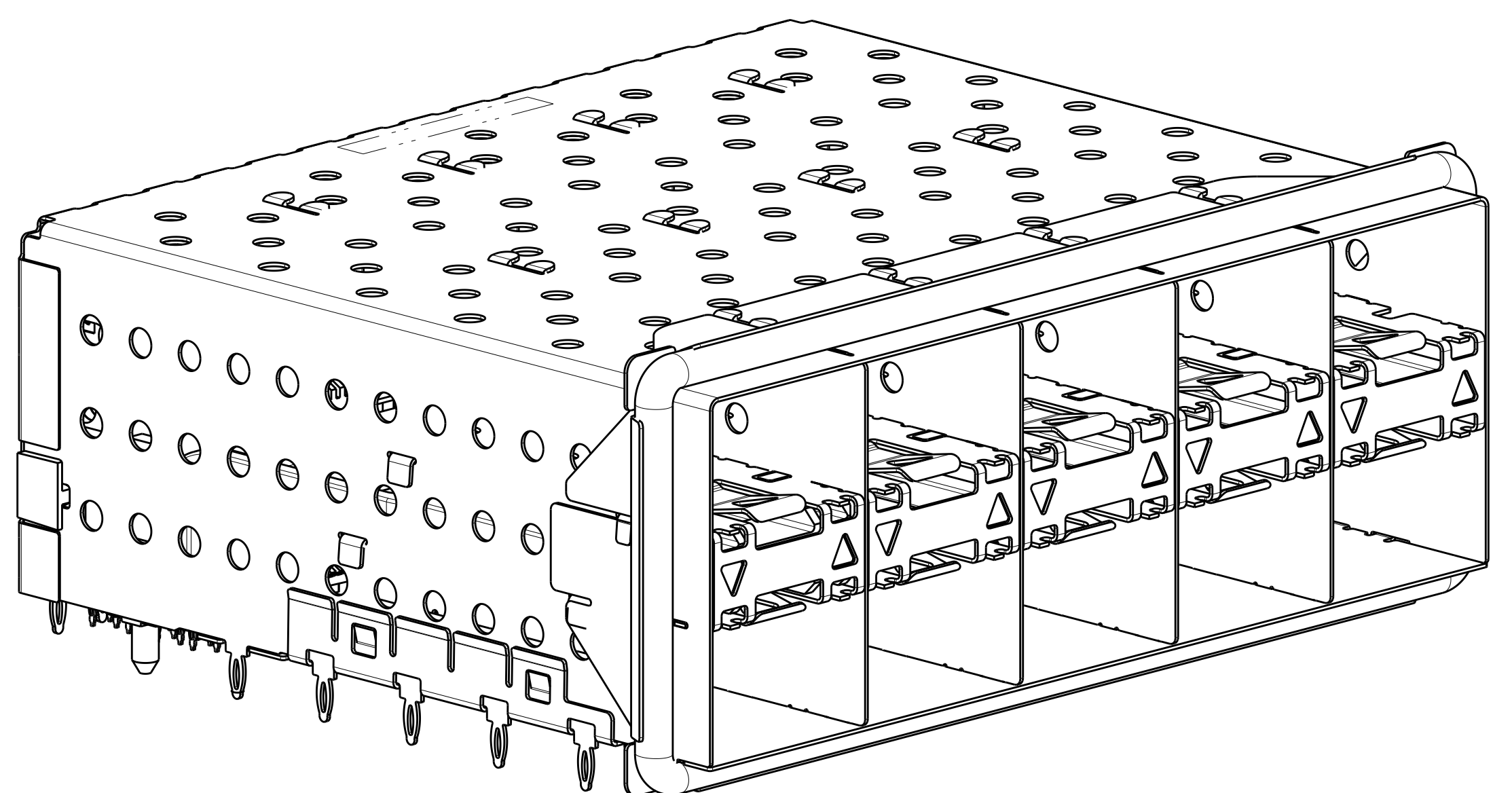
REVISIONS				
P.	LTN.	DESCRIPTION	DATE	APVD.
-	-	SEE SHEET 1	-	-



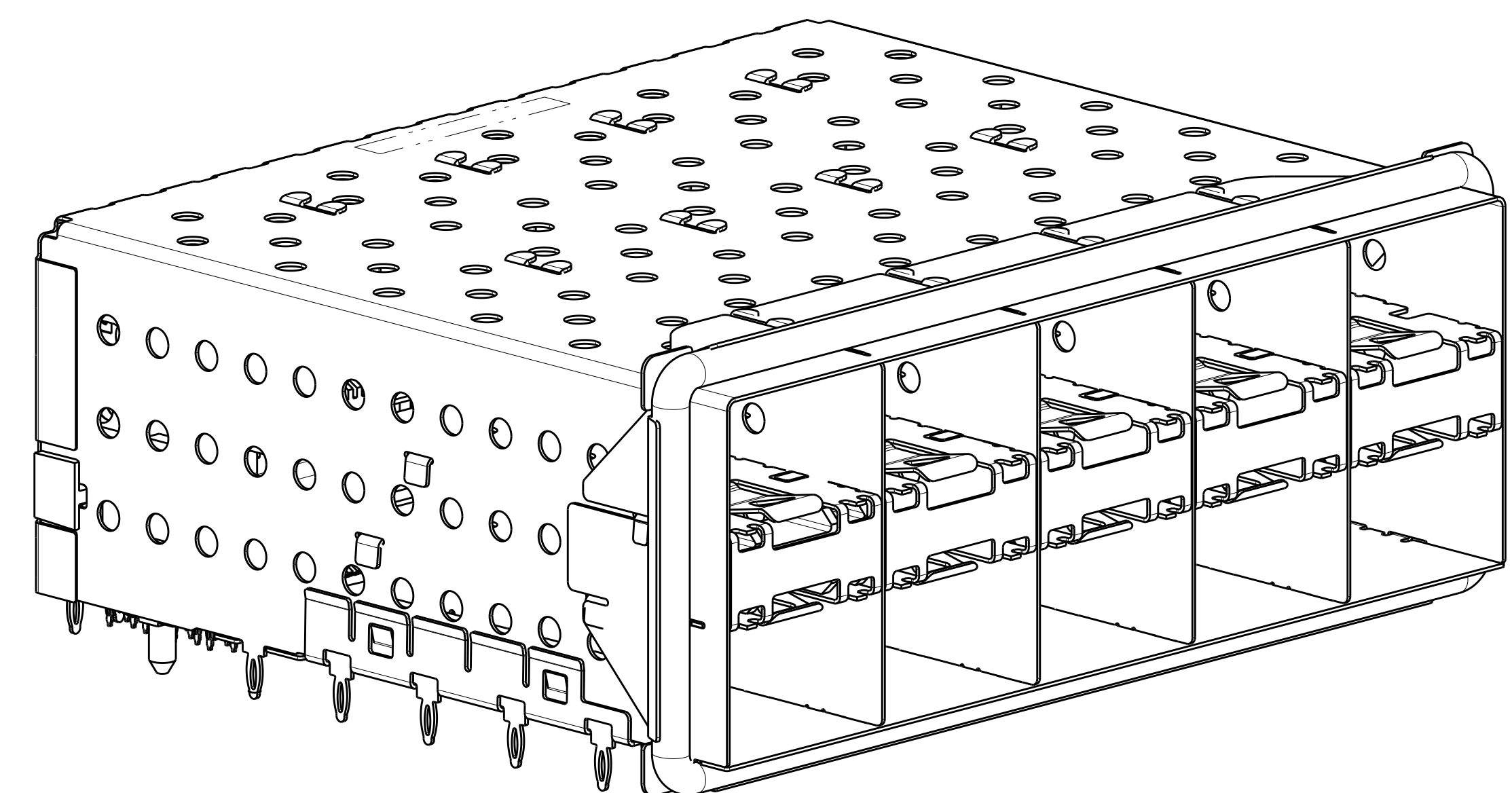
2169678-5 AND 1-2169678-5  
 SCALE 3:1



2169678-6 AND 1-2169678-6  
 SCALE 3:1



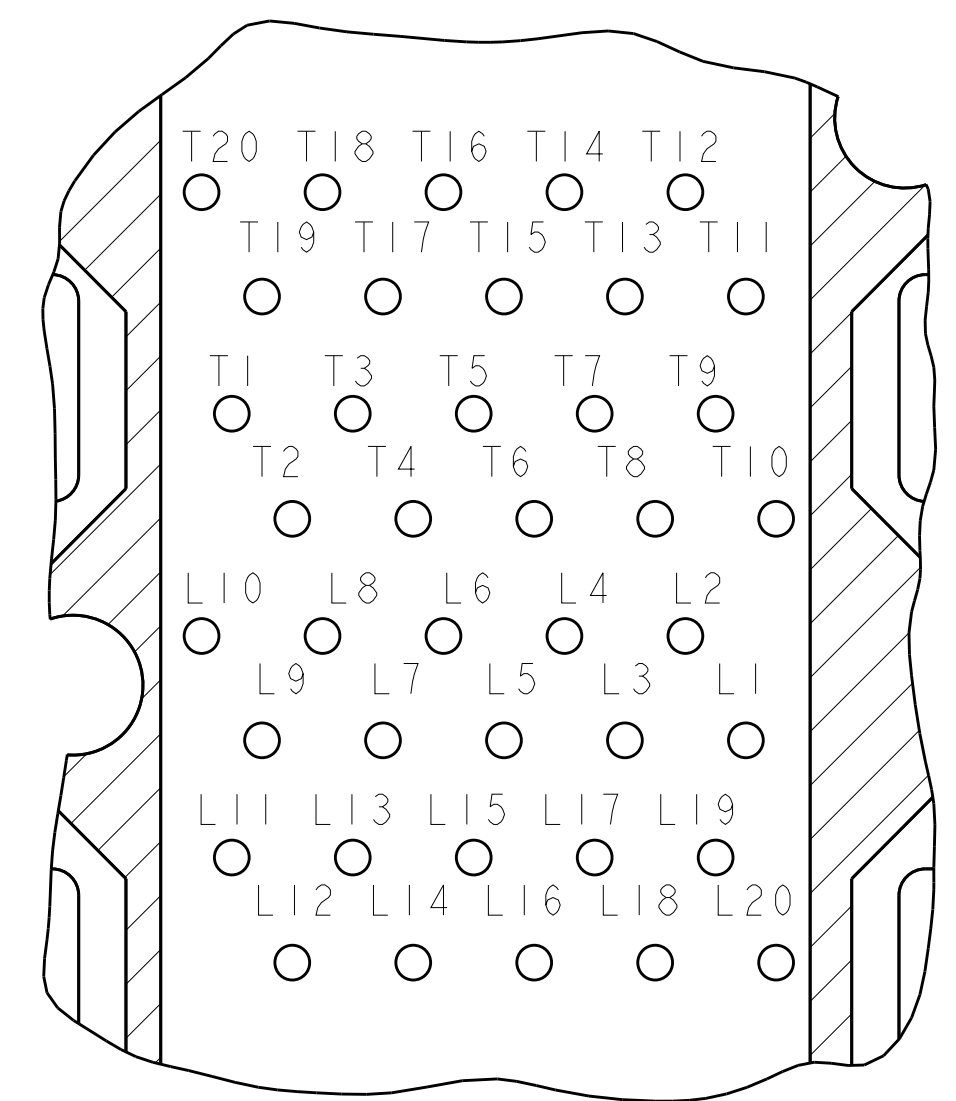
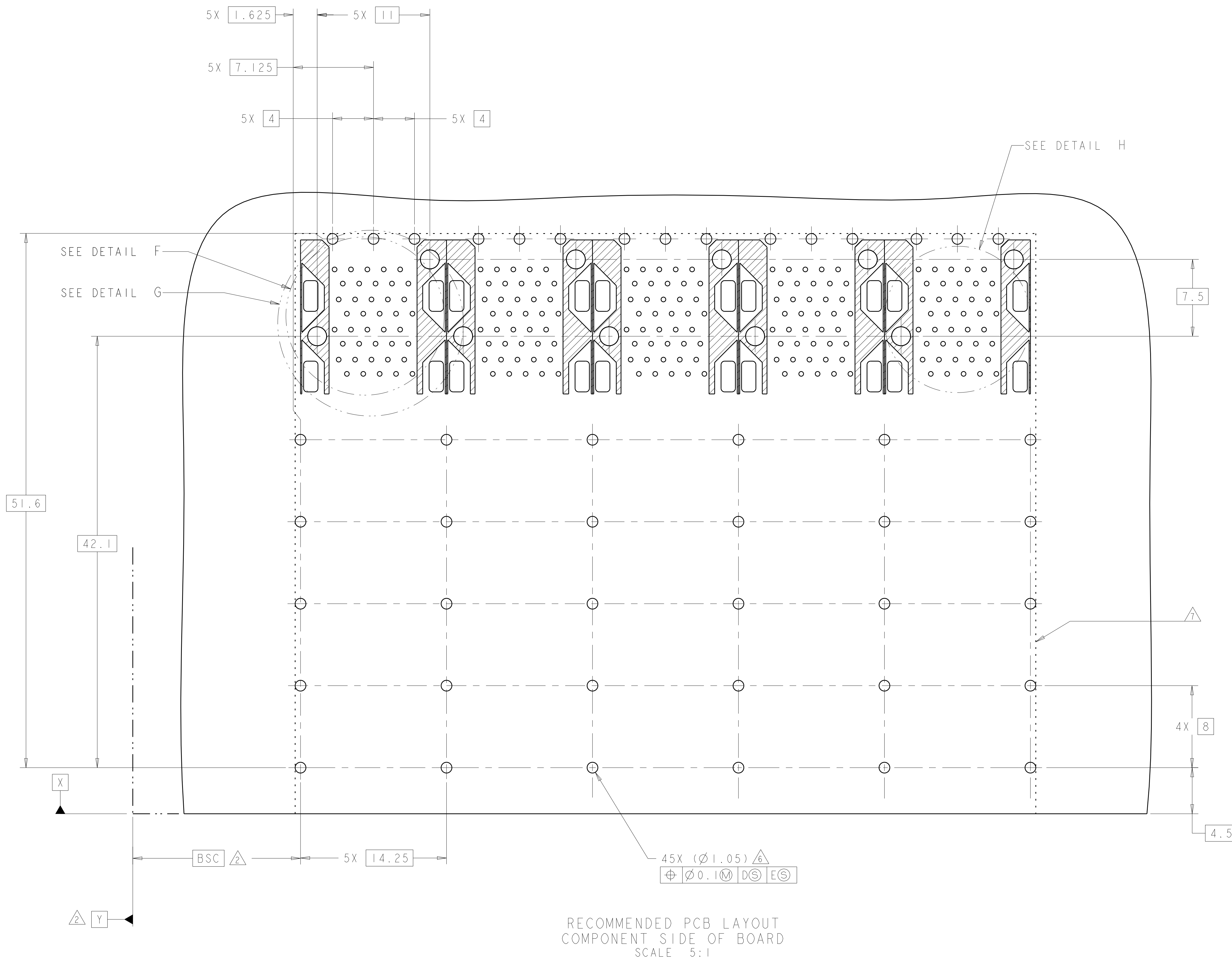
2169678-7 AND 1-2169678-7  
 SCALE 3:1



2169678-8 AND 1-2169678-8  
 SCALE 3:1

THIS DRAWING IS A CONTROLLED DOCUMENT.		DWN: C. VALENTINI 10DEC2010 CHK: P. RECCE 10DEC2010 APVD: P. RECCE 10DEC2010	
DIMENSIONS: mm	TOLERANCES UNLESS OTHERWISE SPECIFIED: 0 PLC ±0.10 1 PLC ±0.10 2 PLC ±0.10 3 PLC ±0.10 4 PLC ±0.10 ANGLES ±°	NAME: CAGE AND PT CONNECTOR ASSEMBLY, WITH EMI GASKET, PRESS FIT, 2X5, STACKED SFP+ PRODUCT SPEC: 108-2331 APPLICATION SPEC: 114-13219	
MATERIAL:	FINISH:	WEIGHT: 114-13219 CUSTOMER DRAWING	SIZE: A1 CAGE CODE: 00779 DRAWING NO: C=2169678 RESTRICTED TO: - SCALE: 4:1 SHEET 2 OF 4 REV B

REVISIONS				
P.	LTM	DESCRIPTION	DATE	APVD
-	-	SEE SHEET 1	-	-



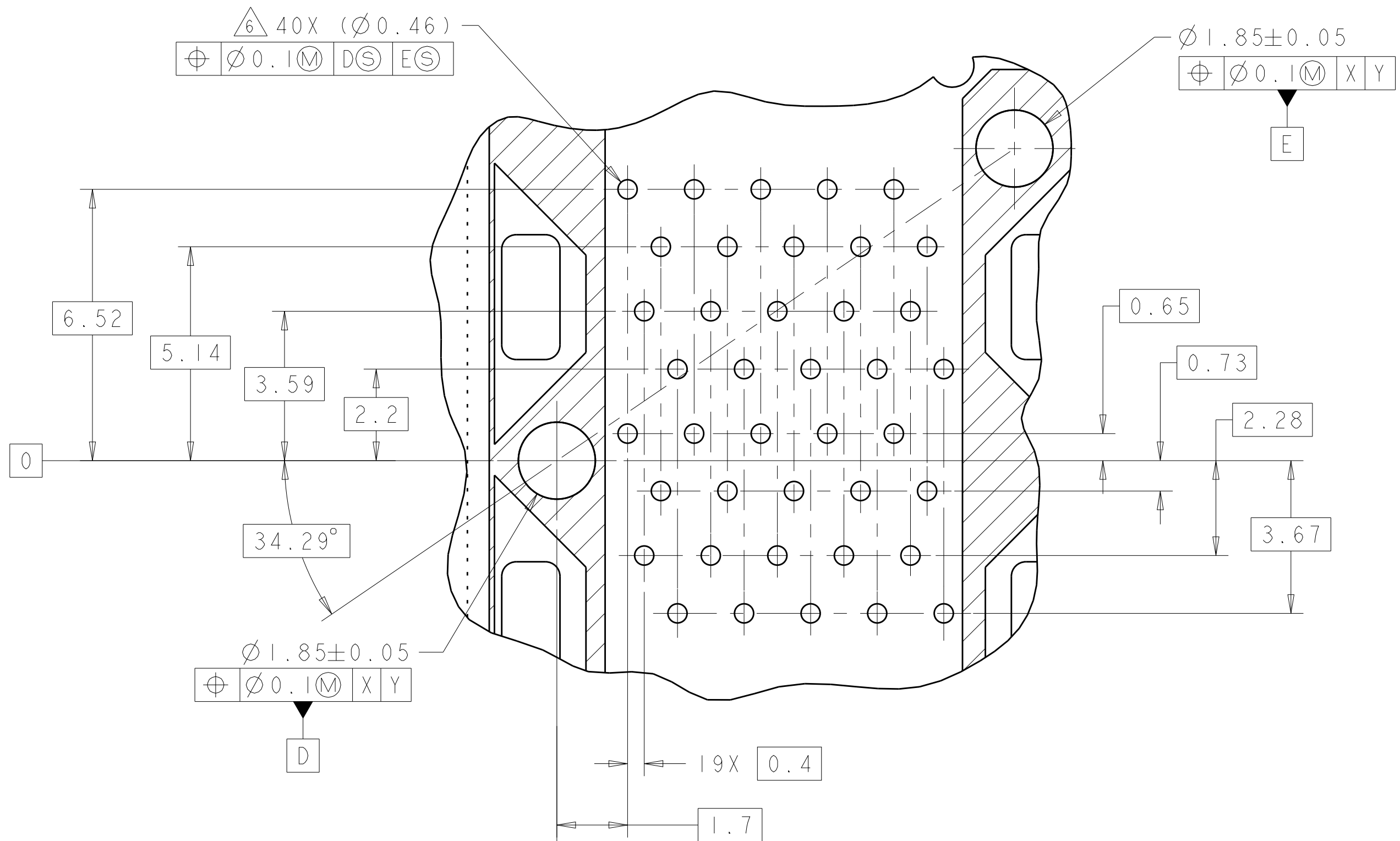
DETAIL H  
 CONNECTOR PIN-OUT  
 COMPONENT SIDE OF BOARD  
 5X INDIVIDUALLY  
 SCALE 10:1

RECOMMENDED PCB LAYOUT  
 COMPONENT SIDE OF BOARD  
 SCALE 5:1

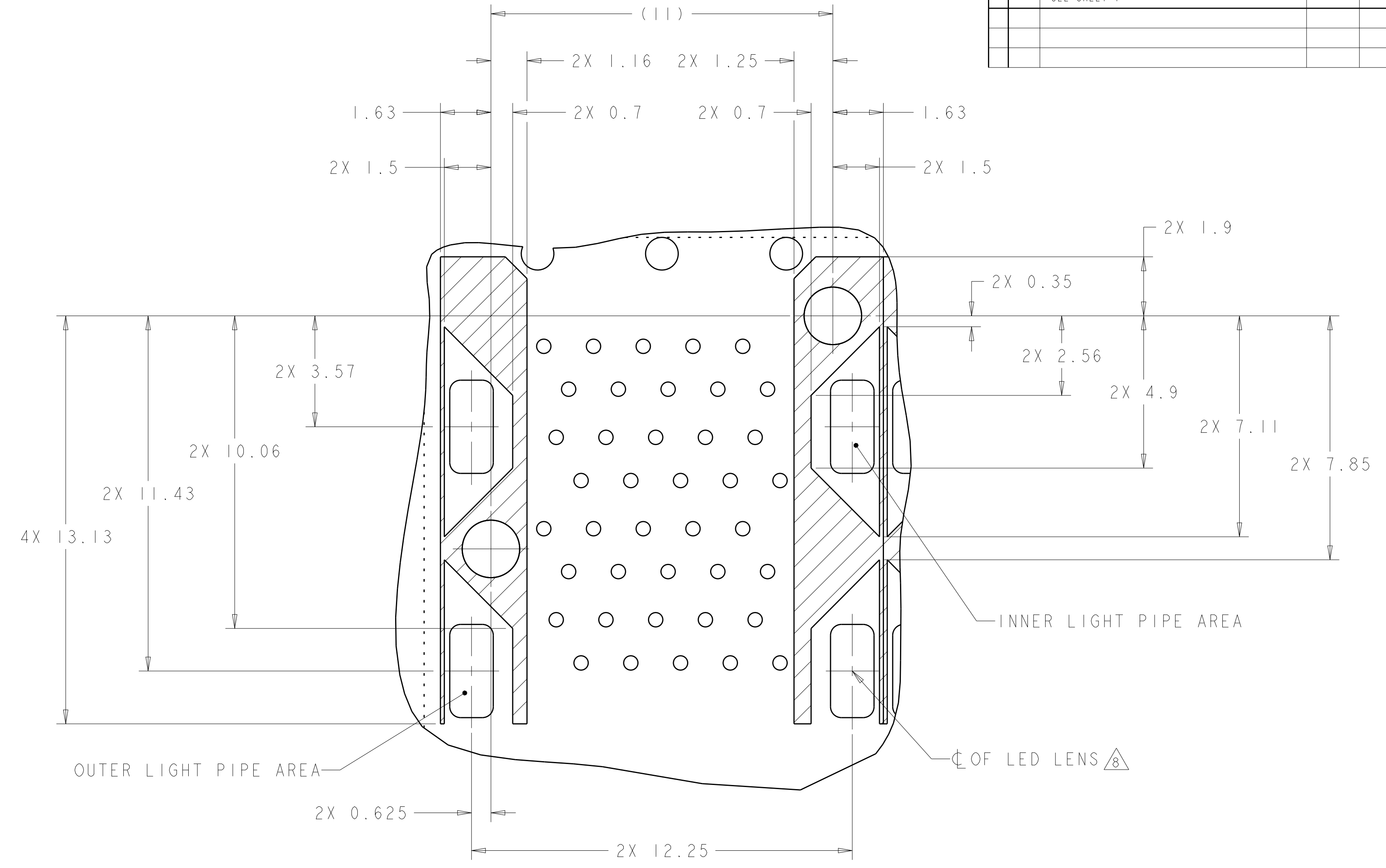
THIS DRAWING IS A CONTROLLED DOCUMENT.		OWN C. VALENTINE 10DEC2010	TE Connectivity
DIMENSIONS: mm		CHK P. RECCE 10DEC2010	
TOLERANCES UNLESS OTHERWISE SPECIFIED:		APVD P. RECCE 10DEC2010	NAME CAGE AND PT CONNECTOR ASSEMBLY, WITH EMI GASKET, PRESS FIT, 2X5, STACKED SFP+
0 PLC ±0.10	1 PLC ±0.10	PRODUCT SPEC 108-2331	SIZE A100779C=2169678
2 PLC ±0.10	3 PLC ±0.10	APPLICATION SPEC 114-13219	RESTRICTED TO
4 PLC ±0.10	ANGLES ±°	WEIGHT	SCALE 4:1 SHEET 3 OF 4 REV B
MATERIAL	FINISH	CUSTOMER DRAWING	



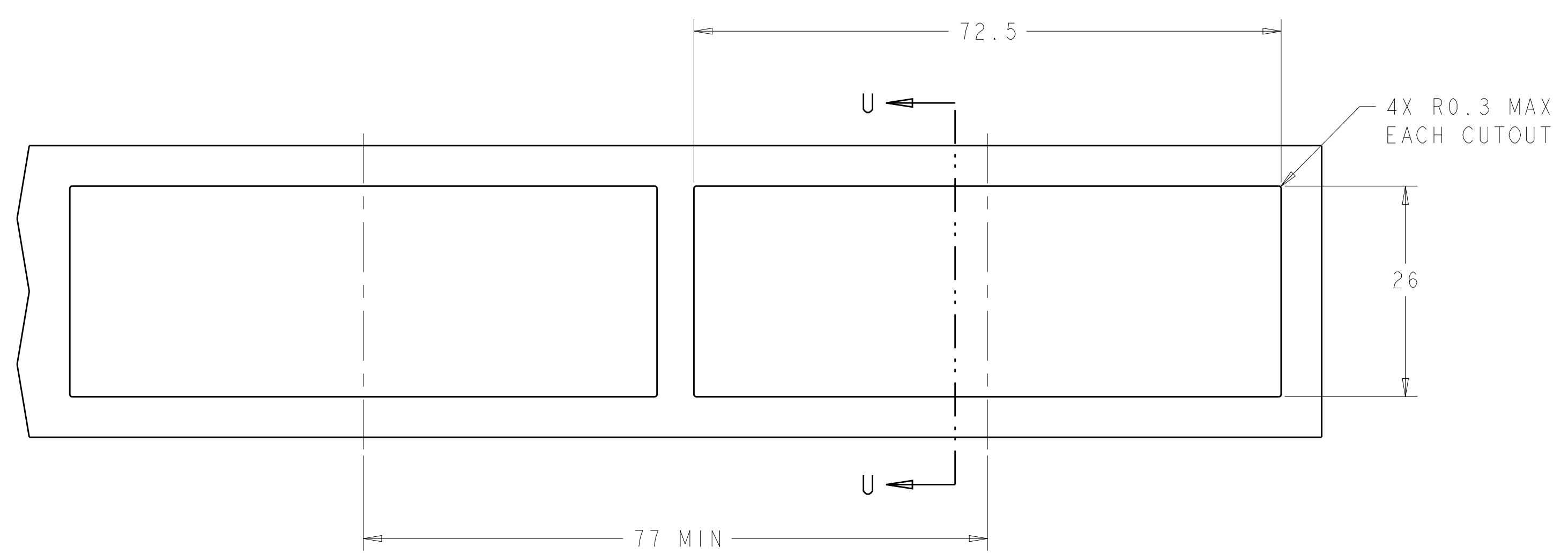
REVISIONS				
P.	LTN.	DESCRIPTION	DATE	APVD.
-	-	SEE SHEET 1	-	-



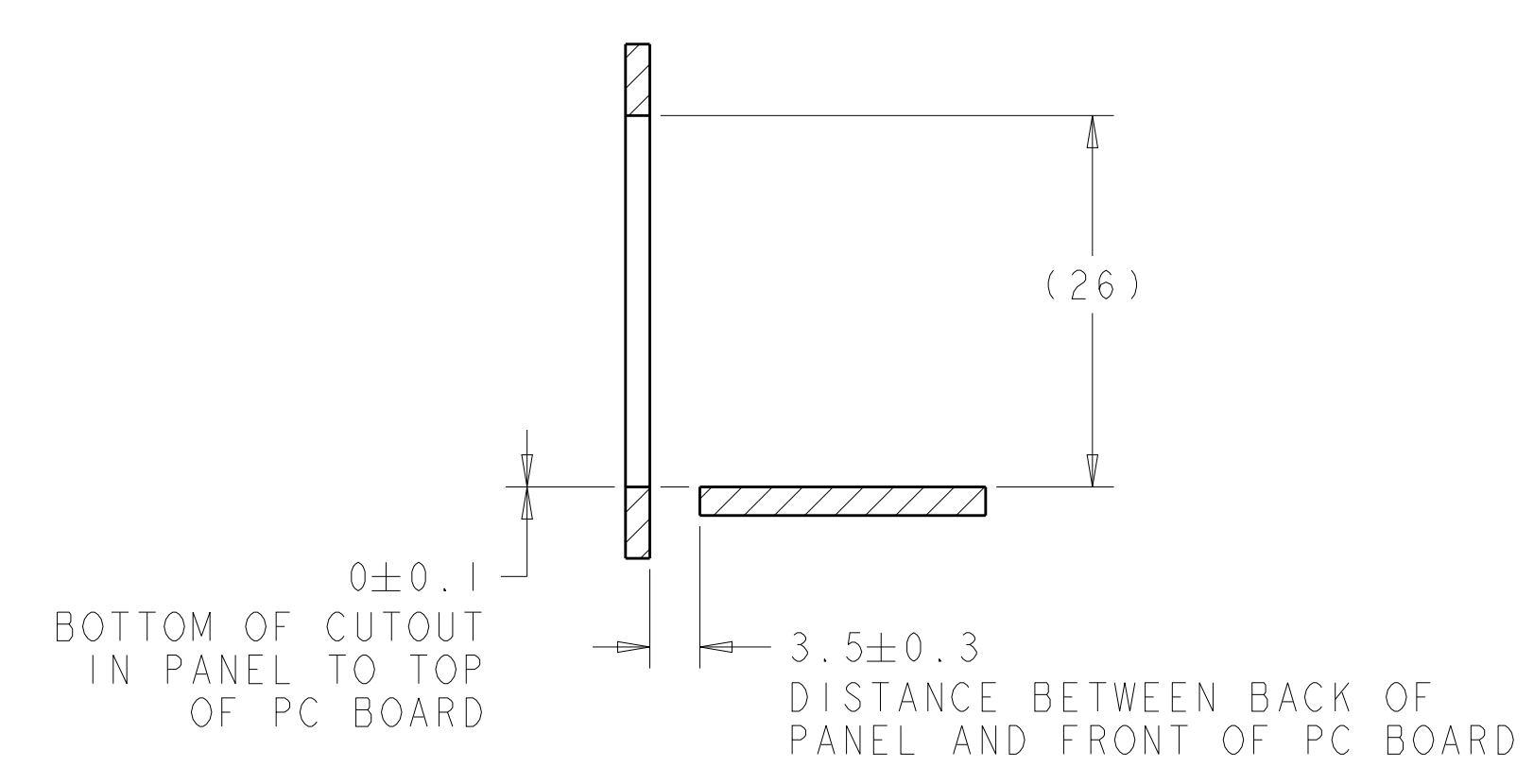
DETAIL F  
5X INDIVIDUALLY  
SCALE 10:1



DETAIL G  
CONNECTOR HOUSING  
KEEPOUT ZONE  
5X INDIVIDUALLY  
SCALE 10:1



RECOMMENDED PANEL CUTOUT  
AND PC BOARD, PANEL POSITION  
SCALE 2:1



SECTION U-U

THIS DRAWING IS A CONTROLLED DOCUMENT.		OWN C. VALENTINE CHK P. RECCE APVD P. RECCE	10DEC2010 10DEC2010	TE Connectivity NAME CAGE AND PT CONNECTOR ASSEMBLY, WITH EMI GASKET, PRESS FIT, 2X5, STACKED SFP+
DIMENSIONS:	TOLERANCES UNLESS OTHERWISE SPECIFIED:	PRODUCT SPEC 108-2331	APPLICATION SPEC 114-13219	
mm	0 PLC ±0.10 1 PLC ±0.10 2 PLC ±0.10 3 PLC ±0.10 4 PLC ±0.10 ANGLES ±°	FINISH	WEIGHT	SCALE 4:1
MATERIAL				SHEET 4 OF 4
				REV B

单击下面可查看定价，库存，交付和生命周期等信息

[>>TE Connectivity\(泰科\)](#)