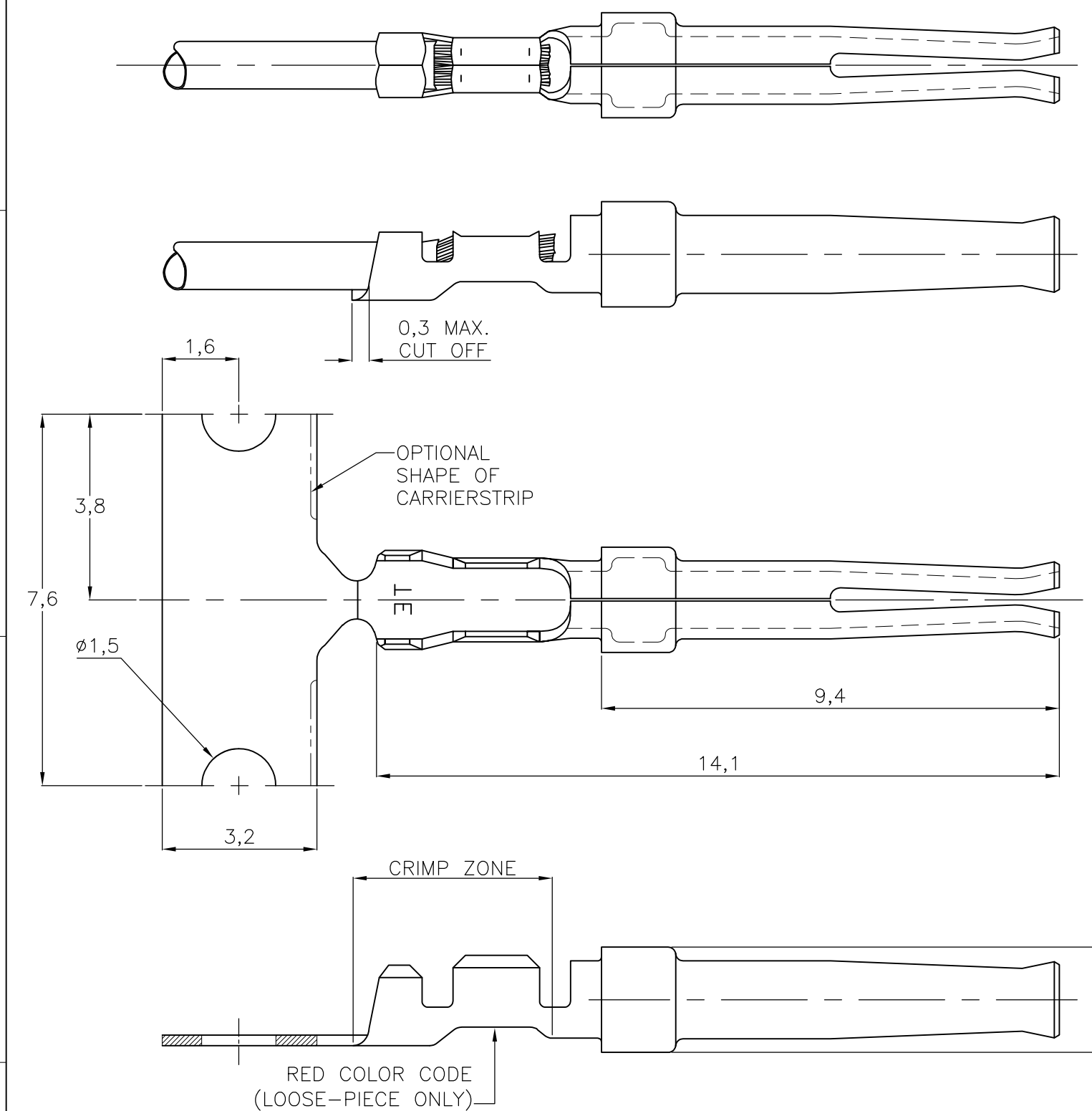


THIS DRAWING IS UNPUBLISHED. RELEASED FOR PUBLICATION
 © COPYRIGHT - By - ALL RIGHTS RESERVED.

| LOC | DIST | REVISIONS | | | | | |
|-----|------|-----------|-----|---------------------------|-----------|-----|------|
| GP | 00 | P | LTR | DESCRIPTION | DATE | DWN | APVD |
| | | N | | REVISED PER ECO-11-020101 | 10APR2012 | CJV | CWR |

NOTES:

- 1 FOR MINI-APPLICATOR-12500 PCS REEL.
- 2 FOR REEL-FEED HAND TOOLING-500 PCS REEL.
- 3 FOR HAND TOOLING- LOOSE PIECE.
- 4. MATERIAL: PHOSPHORBRONZE.
- 5 FINISH:
 - Ni UNDERPLATING ALL OVER.
 - CONTACT AREA PLATING MEETS IEC-807-3 PERFORMANCE LEVEL 2.
 - CRIMP ZONE Sn PLATED.

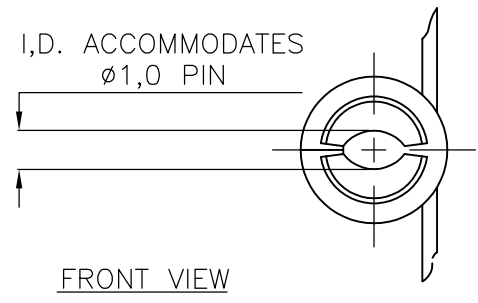


WIRE RANGE: 24-20 AWG(0,56-0,20mm²)
 INSUL. RANGE: 1,27-1,52 DIA

| | | | |
|------------------|---------------|-----------------------------|---------------|
| 5 | 166291-1 | 5-166051-1 | 166051-1 |
| FINISH | LOOSE-PIECE 3 | PART NUMBER 2 | PART NUMBER 1 |
| DWN | - | TE Connectivity | |
| CHK | 21AUG08 | | |
| APVD | T.MALCZYK | NAME | |
| APVD | T.DE BOER | SOCKET CONTACT, SIZE 20 DF. | |
| PRODUCT SPEC | 108-40005 | - | |
| APPLICATION SPEC | 114-10000 | SIZE | CAGE CODE |
| WEIGHT | - | A3 | 00779 |
| CUSTOMER DRAWING | | DRAWING NO | RESTRICTED TO |
| | | C-166051 | - |
| | | SCALE | SHEET |
| | | NTS | 1 OF 1 |
| | | REV | N |

THIS DRAWING IS A CONTROLLED DOCUMENT.
 DIMENSIONING AND TOLERANCING PER ASME Y14.5M-2009

| DIMENSIONS: | TOLERANCES UNLESS OTHERWISE SPECIFIED: |
|-------------|--|
| mm | |
| 0 PLC | ± - |
| 1 PLC | ± 0,127 |
| 2 PLC | ± - |
| 3 PLC | ± - |
| 4 PLC | ± - |
| ANGLES | ± - |
| MATERIAL | FINISH |
| - | - |



单击下面可查看定价，库存，交付和生命周期等信息

[>>TE Connectivity\(泰科\)](#)

[>>点击查看相关商品](#)