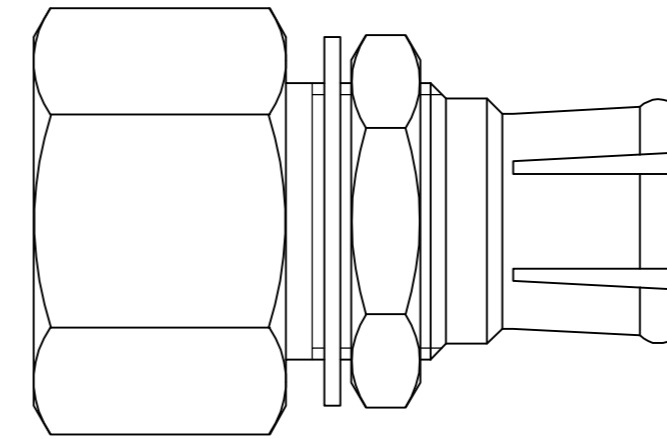
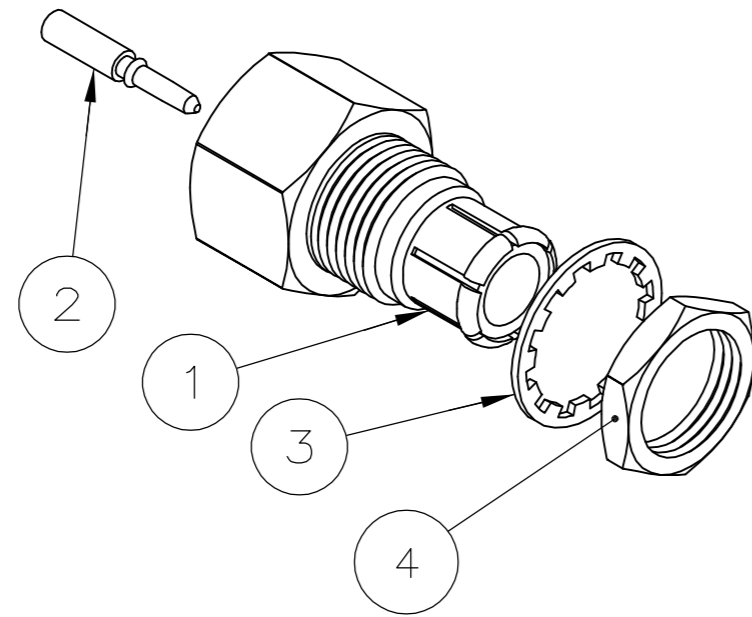


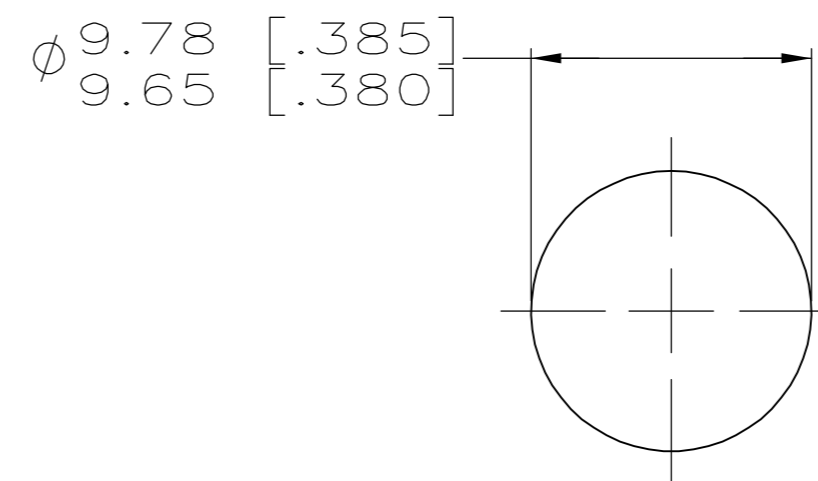
THIS DRAWING IS UNPUBLISHED. RELEASED FOR PUBLICATION
 © COPYRIGHT BY TYCO ELECTRONICS CORPORATION. ALL RIGHTS RESERVED.

LOC	DIST	REVISIONS			
P	LTR	DESCRIPTION	DATE	DWN	APVD
DF	A0				
0		REV PER 0H14-0414-04	7-04	CT	FB

- 1. PARTS INDIVIDUALLY PACKAGED
- 2. 2.11 [.083] MAX PANEL THICKNESS



ASSEMBLED VIEW



RECOMMENDED PANEL CUTOUT

7.14 [.281]	RG-58/U	222724-2	1-329492-1	221268-2	222729-1	1663751-1
DIM A	FOR USE WITH CABLE	④ JAM NUT QTY=1	③ LOCK WASHER QTY=1	② CONTACT QTY=1	① PLUG ASSEMBLY QTY=1	PART NUMBER

THIS DRAWING IS A CONTROLLED DOCUMENT.

DWN	C.C.THOMAS	7-19-04
CHK	F.BLASICK	7-19-04
APVD	F.BLASICK	7-19-04
PRODUCT SPEC		
APPLICATION SPEC		
WEIGHT	-	
CUSTOMER DRAWING		

tyco Electronics
 Tyco Electronics Corporation
 Harrisburg, Pa 17105-3608

NAME: PLUG, PUSH-ON, 50 OHM, CAT A, BNC

SIZE	CAGE CODE	DRAWING NO	RESTRICTED TO
A2	00779	C=1663751	-

SCALE: 4:1 SHEET 1 OF 1 REV 0

单击下面可查看定价，库存，交付和生命周期等信息

[>>TE Connectivity\(泰科\)](#)