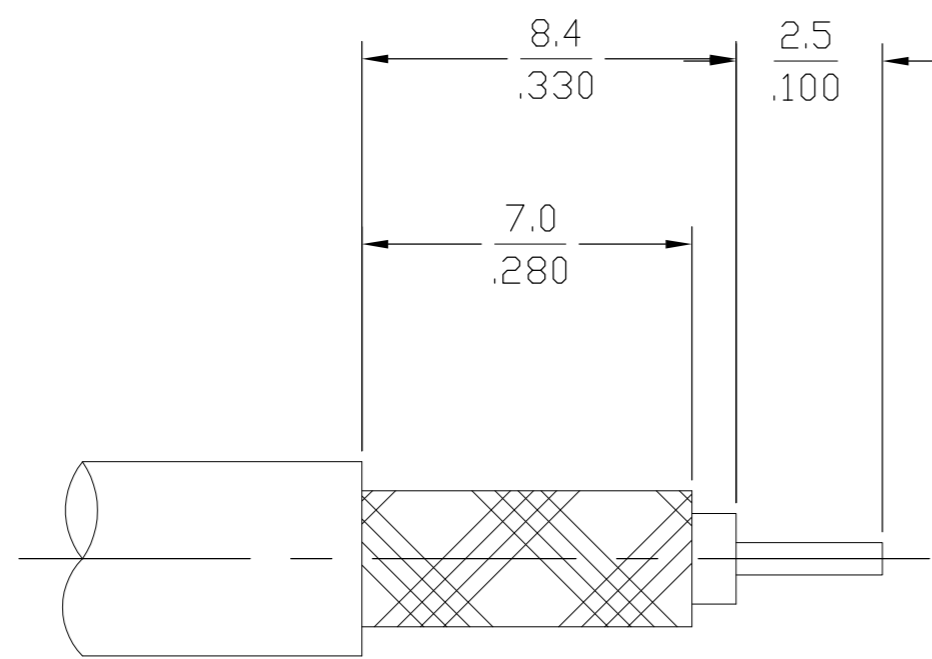
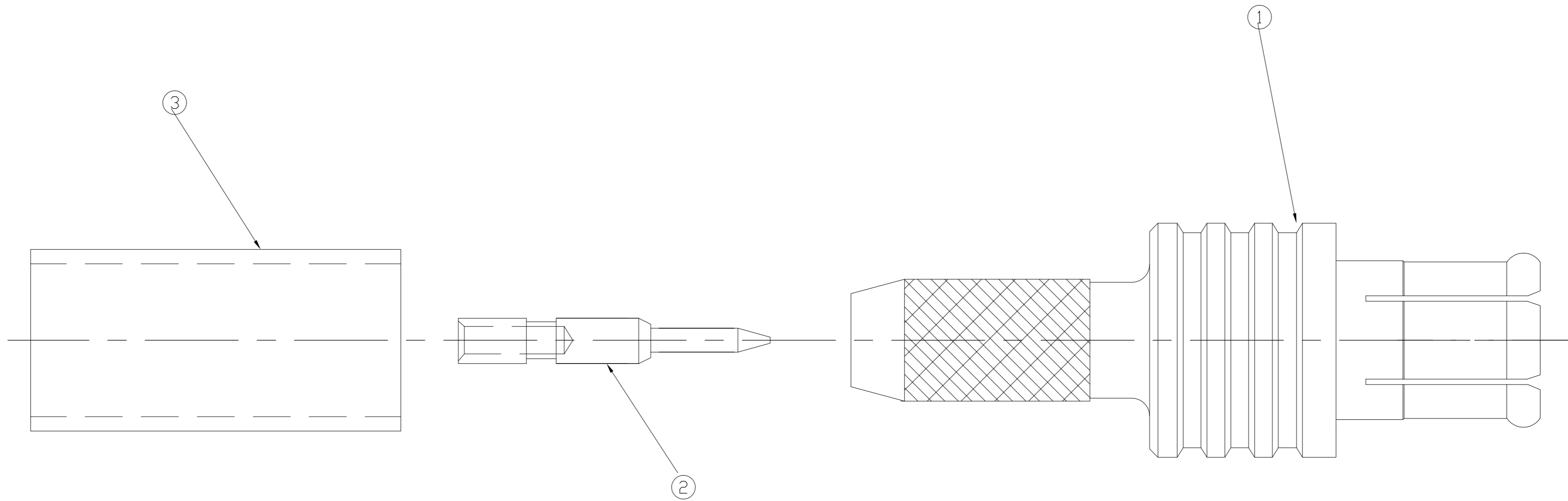


THIS DRAWING IS UNPUBLISHED. RELEASED FOR PUBLICATION  
 © COPYRIGHT BY TYCO ELECTRONICS CORPORATION. ALL RIGHTS RESERVED.

LOC	DIST	REVISIONS			
P	LTR	DESCRIPTION	DATE	DWN	APVD
AJ	00				
	C	REV PER ECO 08-007172	26MAR2008	DW	JL



RECOMMENDED STRIP LENGTH

RD316/U	3-413889-2	1408060-2	1408063-1	1060875-2
RD316/U	2-413889-7	1408060-2	1408063-2	1060875-1
CABLE SIZE	FERRULE (3) QTY=1	CONTACT (2) QTY=1	PLUG ASSEMBLY (1) QTY=1	PART NUMBER

THIS DRAWING IS A CONTROLLED DOCUMENT.		DWN	05APR2007	
DIMENSIONS: INCHES		CHK	-	
TOLERANCES UNLESS OTHERWISE SPECIFIED:		APVD	-	
0 PLC ± -		PRODUCT SPEC	-	
1 PLC ± -		APPLICATION SPEC	-	
2 PLC ± -		408-10131	SIZE	A2
3 PLC ± -		WEIGHT	CAGE CODE	00779
4 PLC ± -		FINISH	DRAWING NO	C=1060875
ANGLES ± -			RESTRICTED TO	-
MATERIAL -		CUSTOMER DRAWING		
		SCALE	10:1	SHEET 1 of 1
		REV	C	

**Tyco Electronics** Tyco Electronics Corporation  
Harrisburg, PA 17105-3608

MCX CABLE PLUG,  
CRIMP ATTACHMENT

1060875

单击下面可查看定价，库存，交付和生命周期等信息

[>>TE Connectivity\(泰科\)](#)