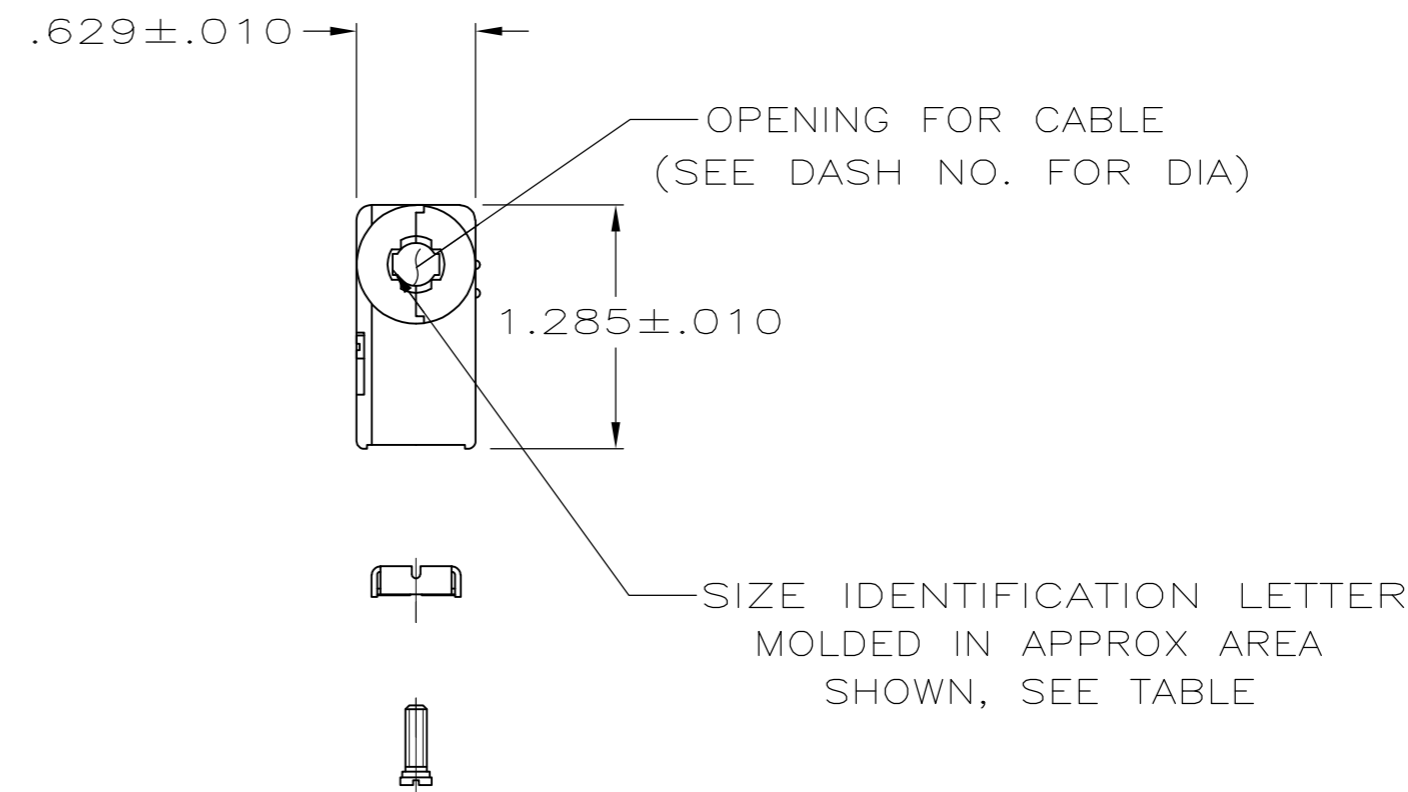
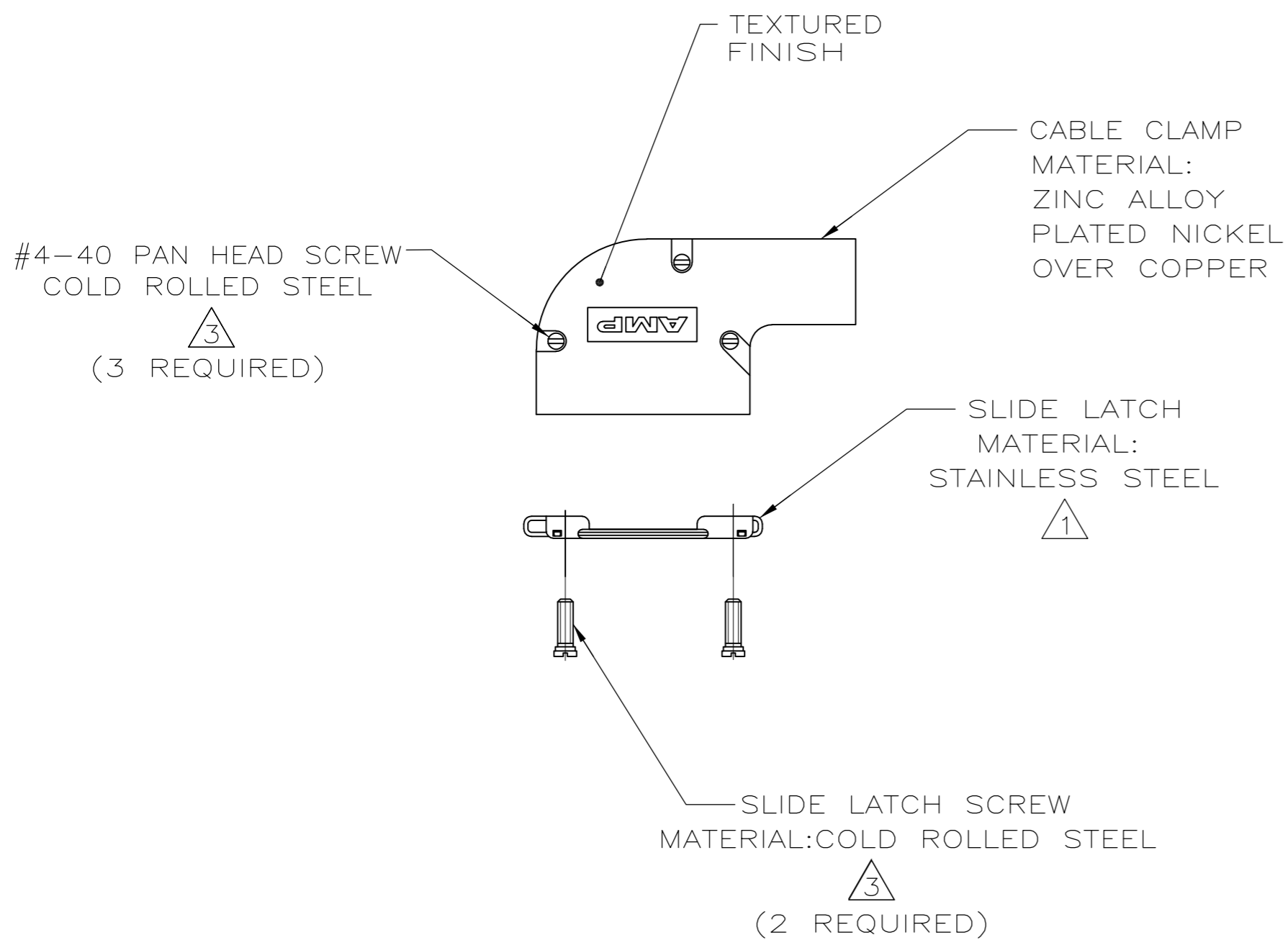
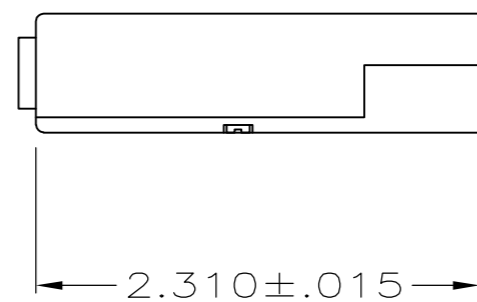


THIS DRAWING IS UNPUBLISHED. RELEASED FOR PUBLICATION
 © COPYRIGHT - By - ALL RIGHTS RESERVED.

LOC	DIST	REVISIONS			
P	LTR	DESCRIPTION	DATE	DWN	APVD
GP	00	R	REVISED PER ECO-16-000053	18JAN2016	AP DG



- 1 KIT INCLUDES SLIDE LATCH & SCREWS.
- 2. ALL PARTS PACKAGED UNASSEMBLED.
- 3 ZINC PLATED .000200-.000400 THICK, CLEAR CHROMATE COATING.

B	.225	5745652-4
E	.300	5745652-3
H	.375	5745652-2
K	.430	5745652-1
NECK IDENT	CABLE DIA	PART NO.

**COPYRIGHT 2005
 TE CONNECTIVITY CORP
 ALL RIGHTS RESERVED**

THIS DRAWING IS A CONTROLLED DOCUMENT.		DWN	D. HENNY	8-13-05	 TE Connectivity																		
DIMENSIONS: INCHES		CHK	C. ROHDE	8-13-05																			
TOLERANCES UNLESS OTHERWISE SPECIFIED:		APVD	M. WALMSLEY	8-13-05																			
<table border="1"> <tr><td>0 PLC</td><td>±</td><td>-</td></tr> <tr><td>1 PLC</td><td>±</td><td>-</td></tr> <tr><td>2 PLC</td><td>±</td><td>-</td></tr> <tr><td>3 PLC</td><td>±</td><td>.005</td></tr> <tr><td>4 PLC</td><td>±</td><td>-</td></tr> <tr><td>ANGLES</td><td>±</td><td>-</td></tr> </table>		0 PLC	±	-		1 PLC	±	-	2 PLC	±	-	3 PLC	±	.005	4 PLC	±	-	ANGLES	±	-	PRODUCT SPEC	NAME	
0 PLC	±	-																					
1 PLC	±	-																					
2 PLC	±	-																					
3 PLC	±	.005																					
4 PLC	±	-																					
ANGLES	±	-																					
MATERIAL: SEE CALLOUTS		FINISH	SEE CALLOUTS		WEIGHT	-	SIZE	A2	CAGE CODE	00779	DRAWING NO	C=5745652	RESTRICTED TO	-									
CUSTOMER DRAWING		SCALE		1:1	SHEET		1 of 1	REV		R													

单击下面可查看定价，库存，交付和生命周期等信息

[>>TE Connectivity\(泰科\)](#)