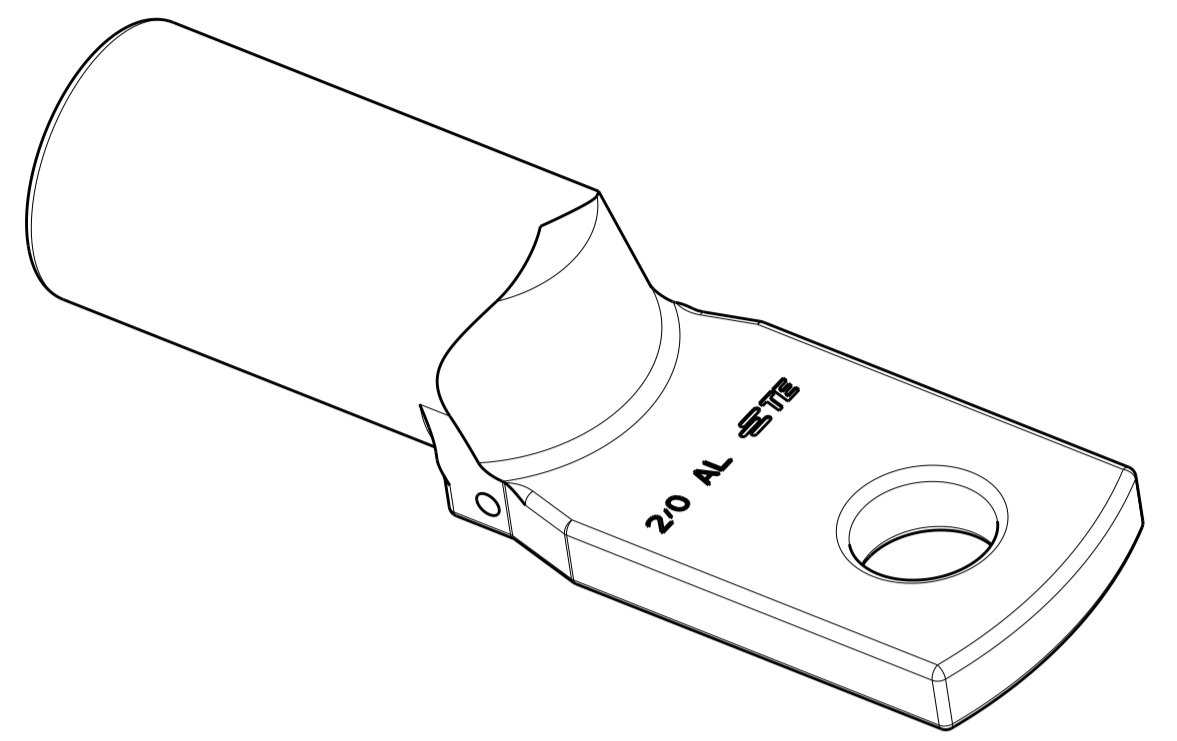
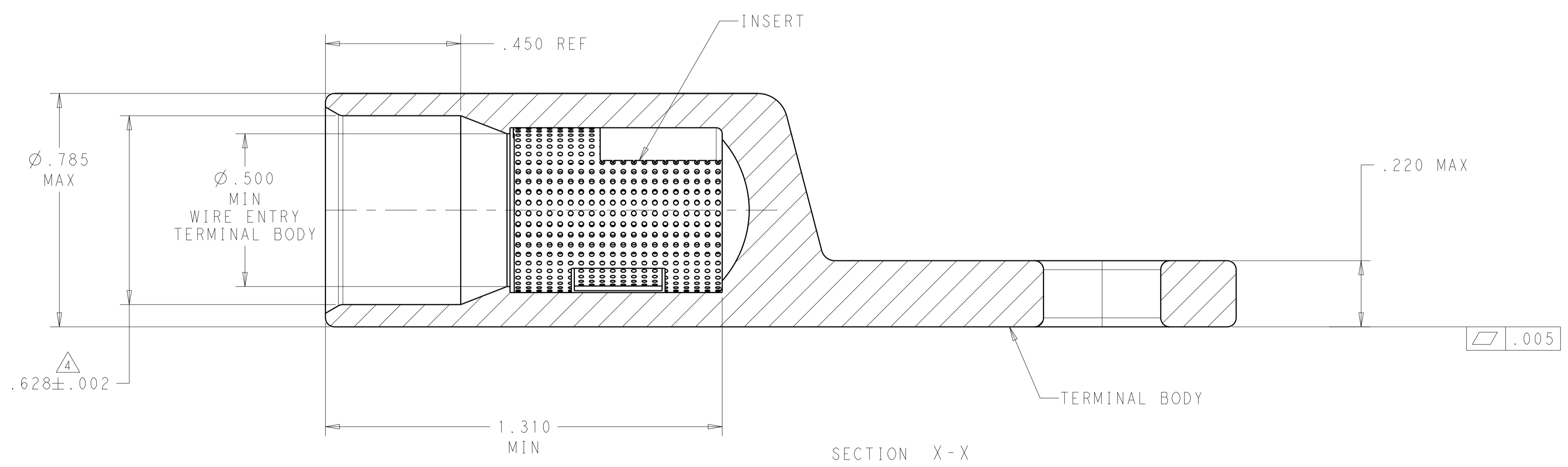
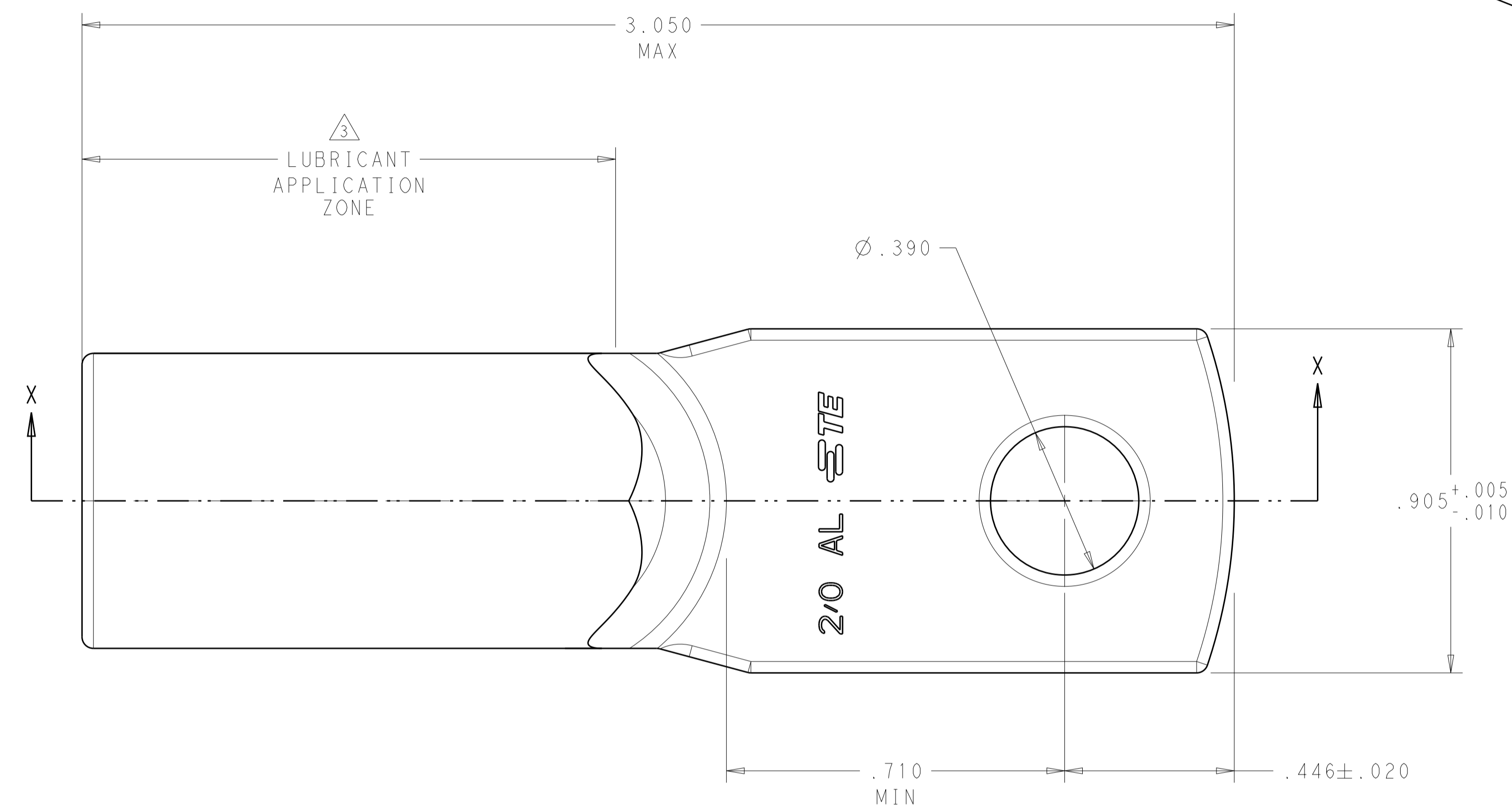


1. MATERIAL:
 BODY: ALUMINUM PER ASTM B317
 INSERT: BRASS PER ASTM B36
2. FINISH:
 BODY: .000600 MIN MATTE TIN PER ASTM B545
 OVER .000060 MIN NICKEL PER ASTM B733.
 INSERT: .000150 MIN MATTE NICKEL PER QQ-N-290
3. PTFE DRY LUBRICANT 360 DEGREE ON OUTER DIAMETER OF CRIMP BARREL IN ZONE SHOWN.
4. WIRE INSULATION RANGE: .490-.574.
5. SEE TE CONNECTIVITY APPLICATION SPEC. 114-32098 FOR APPLICATION REQUIREMENTS.
6. SEE TE CONNECTIVITY INSTRUCTION SHEET 408-32087 FOR TOOLING AND CRIMP INSTRUCTIONS, FIGURE 3 FOR WIRE STRIPPING DETAIL.

REVISIONS				
P.	LTN	DESCRIPTION	DATE	APP'D
C		REV PER ECO 19-019314	2-27-20	CT PD



SCALE 2:1



2102573-1
 PART NUMBER

THIS DRAWING IS A CONTROLLED DOCUMENT.		DWN: D. FABIAN 15NOV2011	
DIMENSIONS: IN		CHK: DEROCK, KIM 28NOV2012	
TOLERANCES UNLESS OTHERWISE SPECIFIED:		APVD: DEROCK, KIM 28NOV2012	NAME: ASSEMBLY, ALUMINUM TERMINAL, STRAIGHT, SINGLE HOLE, 2/0
0 PLC ±.1	1 PLC ±.01	PRODUCT SPEC	SIZE: CAGE CODE DRAWING NO
2 PLC ±.005	3 PLC ±.005	APPLICATION SPEC	RESTRICTED TO
4 PLC ±.0005	ANGLES ±1°	WEIGHT	A 100779 C=2102573
MATERIAL: SEE CALL-OUT	FINISH: SEE CALL-OUT	CUSTOMER DRAWING	SCALE 4:1 SHEET 1 OF 1 REV C

单击下面可查看定价，库存，交付和生命周期等信息

[>>TE Connectivity\(泰科\)](#)