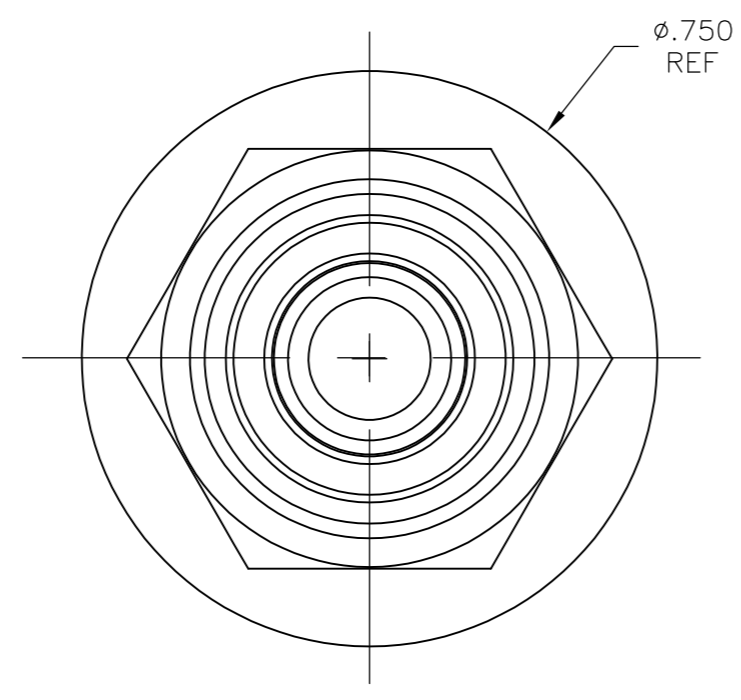
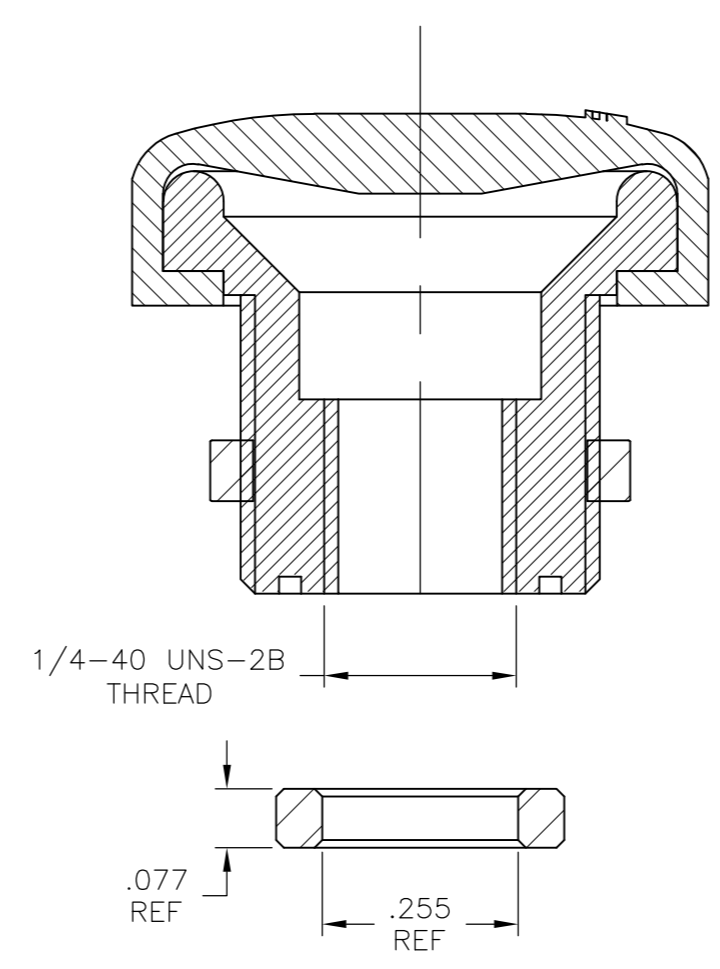
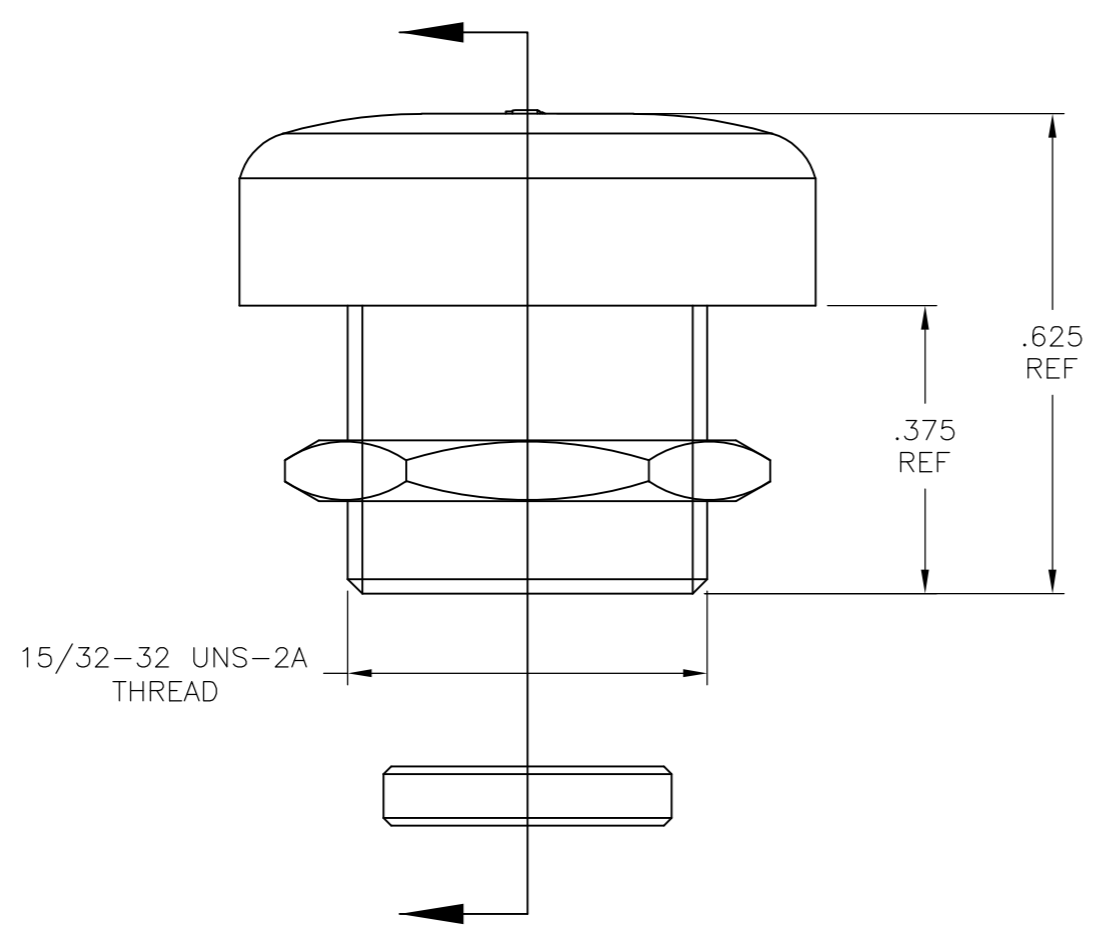
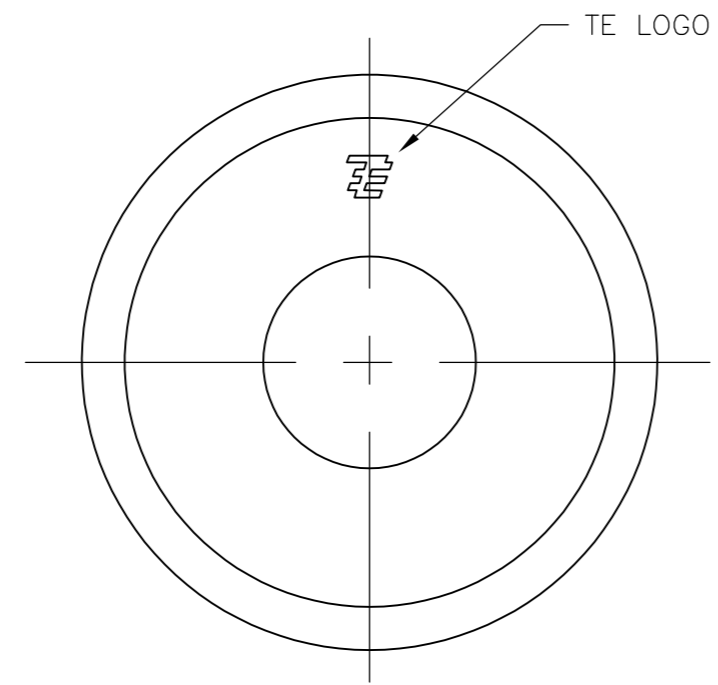


THIS DRAWING IS UNPUBLISHED. RELEASED FOR PUBLICATION
 © COPYRIGHT - By - ALL RIGHTS RESERVED.

LOC		DIST		REVISIONS			
P	LTR	DESCRIPTION	DATE	DWN	APVD		
C		REVISED PER ECO-12-004223	02MAR12	KH	PO		

- COMPONENTS MUST COMPLY WITH EUROPEAN DIRECTIVE 2002/95/EC ON RESTRICTION OF THE USE OF CERTAIN HAZARDOUS SUBSTANCES IN ELECTRICAL AND ELECTRONICS EQUIPMENT (ROHS DIRECTIVE).
- SUPPLIED WITH JAM NUT ASSEMBLED AND SPACER IN PACKAGE BAG.



BPM1532804	GRAY	SILICONE PER ZZ-R-765, CLASS 3A, GRADE 60	1825618-3
BPM1532204	RED	SILICONE PER ZZ-R-765, CLASS 3A, GRADE 60	1825618-2
BPM1532004	BLACK	SILICONE PER ZZ-R-765, CLASS 3A, GRADE 60	1825618-1

ALCO NUMBER	CAP COLOR	CAP MATERIAL	PART NUMBER
-------------	-----------	--------------	-------------

THIS DRAWING IS A CONTROLLED DOCUMENT.

DWN	S SCHLEGEL	22FEB2008
CHK	M WILBOURN	2/22/08
APVD	M WILBOURN	2/22/08

TE TE Connectivity

NAME: BPM PUSHBUTTON SWITCH SEAL

SIZE	CAGE CODE	DRAWING NO	RESTRICTED TO
A2	00779	C=1825618	-

CUSTOMER DRAWING SCALE: 4:1 SHEET 1 of 1 REV C

单击下面可查看定价，库存，交付和生命周期等信息

[>>TE Connectivity\(泰科\)](#)