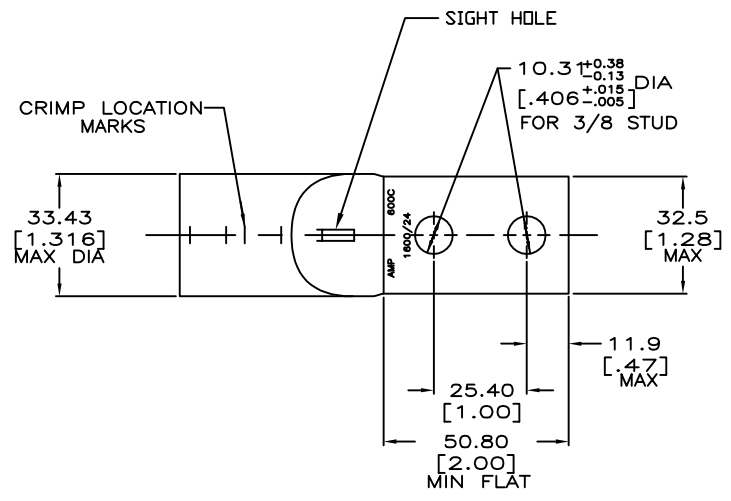
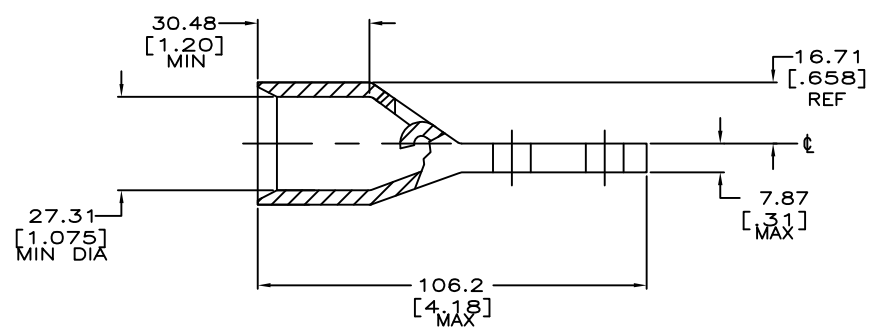


THIS DRAWING IS UNPUBLISHED. RELEASED FOR PUBLICATION
 © COPYRIGHT - By - ALL RIGHTS RESERVED.

LOC		DIST		REVISIONS				
P	LR	DESCRIPTION	DATE	DM	APD			
G	86	F	REV PER ECR-13-007004	25APR2013	PK	HK		



- ① TIN PL 0.00381[.000150] MIN THK PER MIL-T-10727
- 2 CIRCULAR MIL RANGE: 550-650 MCM
- ③ COPPER PER ASTM B-75, ANNEALED



REQUIRED	①	276918-3
NONE	①	276918-1
SIGHT HOLE	FINISH	PART NO.

THIS DRAWING IS A CONTROLLED DOCUMENT.		DWG DK SCHRUM 10/15/91		TE Connectivity	
		CHK AJ KAUFMAN 10/16/91			
DIMENSIONS: MM [INCHES]		TOLERANCES UNLESS OTHERWISE SPECIFIED:		APD WJ VOCKROTH 10/16/91 NAME	
		0 PLC ± - 1 PLC ± - 2 PLC ± 0.51[.020] 3 PLC ± - 4 PLC ± -		PRODUCT SPEC - APPLICATION SPEC - FINISH -	
MATERIAL		FINISH		SIZE CAGE CODE DRAWING NO RESTRICTED TO A2 00779 C=276918 -	
- ③		SEE TABLE		WEIGHT - CUSTOMER DRAWING SCALE 1:1 SHEET 1 of 1 REV F	

单击下面可查看定价，库存，交付和生命周期等信息

[>>TE Connectivity\(泰科\)](#)