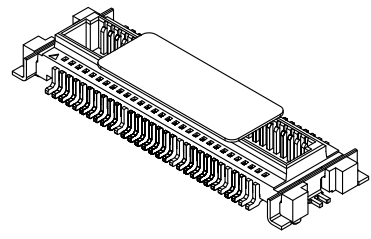
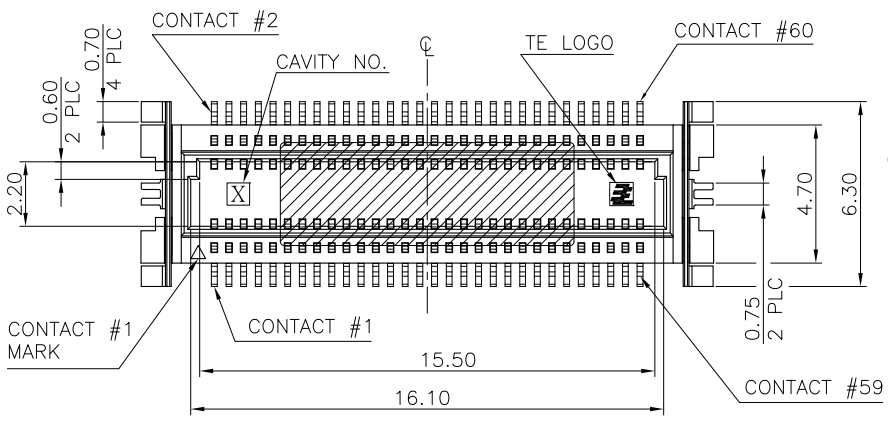
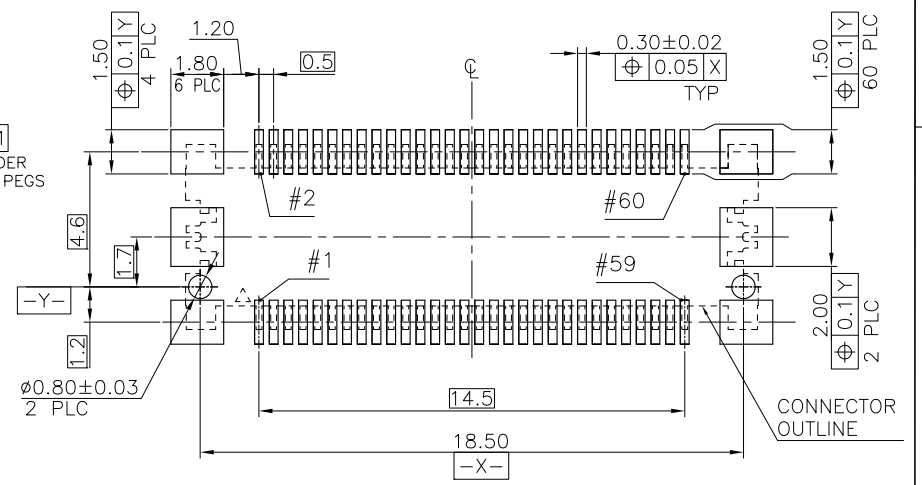
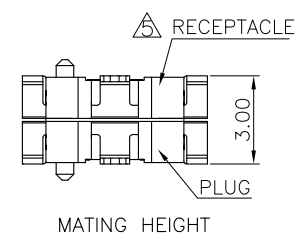
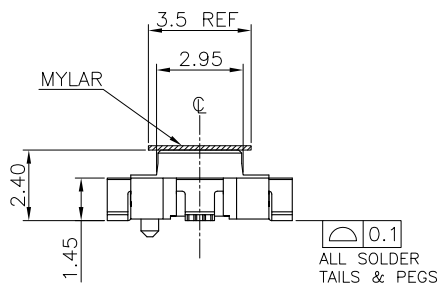
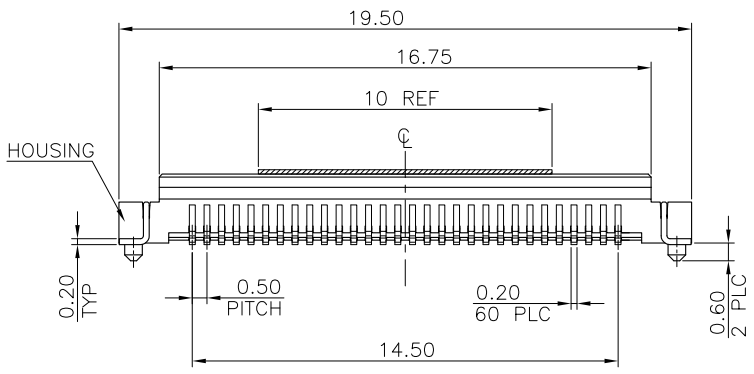


THIS DRAWING IS UNPUBLISHED. RELEASED FOR PUBLICATION
 © COPYRIGHT 2010 BY TYCO ELECTRONICS CORPORATION. ALL RIGHTS RESERVED.

LOC		DIST		REVISIONS					
DW		-		P	LTR	DESCRIPTION	DATE	DWN	APVD
				B		ECR-13-001067	18JAN13	AW	WK



- NOTES:
- MATERIAL:
 HOUSING: LCP WITH 35% GF, UL94 V-0, NATURAL COLOR.
 CONTACTS: PHOSPHOR BRONZE.
 PEGS: BRASS.
 MYLAR: POLYSTYRENES, ORANGE COLOR.
 - FINISH:
 CONTACTS: 0.0254µm [1µ"] MIN. GOLD PLATED OVER 1.27µm [50µ"] MIN. NICKEL ON ENTIRE CONTACT.
 PEGS: 3.05µm [120µ"] MIN. MATTE-TIN OVER 1.27µm [50µ"] MIN. NICKEL.
 - REFLOW SOLDER CAPABLE TO 260°C PER TEC-109-201, CONDITION B.
 - SUBSTANCE RESTRICTIONS FOR LOW HALOGEN (BY WEIGHT):
 BROMINE (Br) ≤ 900 PPM (0.09%)
 CHLORINE (Cl) ≤ 900 PPM (0.09%)
 TOTAL CONCENTRATION OF CHLORINE (Cl) + BROMINE (Br) ≤ 1500 PPM (0.15%)
- ⚠ MATING RECEPTACLE PART NUMBER: 2041315-1.



TOLERANCE: ±0.05
 RECOMMENDED PCB LAYOUT
 (TOP VIEW)

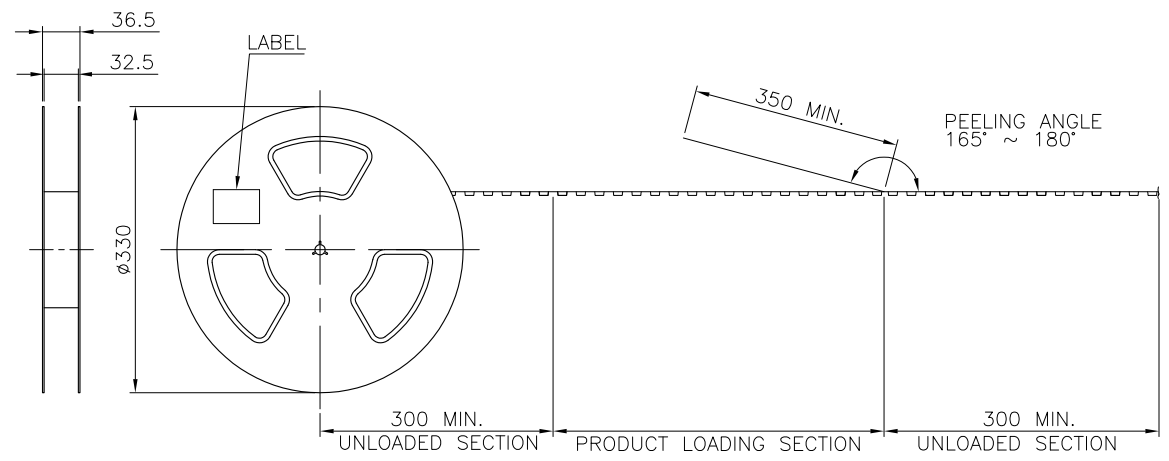
2041314-1
 PART NUMBER

THIS DRAWING IS A CONTROLLED DOCUMENT.		DWN	A. WU	02NOV2010	TE Connectivity
		CHK	S. CHIEN	02NOV2010	
		APVD	W. KODAMA	02NOV2010	NAME 0.5 PITCH BOARD-TO-BOARD CONNECTOR, SMT, 60 POSITION, PLUG
		PRODUCT SPEC	108-57849		
		APPLICATION SPEC	-		SIZE CAGE CODE DRAWING NO RESTRICTED TO WEIGHT 0.35 GRAMS A3 00779 C=2041314 - CUSTOMER DRAWING SCALE SHEET 1 of 2 REV B
		MATERIAL	SEE NOTE	FINISH	

DIMENSIONS:	TOLERANCES UNLESS OTHERWISE SPECIFIED:
MM	
0 PLC	±0.5
1 PLC	±0.3
2 PLC	±0.2
3 PLC	±0.15
4 PLC	±0.1
ANGLES	± 3'

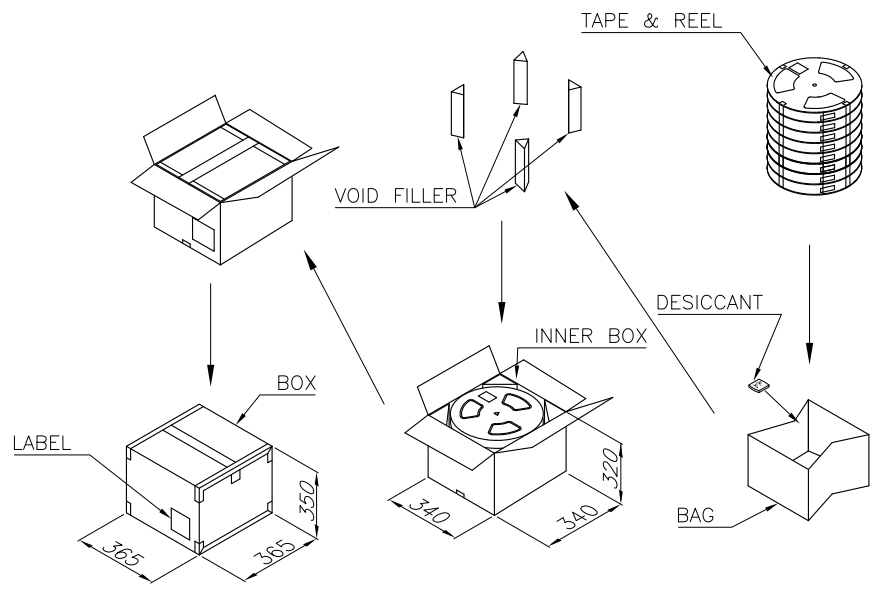
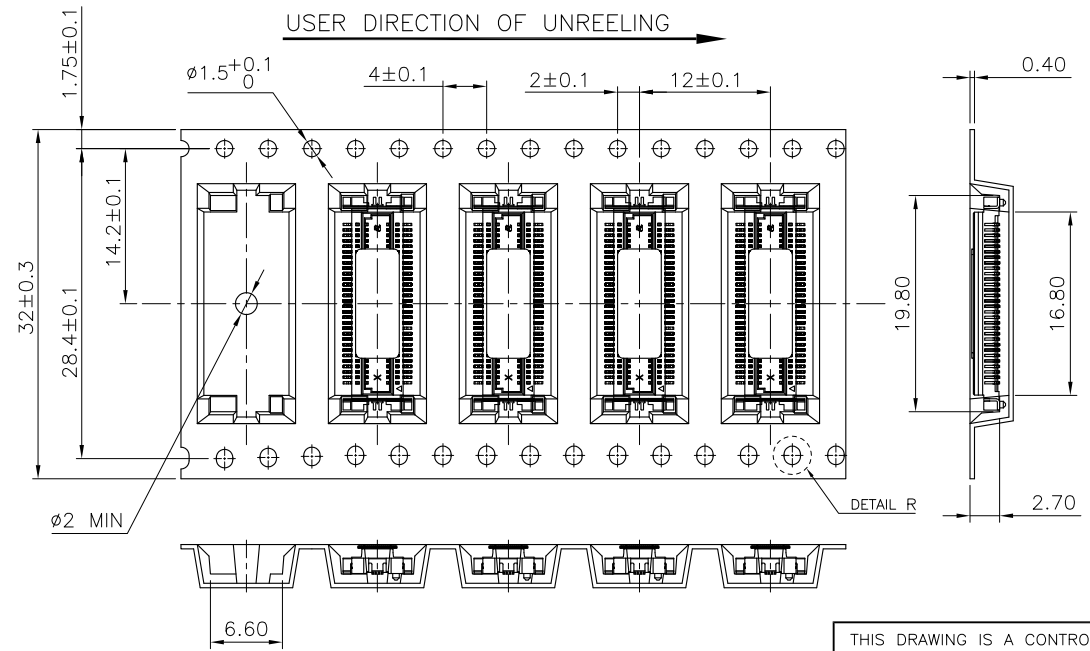
THIS DRAWING IS UNPUBLISHED. RELEASED FOR PUBLICATION
 © COPYRIGHT 2010 BY TYCO ELECTRONICS CORPORATION. ALL RIGHTS RESERVED.

LOC	DIST	REVISIONS					
DW	-	P	LTR	DESCRIPTION	DATE	DWN	APVD
				SEE SHEET 1.			

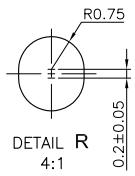


NOTES:

- MATERIAL:
 BOX: FIBREBOARD, CORRUGATED, DOUBLE WALL.
 COVER TAPE: PET, TRANSPARENT COLOR.
 CARRIER TAPE: POLYSTYRENES, TRANSPARENT COLOR.
 REEL: HIPS, BLUE COLOR.
 BAG: POLYETHYLENES, TRANSPARENT COLOR.
- EACH BAG SHALL BE INCLUDED DESICCANT.
- PEELING STRENGTH: 0.1 ~ 1.3 N (10 ~ 130 GRAMS).
- PEELING SPEED: 300 mm/min.



1500	8	12000 PCS	8.80 KG	4.20 KG
PCS/TAPE	REELS/BOX	QUANTITY	GROSS WEIGHT	NET WEIGHT



THIS DRAWING IS A CONTROLLED DOCUMENT.

DWN	A. WU	02NOV2010	TE Connectivity 0.5 PITCH BOARD-TO-BOARD CONNECTOR, SMT, 60 POSITION, PLUG				
CHK	S. CHIEN	02NOV2010					
APVD	W. KODAMA	02NOV2010					
NAME							
PRODUCT SPEC			SIZE	CAGE CODE	DRAWING NO	RESTRICTED TO	
APPLICATION SPEC			A3	00779	C=2041314	-	
WEIGHT			CUSTOMER DRAWING		SCALE	SHEET	REV
			-	-	2 of 2	B	

单击下面可查看定价，库存，交付和生命周期等信息

[>>TE Connectivity\(泰科\)](#)